

## CROWN VICTORIA 2003-07

### SECTION INDEX

A/C /HEATER/VENTILATION.....	24
A/C REFRIGERANT CAPACITIES.....	24
ABS/BRAKES.....	26
AIR BAG SYSTEM.....	25
AIR CLEANER.....	29
BACK WINDOW.....	41
CENTER CONSOLE.....	33
CLEAR COAT IDENTIFICATION.....	23
COOLING.....	24
COWL & DASH.....	31
CRUISE CONTROL SYSTEM.....	26
ELECTRICAL.....	30
EMISSION SYSTEM.....	30
ENGINE OIL COOLER.....	24
ENGINE/TRANS.....	29
ENGINE/TRANS MOUNTS.....	29
EXHAUST.....	29
FRAME.....	26
FRONT BUMPER.....	23
FRONT DOOR.....	37
FRONT FENDER.....	25
FRONT LAMPS.....	23
FRONT SEAT.....	35
FRONT STEERING LINKAGE/GEAR.....	28
FRONT SUSPENSION.....	27
FUEL TANK.....	42
GRILLE.....	23
HOOD.....	24
INFORMATION LABELS.....	23
INSTRUMENT PANEL.....	32
LUGGAGE LID.....	41
PAINT CODE LOCATION.....	23
QUARTER PANEL.....	41
REAR BODY.....	43
REAR BUMPER.....	44
REAR DOOR.....	38
REAR LAMPS.....	43
REAR SEAT.....	36
REAR SUSPENSION.....	42
ROCKER/PILLARS/FLOOR.....	34
ROOF.....	40
SEAT BELTS.....	36
SPECIAL CAUTIONS.....	23
STEERING PUMP.....	28
STEERING WHEEL/COLUMN.....	28
SUNROOF.....	40
TRANS OIL COOLER.....	24
UNDERHOOD DIMENSIONS.....	25
WHEEL.....	26
WINDSHIELD.....	31

### SPECIAL CAUTIONS

#### AIR BAGS

Refer to Procedure Explanation 29 for Supplemental Restraint/Air Bag Special Cautions.

#### SUSPENSION

Manufacturer advises that some new fasteners must be used whenever old fasteners are loosened or removed.

#### PAINT CODE LOCATION

Paint code located on left front door jamb.

#### CLEAR COAT IDENTIFICATION

All colors are clear coat.

#### INFORMATION LABELS

Labels must be special ordered from dealer by vehicle name, serial number and application.

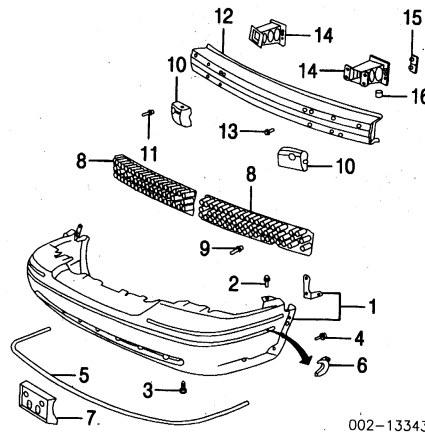
#### FRONT BUMPER

Use Procedure Explanations 1 and 28 with the following text.

Refinish Front Bumper Cover.....	2.8
R&I Bumper Assy.....	#1.2
R&I Bumper Cover.....	#1.0

O/H Bumper Assy (Includes R&I)..... #1.7  
 #Includes R&I/R&R Combination Lamps

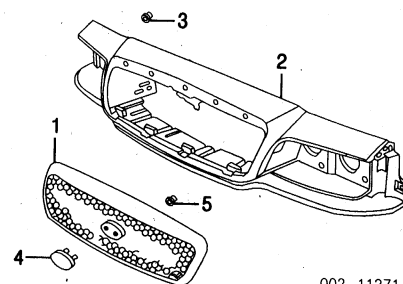
NOTE: All Parts in this section are included in overhaul unless noted otherwise.



1 Cover, Front (P)	03-05 3W7Z 17D957 CA	#1.4	390.73
	06-07 6W7Z 17D957 APTM	#1.4	549.12
(P) Paint to Match			
#Includes R&I/R&R Combination Lamps			
Fastener Kit	4W7Z 17C756 AA		42.60
2 Bolt, Upper Cover	R/L W704734 S438		1.27
3 Screw, Lower Cover	R/L N800947 S301A		.98
4 Rivet, Cover	R/L N803946 S		4.42
1/As Required			
5 Moulding, Cover (Adhesive)			
Base, LX, LX Sport Model			
Chrome	YW7Z 17C829 BA	.2	49.18
Black (Code UA)	YW7Z 17C829 AA	.2	49.18
Matador Red (Code DT)	3W7Z 17C829 AAE	.2	59.57
Midnight Gray (Code TV)	3W7Z 17C829 AAB	.2	53.30
Pearl Blue (Code DX)	3W7Z 17C829 AAB	.2	59.57
Silver Birch (Code JP)	3W7Z 17C829 AAD	.2	59.57
Toreador Red (Code JL)	1W7Z 17C829 AAA	.2	47.82
Wedgewood Blue (Code LL)	1W7Z 17C829 AAB	.2	47.82
Police Model	YW7Z 17C829 AA	.2	49.18
6 Plug, Cover			
Police Model			
Black	R/L 1W7Z 17F005 BAA	9.95	
White	R/L 1W7Z 17F005 AA	9.18	
7 Bracket, License Plate	6W7Z 17A385 AA	.2	30.32
8 Absorber, Energy	03 R 3W7Z 17F798 AA	IOH	101.32
	L 3W7Z 17F799 AA	IOH	80.33
	04-05 R 4W7Z 17F798 AA	IOH	82.62
	L 3W7Z 17F799 AA	IOH	80.33
	06 R/L 6W3Z 17F798-9 A	IOH	22.88
	07 R/L N.A.	IOH	0.00
	R/L W706770 S437	IOH	1.75
9 Rivet, Absorber			
1/As Required			
10 Stopper, Reinft Bar	R/L 3W7Z 17C817 AA-BA		41.70
11 Rivet	R/L W525175 S300		2.53
1/As Required			
12 Bar, Reinforcement	03-04 3W7Z 17757 AA	IOH	97.12
	05-07 4W7Z 17757 A	IOH	90.33
	W505434 S426		2.70
13 Bolt, Reinforcement			
1/As Required			
14 Bracket, Bumper	R 6W1Z 17752 A	IOH	47.78
	L 6W1Z 17753 A	IOH	51.00
15 Plate, Stud (2/Side)	R/L 5W1Z 17E954 AA		11.27
16 Nut, Plate (4/Side)	R/L N604178 S309		1.19

#### GRILLE

Refinish Grille.....	.8
R&I Grille.....	.2



1 Grille			
Base, LX, Police Model			
Chrome	6W7Z 8200 BA	#.3	112.43
Black	6W7Z 8200 AA	#.3	140.87
LX Sport Model			
Black (Code UA)	03-05 6W7Z 8200 BAE	#.3	143.60
	06-07 6W7Z 8200 BAE	#.3	143.60
Norsea Blue Pearl (Code DX)	07 1W7Z 8200 BAB	#.3	145.82

Driftwood Beige (Code P2)	07 7W7Z 8200 BB	#.3	157.87
Matador Red (Code DT)	03 1W7Z 8200 BAD	#.3	145.82
Midnight Gray (Code TV)	04-05 1W7Z 8200 BAJ	#.3	140.02
Silver Birch (Code JP)	03-05 1W7Z 8200 BAH	#.3	145.82
	06-07 6W7Z 8200 BAH	#.3	145.82
Silver Frost (Code TS)	03 1W7Z 8200 BAF	#.3	145.82
Toreador Red (Code JL)	04-05 1W7Z 8200 BAG	#.3	145.82
	06-07 6W7Z 8200 BAG	#.3	143.60
Tungsten Silver (Code T8)	06-07 6W7Z 8200 BAK	#.3	119.23
Wedgewood Blue (Code LL)	03 1W7Z 8200 BAC	#.3	145.82

#### #Includes R&R Emblem

#### 2 Panel, Front-See Cooling Section

#### 3 Clip, Grille

1/As Required

#### 4 Emblem

Base, LX, LX Sport Model

Police Model

#### 5 Clip, Emblem (2)

N621906 S301		.86
F8CZ 8A223 AA	.1	11.93
F8UZ 8213 AA	.1	14.62
N800488 S301		1.27

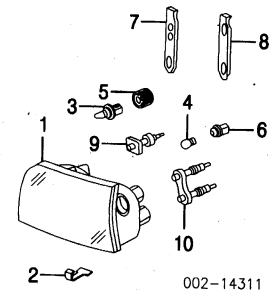
### FRONT LAMPS

#### COMBINATION LAMP

Aim Lamps.....		.4
R&I Combination Lamp.....	R/L	#.2

#Included in R&I/R&R Front Panel

NOTE: R&R Does Not include aim lamps.

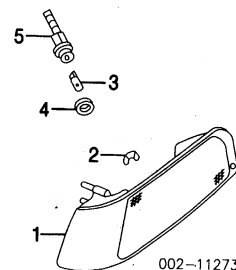


1 Lamp, Combination	03-04 R/L 4W7Z 13008 B-A	#.2	102.00
	05 R 5W7Z 13008 AA	#.2	85.93
	L 5W7Z 13008 BA	#.2	88.70
	06-07 R 6W7Z 13008 AA	#.2	89.72
	L 6W7Z 13008 BA	#.2	88.28
#Included in R&I/R&R Front Panel			
2 Clip, Mounting (3/Side)	R/L F5VY 13N129 A		4.58
3 Bulb, Headlamp	R/L F4TZ 13N021 B	#.2	12.18
4 Bulb, Park/Signal	R/L E7ZZ 13466 B	#.2	4.92
#R&R One Side Complete, Included in R&R Combination Lamp			
Harness, Lamp	N.A.		0.00
5 Retainer, H/Lamp Bulb	R/L F4DZ 13N019 A		5.47
6 Socket, Bulb	03 R/L F4TZ 13411 A		10.85
	04-07 R/L 2U5Z 13411 SA		5.43
Retainer, Lamp			
7 Inner	R/L F8AZ 13N020 AA		7.23
8 Outer	R/L F8AZ 13N020 AB		7.23
Module, Daytime Running Lamp	XW7Z 15A272 AB	#.1	74.68
#W/Lens/Body Removed			
Adjuster, Lamp			
9 Horizontal	R/L YW7Z 13032 AA		9.22
10 Vertical	R/L F8AZ 13032 BA		10.97

#### SIDE MARKER LAMP

R&I Side Marker Lamp.....	R/L	#.2
---------------------------	-----	-----

#Included in R&I/R&R Front Panel & Fender



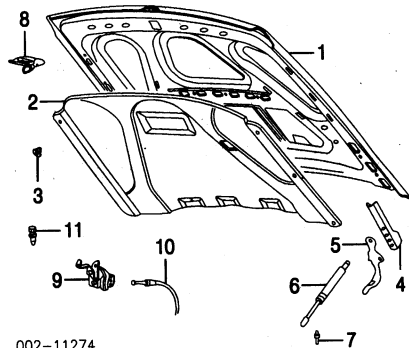
1 Lamp, Side Marker			
Base, LX, LX Sport Model			
	03-04 R/L XW7Z 15A201 AB-BB	#.2	41.00
	05-07 R/L 5W7Z 15A201 AA-AB	#.2	123.73
	R/L 1W7Z 15A201 AA-AA	#.2	142.45
	R/L N606872 S100		1.57
2 Clip, Lamp			
1/As Required			
3 Bulb, Side Marker	R/L E35Y 13466 B	#.2	2.20
Bulb, Strobo			
Police Model			
	R/L 6W7Z 13466 A	#.2	95.93
#R&R One Side Complete, Included in R&I/R&R Front Panel & Fender			
4 Gasket, Lamp	R/L E4AZ 14A297 A		4.85
5 Socket, Marker Lamp			
2003			
	R/L F8AZ 15A434 AA		27.90
2004-07			
	R/L F8AZ 15A434 AA		27.90
Base, LX, LX Sport Model	R/L F8AZ 15A434 AA		27.90
Police Model	R/L 5W7Z 15A434 AA		29.63

# CROWN VICTORIA 2003-07

## HOOD

Use Procedure Explanations 4 and 28 with the following text.

Refinish Hood Outside .....	3.2
Add for Underside .....	1.6
Refinish Hinge .....	R/L .5
R&I Hood Assy .....	.5



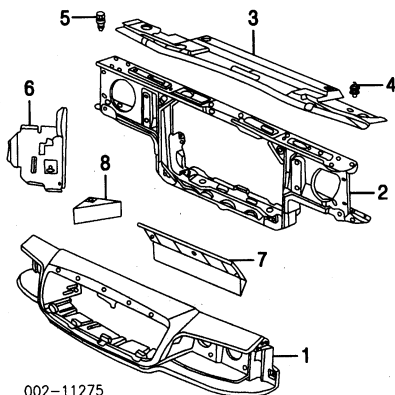
002-11274

1 Hood	6W7Z 16612 A	1.0	541.25
2 Insulator, Hood			
2003			
To 4-1-03	3W7Z 16738 AA	#.2	107.55
From 4-2-03			
Base, LX, LX Sport Model	3W7Z 16738 AB	#.2	100.88
Police Model	3W7Z 16738 AA	#.2	107.55
2004-07	4W7Z 16738 AA	#.2	107.07
#Included in R&R Hood			
3 Retainer, Insulator	388908 S	.38	
#As Required			
4 Reinf, Hinge	R F8AZ 16A601 AA	116.98	
	L F8AZ 16A602 AA	116.98	
5 Hinge, Hood	R/L 6W7Z 16796-7 A	#.3	43.37
#w/Hood Removed, Included in R&R/Fender			
6 Strut, Hood	R/L 6W7Z 16C826 A	#.2	44.78
#w/Hood Removed Deduct .1			
7 Stud, Ball	R/L N811759 S301	5.27	
8 Striker, Hood	6W1Z 16K689 A	.2	14.68
9 Latch, Hood	5W7Z 16700 A	.3	67.13
10 Cable/Handle, Release	6W1Z 16916 A	.8	46.27
Clip, Cable	386132 S	.57	
#As Required			
11 Bumper, Hood	R/L 3W7Z 16758 AA	.1	8.98

## COOLING

Use Procedure Explanations 5 and 28 with the following text.

Refinish Front Panel .....	2.1
Add for Edge .....	.5
Refinish Radiator Support .....	1.5
R&I Front Panel .....	#2.7
#Includes R&I Front Bumper, Grille, Combination Lamps & Side Marker Lamps	
R&I Radiator .....	1.5
Add to R&R Radiator Support	
To R&R Base Model Mechanical Components .....	m #.6
#Includes R&I/R&R Air Bag Sensor, ABS Module & A/C Condenser	
To Aim Lamps .....	.4
To Evacuate & Recharge System .....	m 1.4
Recover Refrigerant .....	m .3



002-11275

1 Panel, Front (SMC)	03-05 3W7Z 8190 AA	#3.2	349.24
	06-07 6W7Z 8190 A	#3.2	504.28
#Includes R&I Front Bumper, Grille, Combination Lamps & Side Marker Lamps			
2 Support, Radiator	03-04 3W7Z 16138 AA	#3.8	233.25
	05 5W7Z 16138 AA	#3.8	184.17
	06-07 6W7Z 16138 A	#3.8	176.92

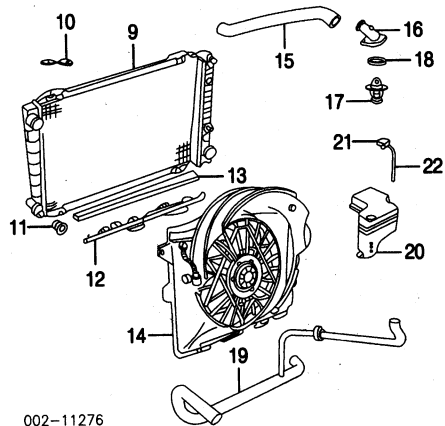
#Includes R&I/R&R Horn, Side Air Deflectors, Lower Air Deflectors, Upper Radiator Shield, Hood Bumpers, Coolant Reservoir, Hood Latch, Radiator, Radiator Fan, Washer Reservoir, D&C Wiring Harness & Hood Release Cable

3 Shield, Upper Radiator	3W7Z 8C291 AB	.2	52.12
4 Clip, Shield (3)	W706519 S300		2.55
5 Bumper, Hood-See Hood Section			
6 Deflector, Side Air	R 3W1Z 8310 BA	25.60	
	L 3W1Z 8311 BA	28.52	
	R/L W505153 S306	0.00	
	R/L N802734 S	5.06	

Retainer, Upper  
Retainer, Lower

#As Required

Deflector, Lower Air			
7 Center	03-05 3W1Z 8327 AA	.2	29.23
8 Side	R 6W7Z 8327 C	.1	20.20
	L 6W7Z 8327 B	.1	27.28
	389358 S	.77	
Retainer, Center Deflector	R/L N807260 S36	1.35	
#As Required			

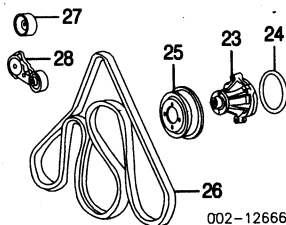


002-11276

9 Radiator	03-05 3W1Z 8005 AH	1.5	237.03
	06-07 6W1Z 8005 AA	1.5	249.23
10 Bkt, Upper Rad Mtg	R/L 3W1Z 8A193 AA		6.88
11 Insulator, Lwr Mtg	R/L 3W1Z 8125 AA		4.63
12 Crossmember, Mtg	6W1Z 8125 A		69.00
13 Seal, Lwr Radiator	F5VZ 8B172 AA		22.65
14 Fan & Shroud, Cooling	03-05 3W1Z 8C607 BD	#.8	437.11
	06-07 7W1Z 8C607 B	#.8	393.80

#Included in R&R Radiator

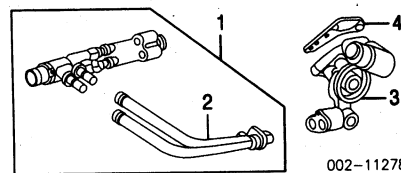
15 Hose, Upr Radiator			
Base, LX, LX Sport Model	03-05 3W1Z 8260 AA	.6	32.38
	06-07 6W1Z 8260 AA	.6	23.11
Police Model	3W7Z 8260 AA	.6	96.40
16 Housing, Thermostat	1W7Z 8592 AB	#.7	26.46
17 Thermostat	3L3Z 8575 AC	#.7	14.00
18 Gskt, Thermostat	F1VY 8255 A	#.7	7.98
#R&R Complete			
19 Hose, Lower Radiator			
w/Eng Oil Cooler			
Base, LX, LX Sport Model			
Adapter Side	3W1Z 8286 BB	1.0	37.02
Radiator Side	3W1Z 8286 CB	1.0	43.73
Police Model			
Adapter Side	3W7Z 8286 EA	1.0	81.47
Radiator Side	6W7Z 8286 AA	1.0	152.78
w/o Eng Oil Cooler	3W1Z 8286 AG	1.0	63.80
#Order by Application			
20 Reservoir, Coolant	3W1Z 8A080 AA	.5	37.05
21 Cap, Reservoir	F6DZ 8100 A		7.70
22 Hose, Overflow			
Base, LX, LX Sport Model	F8AZ 8075 BB	23.42	
Police Model	3W7Z 8075 BA	25.85	



002-12666

23 Pump, Water	5W7Z 8501 AA	m 1.0	116.14
24 Gskt, Water Pump	F1VY 8507 A		4.27
25 Pulley, Water Pump	3W7Z 8509 AA	m	19.25
#Order by Application			
26 Belt, Drive	03-05 3W7Z 8620 AA	.5	41.49
	06-07 6W7Z 8620 BA	.5	26.76
	YW7Z 8678 AA		20.40
27 Pulley, Idler			
28 Tensioner, Belt (a-See Engine/Trans Section			
(a) Included w/Front Cover Assy			

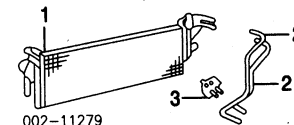
## ENGINE OIL COOLER



002-11278

1 Cooler Assy, Engine Oil	03-05 6W7Z 6A642 AA	m 1.3	329.53
	06-07 6W7Z 6A642 AA	m 1.3	329.53
2 Hose Set, Oil Cooler	3W7Z 6A715 AA	m 1.0	130.12
#Included w/Engine Oil Cooler Assy			
3 Adapter, Oil Filter	F8AZ 6881 AA	m .8	282.42
w/Oil Cooler	F1AZ 6881 BA	m .8	119.71
4 Gskt, Adapter	F6AZ 6840 BA	m	8.37
w/Oil Cooler	F6AZ 6840 AA	m	12.18

## TRANS OIL COOLER



002-11279

1 Cooler, Trans/Steering	03-05 5W1Z 3F749 A	m .8	164.33
	06-07 6W1Z 3D746 AA	m .8	99.58
2 Hose, Trans Cooler	R/L N.A.	m #.6	0.00
#Cut to Fit			
#R&R Both 1.0			
3 Bracket, Hose	03-05 5W1Z 7F140 AA		4.93
	06-07 6W7Z 7F140 AA		4.58

## A/C REFRIGERANT CAPACITIES

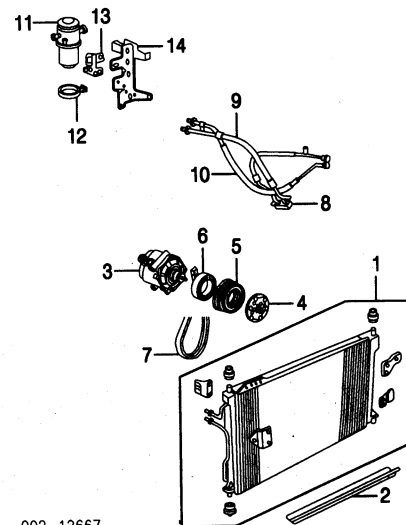
A/C R-134a Refrigerant Capacity  
38.0 Ozs (2.4 Lbs), 1080g

## A/C /HEATER/VENTILATION

Use Procedure Explanation 6 with the following text.

R&I Condenser .....	m #1.5
#w/Radiator Removed Deduct .8	
Evacuate & Recharge System .....	m 1.4
Recover Refrigerant .....	m .3

NOTE: R&I/R&R Does Not include recover, evacuate and recharge system.



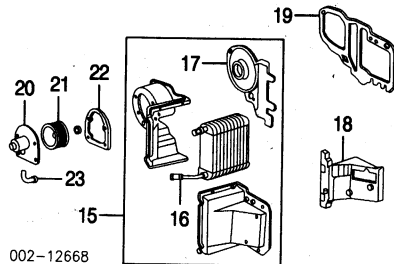
002-12667

1 Condenser			
2003-05	3W1Z 19712 AA	m #1.5	290.02
2006-07			
Police Model	6W7Z 19712 A	m #1.5	387.56
Base, LX, LX Sport Model	6W1Z 19712 AA	m #1.5	345.72
#w/Radiator Removed Deduct .8			
2 Seal, Condenser			
Upper	03-05 3W1Z 19E572 AA	m	10.77
	06-07 6W1Z 19E572 AA	m	11.13
Side/Upper	03-05 R 3W1Z 19E572 BA	m	12.75
	L 3W1Z 19E572 DA	m	7.93

	06-07 R	6W1Z 19E572 BA	m	12.75
		L 6W1Z 19E572 DA	m	11.02
Side/Lower		R/L 3W1Z 19E572 EA	m	16.37
Lower	03-05	3W1Z 19E572 CA	m	12.48
	06-07	6W1Z 19E572 DA	m	11.02
3 Compressor	03-05	1L2Z 19T03 DA	m #1.1	335.98
	06-07	6L2Z 19T03 GB	m #1.1	335.98
4 Clutch, Compressor	03-05	6C2Z 19D786 A	m #1.1	41.26
	06-07	6L2Z 19D786 A	m #1.1	41.26
5 Pulley, Compressor	03-05	5C2Z 19D784 A	m #1.1	73.16
	06-07	6L2Z 19D784 A	m #1.1	68.42
6 Coil, Compressor	03-05	1L2Z 19D798 AA	m #1.1	45.12
	06-07	6L2Z 19D798 AA	m #1.1	50.96

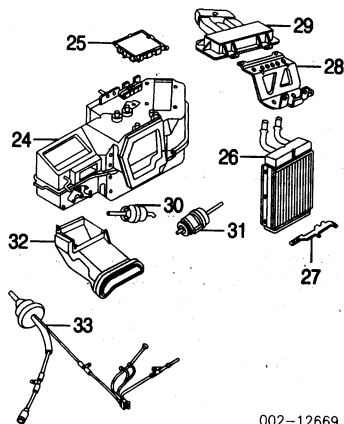
**#R&R Complete**

7 Belt, Drive-See Cooling Section	03-05	3W7Z 19D734 CA	m	329.62
8 Manifold & Tube	06-07	6W7Z 19D734 AA	m .4	88.34
<b>Hose, A/C</b>				
9 Condenser to Evaporator	03-05	3W7Z 19835 BA	m	65.78
	06-07	6W7Z 19835 BA	m	30.44
10 Evaporator to Receiver Drier	03-05	4W7Z 19835 AA	m	85.22
	06-07	6W7Z 19835 AA	m	35.84
11 Receiver/Drier	03-05	3W7Z 19C836 CA	m	103.72
	06-07	6W7Z 19C836 A	m	89.18
12 Clamp, Receiver/Drier		F5AZ 19D607 AA	m	11.22
13 Brkt, Receiver/Drier	03-04	4W1Z 19D606 AA	m	15.48
	05-07	5W7Z 19D606 A	m	8.02
14 Support, Tube		4W7Z 19A579 A	m	4.57



002-12668

15 Housing Assy, Evaporator				
w/ATC	03-05	3W7Z 19850 DA	m 3.8	340.70
	06	6W7Z 19850 CA	m 3.8	244.68
	07	7W7Z 19850 B	m 3.8	209.70
w/o ATC	03-04	3W7Z 19850 CA	m 3.8	306.60
	05	5W7Z 19850 CA	m 3.8	214.83
	06	6W7Z 19850 CA	m 3.8	244.68
	07	7W7Z 19850 A	m 3.8	244.68
16 Core, Evaporator		3W7Z 19860 AA	m	182.74
17 Plate, Mounting		F6VZ 19A586 AA	m	12.27
<i>#Included w/Evaporator Housing Assy</i>				
18 Insulator, Evaporator Case	03-05	3W7Z 19B666 AA	m	24.90
	06-07	6W7Z 19B666 AA	m	20.90
		FOVY 19C593 A	m	31.93
19 Gasket, Case				
20 Motor, Blower				
2003		1W7Z 19805 BA	m #.8	120.18
2004				
To 4-19-04		1W7Z 19805 BA	m #.8	120.18
From 4-20-04		4W7Z 19805 AA	m #.8	58.31
2005-07		4W7Z 19805 AA	m #.8	58.31
21 Fan, Blower		XF3Z 18504 AA	m #.8	29.10
<b>#R&amp;R Complete, Included in R&amp;R Evaporator Housing Assy</b>				
22 Seal, Blower Motor		D9AZ 18N260 A	m	7.48
23 Tube, Blower Motor				
2003-04		D9AZ 19A786 A	m	6.12
2005				
To 12-6-04		D9AZ 19A786 A	m	6.12
From 12-7-04		5W7Z 19A786 AA	m	7.93
2006-07		5W7Z 19A786 AA	m	7.93



002-12669

27 Seal, Heater Core		YW3Z 18658 AA	m	27.82
28 Brkt, Heater Core	03-06	1W1Z 14B058 AA	m	17.75
	07	7W7Z 14B058 A	m	10.52
		F6AZ 18B300 AA	m	7.67
29 Cover, Heater Core				
Motor, Vacuum Control				
30 No. 1		6W7Z 18A318 BA	m	11.80
31 No. 2		6W7Z 18A318 AA	m	14.38
Motor, Door		6W7Z 18A318 CA	m	13.42
32 Duct, Heater Floor		3W3Z 18C433 AA	m	27.12
33 Harness, Vacuum Plenum				
	03	1W7Z 19C827 AA	m	31.68
	04	4W7Z 19C827 AA	m	14.30
	05-07	5W7Z 19C827 AA	m	10.32
Control w/ATC		F5VY 19C827 A	m	17.77
w/o ATC		1W7Z 19C827 BA	m	24.35

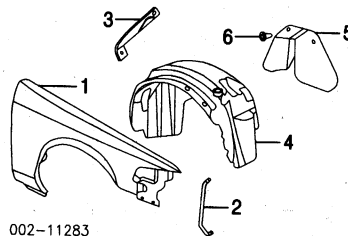
## FRONT FENDER

Use Procedure Explanations 7 and 28 with the following text.

### SHEET METAL

Refinish Fender Outside	R/L	2.5
Add to Edge	R/L	.5
R&I Fender	R	#3.5
	L	#3.1

**#Includes R&I Bumper Cover & Hood, R&I/R&R Side Marker Lamp & Splash Shield, Right Side Includes R&I/R&R Battery**

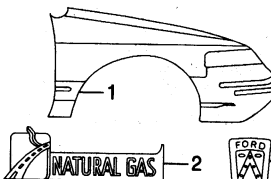


002-11283

1 Fender	R 7W7Z 16005 A	#3.7	282.95
	L 7W7Z 16006 A	#3.5	282.95
<b>#Includes R&amp;I Bumper Cover &amp; Hood, R&amp;I/R&amp;R Side Marker Lamp &amp; Splash Shield, Right Side Includes R&amp;I/R&amp;R Battery</b>			
2 Brace, Front Fender Brkt, Rear Fender	R/L 3W7Z 16A023 AB	.1	19.27
	R F8VZ 16C078 AA	.1	23.13
	L F8VZ 16C079 AA	.1	24.82
3 Brace, Rear Fender	R F8VZ 16E128 AA	.1	159.02
	L F8VZ 16E129 AA	.1	159.02
4 Liner, Fender	R 6W7Z 16054 A	#1.7	56.00
	L 6W7Z 16055 B	#1.3	56.23
<b>#Right Side Includes R&amp;R Battery, w/Fender Removed .6</b>			
Clip, Liner	R/L N807021 S300		0.00
<i>#As Required</i>			
5 Shield, Splash	R/L 3W7Z 16240 AA-BA		24.23
6 Clip, Splash Shield	R/L W705589 S		1.34

### EXTERIOR TRIM

Refinish Side Moulding	R/L	.5
------------------------	-----	----



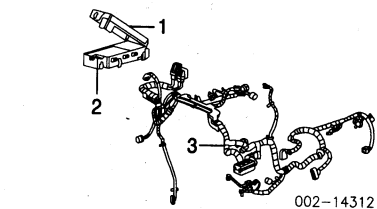
002-11284

1 Moulding, Side (Adhesive)			
Aspen Green (Code P5)	03-04 R 2W7Z 16036 AAB	.2	24.18
	L 2W7Z 16037 AAB	.2	24.18
Ice Blue (Code LS)	R N.A.	.2	0.00
	L 5W7Z 16037 APTM	.2	43.43
Matador Red (Code DT)	03-04 R 2W7Z 16036 AAC	.2	23.60
	L 5W7Z 16037 APTM	.2	43.43
Paint to Match	R 5W7Z 16036 APTM	.2	43.43
	L 5W7Z 16037 APTM	.2	43.43
2 Nameplate, "Natural Gas" (Adhesive)	R/L F6AZ 16720 AA	.2	77.98
3 Emblem, Crest (Adhesive)	R/L XW7Z 16720 AB	.2	27.48

### ELECTRICAL COMPONENTS

Illustration Located in Next Column

1 Cover, Fuse Box	F2AZ 14A003 B	.1	11.13
2 Box, Fuse-Serviced w/Main Wiring Harness			
3 Harness, Main Wiring			
Base, LX, LX Sport Model			
Column Shift	3W7Z 14401 MA	m	539.38



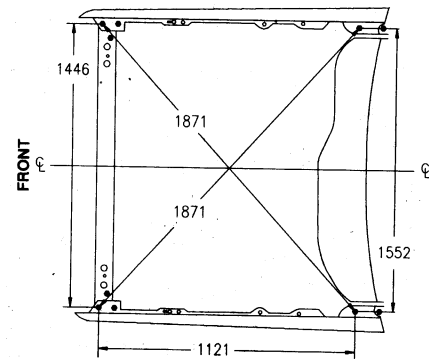
002-14312

Floor Shift  
Police Model  
Order by Application

3W7Z 14401 NA	m	588.65
3W7Z 14401 YA	m	584.00

## UNDERHOOD DIMENSIONS

061-20047



## AIR BAG SYSTEM

Use Procedure Explanation 30 with the following text.

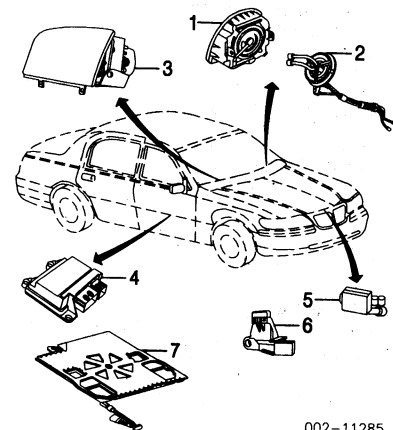
**NOTE 1: R&R Does Not include disable and enable or diagnose Air Bag System.**

**NOTE 2: Refer to Procedural Explanation 30 for Supplemental Restraint/Air Bag System Component Inspection and Replacement Information.**

**NOTE 3: For Air Bag System Service procedures, refer to Manufacturer's Service Repair Manual or Mitchell's Air Bag Service and Repair Manual.**

### FRONT

Disable & Enable Air Bag System	m #1.8
<b>#Includes R&amp;I/R&amp;R Driver and Passenger Air Bag Modules and Install Simulators</b>	
Diagnose Air Bag System (If Required)	m #3.0
<b>#Includes R&amp;I/R&amp;R Driver and Passenger Air Bag Modules, Front Seats, Install Simulators, Connect Scan Tool and Retrieve/Clear Trouble Codes</b>	



002-11285

1 Module, Driver Air Bag			
Black			
2003-04		1W7Z 54043B13 AAD	m .5 683.56
2005			
To 12-13-04		5W7Z 54043B13 BAB	m .5 578.07
From 12-14-04		5W7Z 54043B13 AAB	m .5 683.56
2006		5W7Z 54043B13 AAB	m .5 683.56



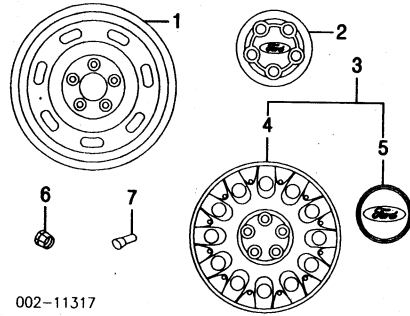
## FRONT SUSPENSION

Use Procedure Explanation 11 with the following text.

R&I Suspension (One Side).....	R/Lm	2.8
O/H Suspension (Includes R&I)		
One Side.....	R/Lm	3.5
Both Sides.....	m	6.5
Adjust Front Alignment.....	m	1.8
Bleed Brake System.....	m	.6

**NOTE 1:** R&I/R&R or O/H Does Not include alignment or bleed brake system.

**NOTE 2:** All Parts in this section are included in overhaul unless noted otherwise.

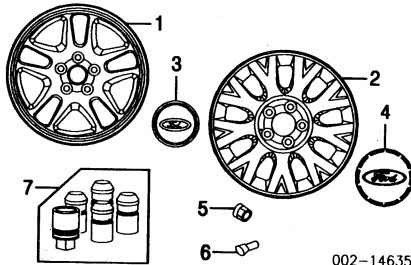


002-11317

To 4-30-03	6W7Z 1007 D	.3	148.92
From 5-1-03	3W7Z 1007 F	.3	89.72
2004-07	3W7Z 1007 F	.3	89.72
2 Cap, Center	3W7Z 1130 BA		63.58
3 Cover Assy, Wheel	3W7Z 1130 DA		54.67
4 Cover, Wheel Serviced w/Wheel Cover Assy	4W7Z 1137 AA		22.37
5 Applique, Cover	4W7Z 1137 AA		
<i>#Included w/Wheel Cover Assy</i>			
6 Nut, Lug			
Center Cap	6W7Z 1012 CA		5.02
Wheel Cover (a)	6C2Z 1012 AA		5.02
<i>(a) Order by Application</i>			
7 Stem, Valve	3W1Z 1700 XA		1.86

### ALLOY WHEEL

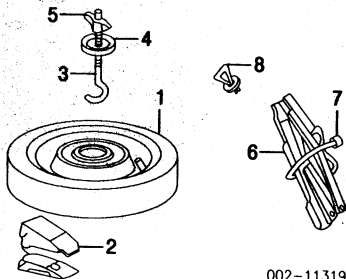
Add to R&I Spare Wheel & Tire Assy..... 2



002-14635

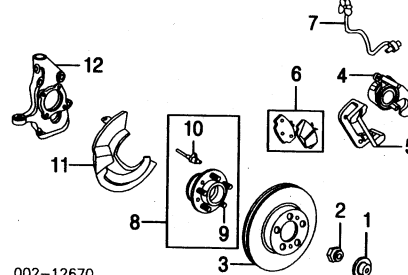
<b>Wheel, Alloy</b>			
1 5 Spoke	03-05 3W7Z 1007 BA	.3	295.42
	06-07 6W3Z 1007 BA	.3	440.52
2 9 Spoke	03-05 3W7Z 1007 AA	.3	268.70
	06-07 6W7Z 1007 AA	.3	197.87
<b>Cap, Center</b>			
3 5 Spoke Wheels	1W7Z 1130 AB		22.05
4 9 Spoke Wheels	03-05 3W7Z 1130 AA		68.30
	06-07 6W7Z 1130 AA		47.45
5 Nut, Lug			
Exposed Lugs	6W7Z 1012 BA		4.92
Non-Exposed Lugs	E8AZ 1012 A		1.31
6 Stem, Valve	3W1Z 1700 XA		1.86
7 Lock Kit, Wheel			
Dealer Installed			
Exposed Lugs	F2LY 1A043 A		43.37
Non-Exposed Lugs	E9AZ 1A043 A		43.37

### SPARE WHEEL & HARDWARE



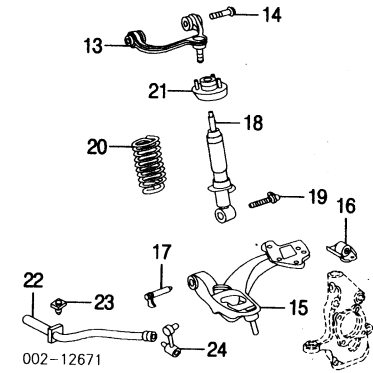
002-11319

1 Wheel, Spare	3W7Z 1007 EA		249.88
<i>#Order by Application</i>			
2 Bracket, Spare Wheel Mtg			
Base, LX, LX Sport Model	F2AZ 5447076 B		12.35
Police Model	F2AZ 5447076 A		d52.52
3 Bolt, Spare Wheel Mtg	3W7Z 1448 AA		11.78
4 Plate, Spare Wheel Mtg	E9SZ 1424 A		6.43
	E8DZ 1462 A		4.58
5 Nut, Hold-Down			
6 Jack	03-06 1W1Z 17080 AA		67.70
	07 6W7Z 17080 A		84.93
7 Brkt, Jack Mounting	F8AZ 17A006 AA		17.40
8 Nut, Retaining	N808595 S2		10.38
Wrench, Lug	F8AZ 17035 AA		32.62



002-12670

1 Cap, Grease	R/L F1VY 1N135 A		9.33
2 Nut, Retainer	R/L F3LY 3B477 A	m	13.12
3 Rotor, Brake	R/L 3W1Z 1125 AA	m	#.6 142.08
<i>#R&amp;R Both 1.0</i>			
4 Caliper, Brake			
2003	R 3W1Z 2B120 AB	m	#.5 202.03
	L 3W1Z 2B121 AB	m	#.5 202.03
2004-05			
Base, LX, LX Sport Model	R 3W1Z 2B120 AB	m	#.5 202.03
	L 3W1Z 2B121 AB	m	#.5 202.03
Police Model	R 6W1Z 2B120 AA	m	#.5 202.03
	L 6W1Z 2B121 AA	m	#.5 208.10
2006-07	R 6W1Z 2B120 AA	m	#.5 202.03
	L 6W1Z 2B121 AA	m	#.5 208.10
5 Anchor, Caliper	03-05 R 6W1Z 2B292 AA	m	#.5 126.53
	L 6W1Z 2B293 AA	m	#.5 81.58
	06-07 R 6W1Z 2B292 AA	m	#.5 126.53
	L 6W1Z 2B293 AA	m	#.5 81.58
<i>#R/L One Side Complete, R&amp;R Both Sides .8</i>			
6 Pad Set, Brake			
Base, LX, LX Sport Model	6W1Z 2001 A	m	#1.0 125.47
Police Model	03-05 3W1Z 2001 BA	m	#1.0 107.62
	06-07 6W7Z 2001 A	m	#1.0 110.90
<i>#Deduct .5 for Each Caliper Removed</i>			
7 Hose, Brake	03-05 R/L 3W1Z 2078 AA-BA	m	#.3 33.40
	06-07 R/L 6W1Z 2078 AA-BA	m	#.3 27.83
<i>#w/Caliper Removed Deduct 2</i>			
8 Hub Assy			
2003	R/L 5W1Z 1104 B	m	#1.0 149.45
2004			
To 12-14-03	R/L 5W1Z 1104 B	m	#1.0 149.45
From 12-15-03	R/L 6W1Z 1104 A	m	#1.0 149.45
2005-07	R/L 6W1Z 1104 A	m	#1.0 149.45
<i>#Includes R&amp;R Brake Rotor, R&amp;R Both Sides 1.8</i>			
9 Stud, Lug (5/Side)	R/L 5W1Z 1107 A	m	#.8 11.83
10 Sensor, Front ABS	03-04 R/L 3W1Z 2C204 BB	m	#.6 124.36
	05-07 R/L 5W1Z 2C204 A	m	#.6 54.25
<i>Indicator, ABS Serviced w/Hub Assy</i>			
<i>#Included w/Hub Assy</i>			
<i>#R&amp;R Both Sides 1.0</i>			
11 Shield, Splash	R 3W1Z 2K004 AA	m	#.2 14.48
	L 3W1Z 2K005 AA	m	#.2 14.48
<i>#w/Hub Removed</i>			
12 Knuckle			
2003-04	R 5W1Z 3K185 A	m	#1.8 296.05
	L 5W1Z 3K186 A	m	#1.8 289.68
2005			
To 12-5-05	R 5W1Z 3K185 A	m	#1.8 296.05
	L 5W1Z 3K186 A	m	#1.8 289.68
From 12-6-05	R/L 6W1Z 3K185-6 A	m	#1.8 0.00
2006-07	R/L 6W1Z 3K185-6 A	m	#1.8 0.00
<i>#Includes R&amp;R Hub, Brake Rotor &amp; Splash Shield</i>			
<i>Illustration Located in Next Column</i>			
13 Arm, Upper Control			
2003-04	R 6W1Z 3084 S	m	#1.6 120.12
	L 6W1Z 3085 M	m	#1.6 120.12
2005			
To 12-5-05	R 6W1Z 3084 B	m	#1.6 94.00
	L 6W1Z 3085 A	m	#1.6 96.82
From 12-6-05	R/L 6W1Z 3084-5 B	m	#1.6 94.00
2006-07	R/L 6W1Z 3084-5 B	m	#1.6 94.00
14 Bolt, Upr Cont Arm (2/Side)	R/L 6W1Z 3A358 AA	m	#.8 8.56
15 Arm, Lower Control			
2003			
Std Duty Susp	R 6W1Z 3078 AA	m	#1.6 254.40
	L 6W1Z 3079 AA	m	#1.6 262.03
Hvy Duty Susp	R 5W7Z 3078 AA	m	#1.6 228.75
	L 5W7Z 3079 AA	m	#1.6 230.63



002-12671

2004			
To 12-7-03			
Std Duty Susp	R 6W1Z 3078 AA	m	#1.6 254.40
	L 6W1Z 3079 AA	m	#1.6 262.03
Hvy Duty Susp	R 5W7Z 3078 AA	m	#1.6 228.75
	L 5W7Z 3079 AA	m	#1.6 230.63
From 12-8-03			
Std Duty Susp	R 6W1Z 3078 AA	m	#1.6 254.40
	L 6W1Z 3079 AA	m	#1.6 262.03
Hvy Duty Susp	R 5W7Z 3078 AB	m	#1.6 228.75
	L 5W7Z 3079 AB	m	#1.6 230.63
2005			
Std Duty Susp	R 6W1Z 3078 AA	m	#1.6 254.40
	L 6W1Z 3079 AA	m	#1.6 262.03
Hvy Duty Susp	R 5W7Z 3078 AB	m	#1.6 228.75
	L 5W7Z 3079 AB	m	#1.6 230.63
2006			
To 12-5-05			
Std Duty	R 6W1Z 3078 AA	m	#1.6 254.40
	L 6W1Z 3079 AA	m	#1.6 262.03
Hvy Duty Susp	R 6W7Z 3078 AA	m	#1.6 254.40
	L 6W7Z 3079 AA	m	#1.6 254.40
From 12-6-05			
Std Duty	R 6W1Z 3078 D	m	#1.6 259.63
	L 6W1Z 3079 D	m	#1.6 329.37
Hvy Duty Susp	R/L 6W7Z 3078-9 B	m	#1.6 254.40
2007			
Std Duty	R 6W1Z 3078 D	m	#1.6 259.63
	L 6W1Z 3079 D	m	#1.6 329.37
Hvy Duty Susp	R/L 6W7Z 3078-9 B	m	#1.6 254.40
<i>#w/Knuckle Removed Deduct 1.2</i>			
16 Bushing, Control Arm			
Base, LX, LX Sport Model (a)	R/L 4W1Z 5A486 AB-AA	m	81.13
Police Model	R/L 4W7Z 5A486 AB-AA	m	65.93
<i>(a) Order by Application</i>			
17 Bolt, Lwr Cont Arm	R/L 6W1Z 3C289 B	m	19.23
18 Absorber, Shock			
2003			
Base, LX Model (a)	R/L 3U2Z 18124 BJ	m	#1.5 109.95
LX Sport Model	R/L 3U2Z 18124 BK	m	#1.5 161.78
Police Model	R/L 3U2Z 18124 BP	m	#1.5 109.95
2004			
To 12-1-03			
Base, LX Model (a)	R/L 3U2Z 18124 BJ	m	#1.5 109.95
LX Sport Model	R/L 3U2Z 18124 BK	m	#1.5 161.78
Police Model	R/L 3U2Z 18124 BP	m	#1.5 109.95
From 12-2-03			
Base, LX Model (a)	R/L 4W7Z 18124 AA	m	#1.5 111.17
LX Sport Model	R/L 4W7Z 18124 BA	m	#1.5 109.95
Police Model	R/L 4W7Z 18124 CA	m	#1.5 111.17
2005			
Base, LX Model (a)	R/L 4W7Z 18124 AA	m	#1.5 111.17
LX Sport Model	R/L 4W7Z 18124 BA	m	#1.5 109.95
Police Model	R/L 4W7Z 18124 CA	m	#1.5 111.17
2006			
Base, LX Model	R/L 4W7Z 18124 AA	m	#1.5 111.17
LX Sport Model	R/L 6W7Z 18124 B	m	#1.5 103.55
Police Model	R/L 6W7Z 18124 C	m	#1.5 101.62
2007			
Base, LX Model	R/L 7W7Z 18124 D	m	#1.5 84.95
LX Sport Model	R/L 7W7Z 18124 A	m	#1.5 84.95
Police Model	R/L 7W7Z 18124 C	m	#1.5 101.62
<i>(a) Order by Application</i>			
19 Bolt, Shock Mtg			
2003-05			
2006	R/L 6W1Z 3C177 AA	m	9.98
To 12-5-05			
From 12-6-05	R/L 6W1Z 3C177 AA	m	9.98
2007	R/L 6W1Z 3C177 B	m	9.98
	R/L 6W1Z 3C177 B	m	9.98
20 Spring, Coil			
2003-05 (a)			
Base, LX, LX Sport Model	R/L 3W1Z 5310 BA	m	#1.5 74.60
Police Model	R/L 3W7Z 5310 AA	m	#1.5 74.60
2006-07	R/L 6W7Z 5310 A	m	#1.5 59.68
<i>(a) Order by Application</i>			
21 Brkt, Shock Mtg	R/L 3W1Z 18183 AA	m	#1.5 41.90
<i>#R&amp;R One Side Complete, R&amp;R Both Sides 2.8, w/Knuckle Removed Deduct 1.0</i>			
22 Bar, Front Stabilizer			
2003	3W7Z 5482 DA	m	#1.0 164.42
2004-05			
Base, LX, LX Sport Model	6W1Z 5482 B	m	#1.0 141.08
Police Model	6W1Z 5482 E	m	#1.0 140.75
2006			
Base, LX, LX Sport Model	6W1Z 5482 B	m	#1.0 141.08
Police Model	7W1Z 5482 D	m	#1.0 178.10
2007			

# CROWN VICTORIA 2003-07

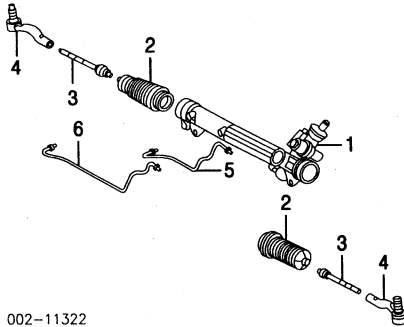
## FRONT SUSPENSION Cont'd

Base, LX, LX Sport Model	7W1Z 5482 B	m	#1.0	166.15
Police Model	7W1Z 5482 D	m	#1.0	178.10
<i>#Includes R&amp;R Stabilizer Links, Not Included in O/H</i>				
23 Bolt, Retaining (2/Side)	R/L 3W1Z 5E490 AA			2.95
24 Link, Stabilizer	R/L 6W1Z 5K484 AA	m	#.3	39.57
<i>#Not Included in O/H</i>				

## FRONT STEERING LINKAGE/GEAR

R&I Steering Gear.....m 1.8

NOTE: R&R Does Not include adjust wheel alignment.



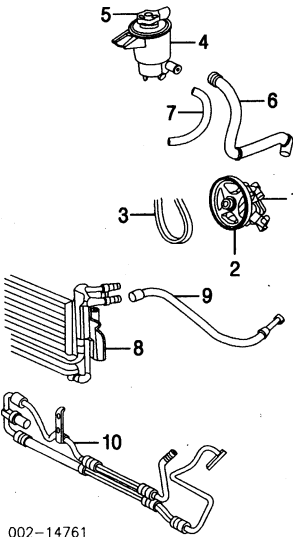
002-11322

1 Gear, Steering				
2003	3W1Z 3504 FARM	m	2.2	R491.16
2004				
To 12-13-04	3W1Z 3504 FARM	m	2.2	R491.16
From 12-14-04	7W1Z 3504 B	m	2.2	524.16
2005-06	7W1Z 3504 B	m	2.2	524.16
2007	7W1Z 3504 B	m	2.2	524.16
2 Boot, Dust	R/L 3W1Z 3K661 AA	m		15.78
3 Rod, Inner Tie†	R/L 3W1Z 3Z820 BA	m	#.4	31.53
<i>†Additional Parts &amp;/or Dealer Contact Required</i>				
<i>#/Steering Gear Removed</i>				
4 Rod, Outer Tie	03-05 R/L 3W1Z 3A130 BA-BB	m	.3	53.05
	06-07 R/L 6W1Z 3A130 A-B	m	.3	49.35
Tube, Turn Line				
5 Right	03-05 R 3W1Z 3A717 BA	m		8.68
	06-07 R 6W1Z 3A717 A	m		7.48
6 Left	03-05 L 3W1Z 3A714 BA	m		11.20
	06-07 L 6W1Z 3A714 A	m		7.48

## STEERING PUMP

Add to R&R Steering Pump

To Bleed System.....m .4



002-14761

1 Pump, Steering	03 3W1Z 3A674 CARM	m	1.6	R126.84
	04-07 5W1Z 3A674 AA	m	1.6	126.93
	F6AZ 3A733 AB	m	#1.0	21.08
2 Pulley, Pump				
<i>#Included in R&amp;R Pump</i>				
3 Belt, Drive-See Cooling Section				
4 Reservoir, Fluid	03-05 3W1Z 3E764 BA	m	.7	59.28
	06-07 5W1Z 3E764 A	m	.7	53.12
5 Cap, Reservoir	1U5Z 3A006 AA	m	.7	15.62
6 Hose, Reservoir/Pump†	03 5W1Z 3691 A	m	.3	15.03
	04-05 5W1Z 3691 A	m	.3	15.03
	06-07 N.A.	m	.3	0.00
7 Hose, Reservoir/Cooler†	3W1Z 3A713 AA	m	.3	17.06
<i>†Order by Application</i>				
8 Cooler, Trans/Steering-See Trans Oil Cooler Section				

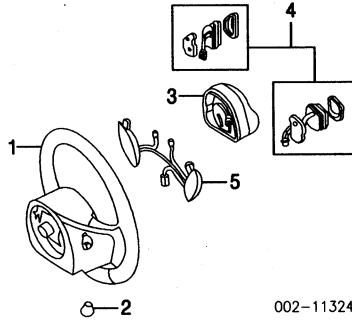
9 Hose, Cooler/Gear†	3W1Z 3A713 BA	m	.6	17.18
10 Hose, Pump/Gear†	4W1Z 3A719 BA	m	#.8	103.85

*†Order by Application*  
*#R&R Both 1,2*

## STEERING WHEEL/COLUMN

NOTE: All Parts in this section are included in overhaul unless noted otherwise.

### WHEEL & TRIM



002-11324

### 1 Wheel, Steering

2003

Leather				
w/Multi-Function Switch				
Charcoal	1W3Z 3600 BAH	m	.5	263.30
Flint	1W3Z 3600 BAE	m	.5	261.98
Parchment†	1W3Z 3600 BAF	m	.5	261.98
w/o Multi-Function Switch				
Black	F8AZ 3600 BBL	m	.5	166.30
Flint	F8AZ 3600 BBH	m	.5	193.13
Parchment	XW7Z 3600 BBE	m	.5	142.78

Vinyl

w/Cruise Control				
Charcoal	F8AZ 3600 BBK	m	.5	163.88
Flint	F8AZ 3600 BBG	m	.5	177.93
Parchment	XW7Z 3600 ABE	m	.5	123.88
w/o Cruise Control				
Charcoal	F8AZ 3600 ABA	m	.5	177.93
Flint	F8AZ 3600 ABB	m	.5	171.88
Parchment	F8AZ 3600 ABC	m	.5	149.35

2004

Leather				
Black	F8AZ 3600 BBL	m	.5	166.30
Flint	F8AZ 3600 BBH	m	.5	193.13
Parchment†	F8AZ 3600 BBM	m	.5	157.38

Vinyl

w/Cruise Control				
Charcoal	F8AZ 3600 BBK	m	.5	163.88
Flint	F8AZ 3600 BBG	m	.5	177.93
Parchment				
To 11-17-03	XW7Z 3600 ABE	m	.5	123.88
From 11-18-03	F8AZ 3600 BBN	m	.5	132.97
w/o Cruise Control				
Charcoal	F8AZ 3600 ABA	m	.5	177.93
Flint	F8AZ 3600 ABB	m	.5	171.88
Parchment				
To 11-17-03	F8AZ 3600 ABC	m	.5	149.35
From 11-18-03	F8AZ 3600 ABE	m	.5	78.88

2005

Leather				
w/Radio Controls				
To 11-28-04				
Black	5W7Z 3600 BJB	m	.5	205.45
Flint	5W7Z 3600 BJC	m	.5	205.45
Parchment	5W7Z 3600 BKA	m	.5	205.45
From 11-29-04				
Black	5W7Z 3600 DFE	m	.5	183.27
Flint	5W7Z 3600 DFF	m	.5	183.27
Parchment	5W7Z 3600 DFD	m	.5	183.27

w/o Radio Controls

To 11-28-04				
Black	5W7Z 3600 ALB	m	.5	190.00
Flint	5W7Z 3600 ALC	m	.5	190.95
Parchment	5W7Z 3600 ALD	m	.5	190.95
From 11-29-04				
Black	5W7Z 3600 CFE	m	.5	184.47
Flint	5W7Z 3600 CFF	m	.5	205.45
Parchment	5W7Z 3600 CFD	m	.5	190.95

Vinyl

w/Cruise Control				
To 11-28-04				
Black	5W7Z 3600 DJB	m	.5	121.63
Flint	5W7Z 3600 DJC	m	.5	121.63
Parchment	5W7Z 3600 DJD	m	.5	121.63
From 11-29-04				
Black	5W7Z 3600 DAL	m	.5	121.63
Flint	5W7Z 3600 DFM	m	.5	121.63
Parchment	5W7Z 3600 DFK	m	.5	121.03

w/o Cruise Control

To 11-28-04				
Black	5W7Z 3600 CHB	m	.5	66.50
Flint	5W7Z 3600 CGC	m	.5	64.25
Parchment	5W7Z 3600 AGE	m	.5	66.50
From 11-29-04				
Black	5W7Z 3600 CEL	m	.5	66.18
Flint	5W7Z 3600 CEM	m	.5	66.18
Parchment	5W7Z 3600 CEK	m	.5	64.57

2006-07

Leather				
w/Radio Controls				
Black	5W7Z 3600 DAH	m	.5	177.93
Camel	5W7Z 3600 DAG	m	.5	177.93
Stone	5W7Z 3600 DAJ	m	.5	177.93
w/o Radio Controls				
Black	5W7Z 3600 CAH	m	.5	199.47
Camel	5W7Z 3600 CAG	m	.5	199.47
Stone	5W7Z 3600 CAJ	m	.5	199.47
Vinyl				
w/Cruise Control				
Black	5W7Z 3600 DAP	m	.5	118.08
Camel	7W7Z 3600 BD	m	.5	118.08
Stone	7W7Z 3600 BF	m	.5	118.08
w/o Cruise Control				
Black	7W7Z 3600 AE	m	.5	64.57
Camel	7W7Z 3600 AD	m	.5	64.57
Stone	7W7Z 3600 AF	m	.5	64.57

*†Order by Application*

2 Cap, Strg Wheel				
Black	R/L F5AZ 3L518 E			4.20
Flint	R/L F5AZ 3L518 BCA			1.50
Parchment†	R/L F5AZ 3L518 PA			1.82
State Blue	R/L F5AZ 3L518 BB			3.00
Tan	R/L F5AZ 3L518 AA			3.48

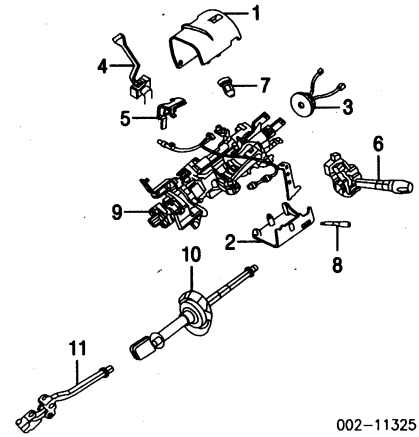
*†Order by Application*

3 Module, Driver Air Bag-See Air Bag System Section				
4 Switch, Multi-Function				
2003-04	F8OZ 14K147 AA	m	.3	120.22
2005-07				
w/Audio Switch	R 5W1Z 9C888 BA	m	.3	46.24
	L 5W1Z 9C888 AA	m	.3	45.62
w/o Audio Switch	R/L 5W7Z 9C888 BA-AA	m	.3	38.82
5 Switch, Cruise Control†				
w/o Multi-Function Switch	03-04 F8AZ 9C888 AB	m	.3	45.53
<i>†Order by Application</i>				

## COLUMN TILT

2003-04

Refinish Column Covers Complete.....	.5
Refinish Upper Column Cover.....	.3
Refinish Lower Column Cover.....	.3
R&I Steering Column.....	m 1.8
O/H Steering Column (Includes R&I).....	m 2.9



002-11325

### 1 Cover, Upper Column

2003 (P)				
Column Shift	F8AZ 3530 BA	m	#.3	22.42
Floor Shift	F8OZ 3530 FA	m	#.3	16.22
2004				
Column Shift				
Black	4W1Z 3530 AAC	m	#.3	29.28
Dark Parchment	4W1Z 3530 AAA	m	#.3	29.28
Flint	4W1Z 3530 AAB	m	#.3	29.28
Medium Parchment	4W1Z 3530 AAD	m	#.3	29.28
Floor Shift				
Black	4W7Z 3530 AAA	m	#.3	29.28
Flint	4W7Z 3530 AAB	m	#.3	29.28
F2AZ 3530 A		m	#.3	24.65

### 2 Cover, Lower Column (P)

(P) Paint to Match

*#R&R Complete*

### 3 Clockspring-See Air Bag System Section

### 4 Lever, Shift

w/Boot				
Black	04 XW7Z 7210 AEY	m	.6	44.67
Flint	XW7Z 7210 AAA	m	.6	47.12
w/o Boot	XW7Z 7210 AA	m	.6	129.38

### 5 Bezel, Shift Lever

Charcoal	F8AZ 3D677 BLK	m		8.85
Flint	N.A.	m		0.00
Parchment	F2UZ 3513 C	m		13.18

### 6 Switch, Signal

	3W1Z 1K359 BAB	m	1.0	59.57
--	----------------	---	-----	-------

### 7 Cylinder, Ign Lock

	1L3Z 11582 A	m	.5	83.62
--	--------------	---	----	-------

### 8 Transceiver, Anti-Theft

	3W1Z 15607 AA	m		39.79
--	---------------	---	--	-------

### 9 Column, Steering†

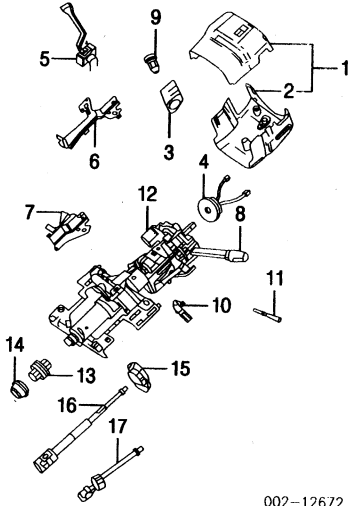
Base, LX, LX Sport Model				
Column Shift	3W1Z 3C529 BA	m	#2.5	d367.97
Floor Shift	3W7Z 3C529 AA	m	#2.5	d393.95
Police Model	3W1Z 3C529 BA	m	#2.5	d389.37

*†Additional Parts Required for Installation, Contact Dealer for Information*

10 Shaft, Upper Column #R&R Complete	3W1Z 3B676 AB	m #2.5	83.00
11 Shaft, Lower Column	5W1Z 3B676 AA	m .6	85.93

**COLUMN TILT  
2005-07**

Refinish Column Covers Complete	.5
Refinish Upper Column Cover	.3
Refinish Lower Column Cover	.3
R&I Steering Column	m 1.8
O/H Steering Column (Includes R&I)	m 2.9
Refinish Lower Column Cover	.3



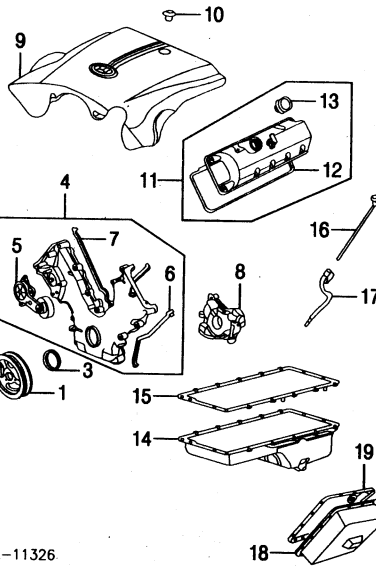
002-12672

<b>1 Cover, Upr Column</b>				
Black				
2005				
To 11-29-04	5W1Z 3530 AZP	m #3	12.52	
From 11-30-04	5W1Z 3530 BAB	m #3	29.28	
2006-07	5W1Z 3530 BAH	m #3	28.43	
Camel	5W1Z 3530 BAG	m #3	28.43	
Flint				
2005				
To 11-29-04	5W1Z 3530 AZS	m #3	8.30	
From 11-30-04	5W1Z 3530 BAE	m #3	29.28	
Parchment				
2005				
To 11-29-04	5W1Z 3530 AZN	m #3	29.28	
From 11-29-04	5W1Z 3530 BAA	m #3	29.28	
Stone	5W1Z 3530 BAJ	m #3	28.43	
<b>2 Cover, Lwr Column-Serviced w/Upr Column Cover</b>				
#R&R Complete				
<b>3 Insert, Cover w/Floor Shift</b>				
Black				
05	5W7Z 3530 AYB	m	27.75	
06-07	5W7Z 3530 AYE	m	27.88	
Camel	06-07 5W7Z 3530 AYD	m	27.88	
Flint	5W7Z 3530 AYC	m	28.72	
Parchment	05 5W7Z 3530 AYA	m	28.72	
Stone	06-07 5W7Z 3530 AYF	m	27.88	
<b>4 Clockspring-See Air Bag System Section</b>				
<b>5 Lever, Shift</b>				
Black				
05	5W1Z 7210 AAD	m .6	53.43	
06-07	5W1Z 7210 AAM	m .6	0.00	
Flint	5W1Z 7210 AAG	m .6	52.03	
Parchment	05 5W1Z 7210 AAA	m .6	59.62	
05	5W1Z 7E364 AA	m .6	29.30	
<b>6 Bkt, Shift Cable</b>				
<b>7 Bracket, Interlock</b>				
Floor Shift	5W7Z 7H178 AA	m	12.95	
<b>8 Switch, Signal</b>	5W1Z 13K359 A	m 1.0	92.44	
<b>9 Cylinder, Ign Lock</b>	5W1Z 11582 BA	m .5	63.64	
Transceiver, Anti-Theft	2S6Z 15607 BA	m	39.03	
<b>10 Actuator, Shift Lock</b>	5W1Z 3Z719 A	m	31.67	
<b>11 Handle, Tilt</b>	5W1Z 3F609 AA	m .1	4.67	
<b>12 Column, Steering</b>				
Column Shift				
Base, LX, LX Sport Model	05 6W1Z 3C529 A	m 2.5	653.33	
	06 6W1Z 3C529 A	m 2.5	653.33	
	07 7W1Z 3C529 A	m 2.5	773.63	
Police Model	05-06 6W1Z 3C529 B	m 2.5	653.33	
	07 7W1Z 3C529 B	m 2.5	778.67	
Floor Shift	05 5W7Z 3C529 AA	m 2.5	479.83	
	06 6W1Z 3C529 A	m 2.5	664.18	
	07 7W7Z 3C529 A	m 2.5	662.98	
*Order by Application				
<b>13 Coupler, Upper</b>	3W1Z 3A525 AA	m	64.42	
<b>14 Boot, Column</b>	2W7Z 3C611 AA	m	19.60	
<b>15 Collar, Column</b>	1W7Z 3F567 AA	m	8.17	
<b>16 Shaft, Upper</b>	5W1Z 3B676 AB	m	85.93	
<b>17 Shaft, Lower</b>	5W1Z 3B676 AA	m .6	85.93	

**ENGINE/TRANS**

Use Procedure Explanation 12 with the following text.

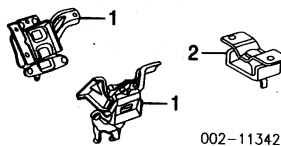
R&I Engine/Trans Assy	m 7.2
-----------------------	-------



002-11326

<b>1 Pulley, Crankshaft</b>	1W7Z 6312 AA	m 1.0	80.32
<b>2 Bolt, Pulley</b>	F5RZ 6A340 B		6.15
<b>3 Seal, Crankshaft</b>	F5AZ 6700 A	m #2	9.11
#w/Pulley Removed			
<b>4 Cover Assy, Front</b>	03-05 2W7Z 6019 AB	m 4.9	194.12
	06-07 6W7Z 6019 AA	m 4.9	165.92
<b>5 Tensioner, Belt</b>	2W7Z 6B209 AA	m .6	54.73
<b>6 Seal, Side Cover</b>	R/L F1AZ 6020 C-A	m	5.38
<b>7 Seal, Center Cover</b>	F6AZ 6020 BB	m	6.46
#Included w/Front Cover Assy			
<b>8 Pump, Oil</b>	5L3Z 6600 AA	m	62.76
<b>9 Cover, Engine</b>	4W1Z 9E766 AA	.2	30.94
<b>10 Fastener, Cover</b>	N808455 S100		5.19
<b>11 Cover Assy, Valve</b>	03-06 R 2C2Z 6582 EA	m #1.3	130.63
	L 2C2Z 6582 CB	m #1.3	117.58
	07 R/L 7W7Z 6582 BA-AA	m #1.3	82.92
#R&R Both 2.4			
<b>12 Gskt, Valve Cover (a)</b>	R/L 2C2Z 6584 AA-BA	m	18.43
<b>13 Cap, Oil Filler (a)</b>	L F1Z 6766 AA		10.04
(a) Included w/Valve Cover Assy			
<b>14 Pan, Eng Oil</b>	3W7Z 6675 BC	m #5	88.53
<b>15 Gskt, Eng Oil Pan</b>	3L3Z 6710 AA	m #5	26.03
#R&R Complete, w/Engine Removed			
<b>16 Dipstick, Eng Oil</b>			
2003			
To 5-15-02	3W7Z 6750 CA		14.33
From 5-16-02	3W7Z 6750 EA		25.40
2004-07	3W7Z 6750 EA		25.40
<b>17 Tube, Eng Oil Dipstick</b>			
2003			
To 5-15-02	3W7Z 6754 CA	.5	19.33
From 5-16-02	3W7Z 6754 EA	.5	17.77
2004-07	3W7Z 6754 EA	.5	17.77
<b>18 Pan, Trans Oil</b>	F6AZ 7A194 A	m #1.0	26.08
<b>19 Gskt, Trans Oil Pan</b>	F2VY 7A191 A	m #1.0	15.22
#R&R Complete			

**ENGINE/TRANS MOUNTS**



002-11342

<b>1 Mount, Engine</b>			
Right			
w/Heat Shield	R 3W1Z 6038 BB	#8	75.24
w/o Heat Shield	R 3W7Z 6038 AA	#8	63.11
Left	L 3W1Z 6038 BA	#1.1	41.11
#R&R Both 1.5			
<b>2 Mount, Trans</b>	3W1Z 6068 BA	1.5	35.27

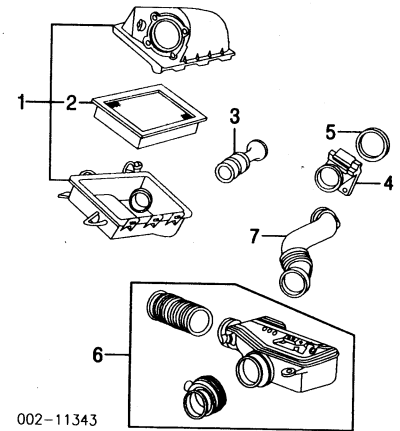
**AIR CLEANER**

2003-04

R&I Air Cleaner Assy	.3
----------------------	----

Illustration Located in Next Column

<b>1 Cleaner Assy, Air</b>			
2003	3W7Z 9600 BA	.5	215.47
2004			

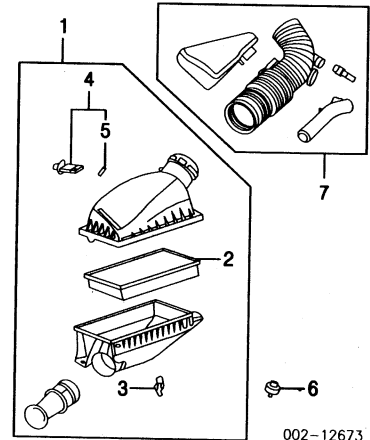


002-11343

Base, LX, LX Sport Model	3W7Z 9600 BA	.5	215.47
Police Model	6W7Z 9600 AA	.5	216.45
<b>2 Element, Cleaner</b>			
2003	ESTZ 9601 B	.3	13.22
2004			
Base, LX, LX Sport Model	ESTZ 9601 B	.3	13.22
Police Model	3W3Z 9601 CA	.3	22.11
#Included w/Air Cleaner Assy			
<b>3 Tube, Inlet</b>	F5AZ 9A624 AA	.3	12.38
<b>4 Meter, Air Flow</b>			
2003	3W7Z 12B579 BA	m #3	173.51
2004			
Base, LX, LX Sport Model	3W7Z 12B579 BA	m #3	173.51
Police Model	3W3Z 12B579 AA	m #3	209.82
<b>5 Gskt, Air Flow Meter</b>	F1AZ 9E931 A	m #3	16.00
#R&R Complete			
<b>Tube, Outlet</b>			
6 w/CNG	F6AZ 9B659 AC	.3	135.60
7 w/o CNG			
Base, LX, LX Sport Model	4W1Z 9B659 AA	.3	56.57
Police Model	04 4W7Z 9B659 AA	.3	44.53

**2005-07**

R&I Air Cleaner Assy	.3
----------------------	----



002-12673

<b>1 Cleaner Assy, Air</b>			
2003	6W1Z 9600 AA	.5	163.20
2004	ESTZ 9601 B	.3	13.22
<b>2 Element, Cleaner</b>			
05	F0DZ 9628 A	5.88	
06-07	6M6Z 9628 AA	8.28	
(a) As Required			
<b>4 Meter Assy, Air Flow</b>	3L3Z 12B579 BA	m .3	96.44
<b>5 O-Ring, Meter</b>	3L3Z 12B615 BA		4.77
#Included w/Air Cleaner Assy			
(b) Included w/Air Flow Meter Assy			
<b>6 Insulator, Mounting</b>			
Type 1 (3)	XW7Z 9P686 AA		4.35
Type 2	3W3Z 9P686 AB		7.97
<b>7 Tube, Outlet (c)</b>			
Base, LX, LX Sport Model	5W1Z 9B659 BE	.3	65.15
Police Model	5W7Z 9B659 BF	.3	49.35
(c) Order by Application			

**EXHAUST**

**DUAL EXHAUST**

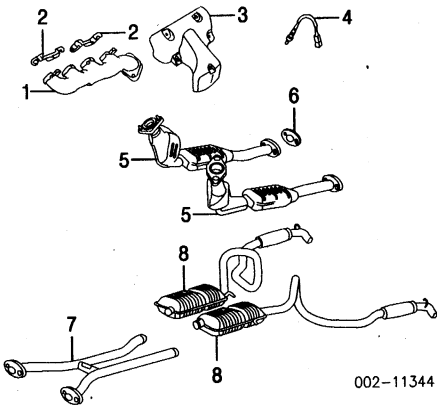
R&R Exhaust System Complete	#3.0
#Does Not Include R&R Exhaust Manifolds	



# CROWN VICTORIA 2003-07

## EXHAUST Cont'd

### DUAL EXHAUST Cont'd

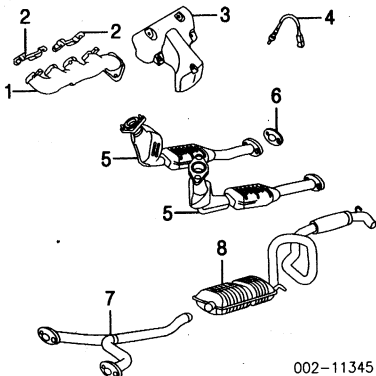


1 Manifold, Exhaust	R 4W7Z 9430 AA L 4W7Z 9431 AA	m #2.4 m #1.8	104.35 83.62
<b>#R&amp;R Both 3.0</b>			
2 Gskt, Manifold (2/Side)	R/L YC2Z 9448 A	m	29.88
3 Shield, Heat	R 3W7Z 9Y427 AA	.3	18.92
4 Sensor, Oxygen-See Emission System Section			
5 Converter/Pipe, Catalytic	R/L 3W7Z 5E212 AA-AB	#.9	1030.77
w/CNG			
2003			
To 6-3-02	R 6W1Z 5E212 D L 5W1Z 5E212 CC	#.9 #.9	717.62 1166.03
From 6-4-02	R/L 3W1Z 5E212 GA-GB	#.9	1023.13
2004			
To 12-1-03	R 4W1Z 5E212 A L 3W1Z 5E212 GB	#.9 #.9	594.23 1023.13
From 12-2-03	R/L 4W1Z 5E212 A-B R 5W1Z 5E212 BA L 5W1Z 5E212 BB	#.9 #.9 #.9	594.23 587.75 617.15
2005			
2006-07	R/L 6W1Z 5E212 B-F	#.9	595.02
<b>#Order by Application</b>			
<b>#R&amp;R Both 1.5</b>			
6 Gskt, Flange	03-05 R/L E9AZ 5E241 A 06-07 R/L N.A.	6.32 0.00	
7 Pipe, Center			
2003			
114" WB	4W7Z 5246 AA	1.1	139.55
120" WB	4W7Z 5246 CA	1.1	144.24
2004-05			
To 12-1-03			
114" WB	4W7Z 5246 AA	1.1	139.55
120" WB	4W7Z 5246 CA	1.1	144.24
From 12-2-03			
114" WB	4W7Z 5246 AA	1.1	139.55
120" WB	4W7Z 5246 CA	1.1	144.24
2006-07	N.A.	1.1	0.00
8 Muffler	6W7Z 5230 BB	1.1	142.10
<b>#Order by Application</b>			
<b>#R&amp;R Both 1.6</b>			

002-11344

### SINGLE EXHAUST

R&R Exhaust System Complete ..... #2.4  
**#Does Not Include R&R Exhaust Manifolds**

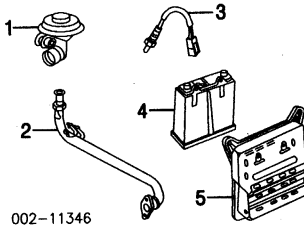


002-11345

1 Manifold, Exhaust	R 4W7Z 9430 AA L 4W7Z 9431 AA	m #2.4 m #1.8	104.35 83.62
<b>#R&amp;R Both 3.0</b>			
2 Gskt, Manifold (2/Side)	R/L YC2Z 9448 A	m	29.88
3 Shield, Heat	R 3W7Z 9Y427 AA	.3	18.92
4 Sensor, Oxygen-See Emission System Section			

5 Converter/Pipe, Catalytic	R/L 3W7Z 5E212 AA-AB	#.9	1030.77
w/CNG			
2003			
To 6-3-02	R 6W1Z 5E212 D L 5W1Z 5E212 CC	#.9 #.9	717.62 1166.03
From 6-4-02	R 4W1Z 5E212 A L 3W1Z 5E212 GB	#.9 #.9	594.23 1023.13
2004			
To 12-1-03	R 4W1Z 5E212 A L 3W1Z 5E212 GB	#.9 #.9	594.23 1023.13
From 12-2-03	R/L 4W1Z 5E212 A-B R 5W1Z 5E212 BA L 5W1Z 5E212 BB	#.9 #.9 #.9	594.23 587.75 617.15
2005			
2006-07	R/L 6W1Z 5E212 B-G	#.9	595.02
<b>#Order by Application</b>			
<b>#R&amp;R Both 1.5</b>			
6 Gskt, Flange	03-05 R/L E9AZ 5E241 A 06-07 R/L N.A.	6.32 0.00	
7 Pipe, Center			
2003			
114" WB	4W7Z 5246 AA	1.1	139.55
120" WB	4W7Z 5246 CA	1.1	144.24
2004-05			
To 12-1-03			
114" WB	4W7Z 5246 AA	1.1	139.55
120" WB	4W7Z 5246 CA	1.1	144.24
From 12-2-03			
114" WB	4W7Z 5246 AA	1.1	139.55
120" WB	4W7Z 5246 CA	1.1	144.24
2006-07	N.A.	1.1	0.00
8 Muffler	6W7Z 5230 BB	1.1	142.10

## EMISSION SYSTEM

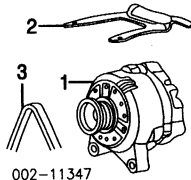


002-11346

1 Valve, EGR	03-05 3W7Z 9D475 BA 06-07 5W7Z 9D475 AA 3W7Z 9D477 BA	m #.5 m #.5 m #1.0	187.73 187.73 84.38
2 Tube, EGR	<b>#R&amp;R Both 1.2</b>		
3 Sensor, Oxygen			
Upper	R/L 5C5Z 9F472 BA	m .6	111.00
2003-04			
2005			
To 12-5-05	R/L 5C5Z 9F472 BA	m .6	111.00
From 12-6-05	R/L 6L7Z 9F472 BA	m .6	111.00
2006-07	R/L 6L7Z 9F472 BA	m .6	111.00
Lower	R/L 5W6Z 9C444 BA	m .6	94.00
4 Canister, Vapor	03-04 F6DZ 9D653 BA 05-07 6W1Z 9D653 AA	m .8 m .8	86.18 366.09
5 Bracket, Canister	XW1Z 9D665 AA		68.76
2003-04			
2005-07-Serviced w/Vapor Canister			

## ELECTRICAL

### ALTERNATOR



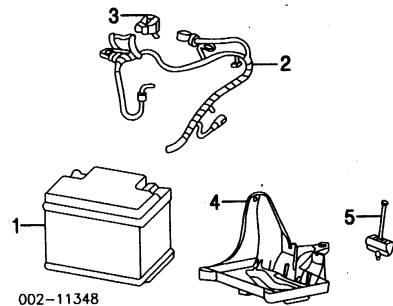
002-11347

1 Alternator			
120 Amp	05-06 6W1Z 10346 AA	m .9	346.27
130 Amp	3W1Z 10346 CA	m .9	287.97
200 Amp	03 4W7Z 10346 AD	m .9	377.67
	04-07 6W7Z 10346 AA	m .9	357.22
<b>#Order by Application</b>			
2 Bracket, Alternator			
2003-04			
Base, LX, LX Sport Model	1W7Z 10153 CA		20.42
Police Model	1W7Z 10153 DA		20.42
3 Belt, Drive-See Cooling Section			

### BATTERY

Illustration Located in Next Column

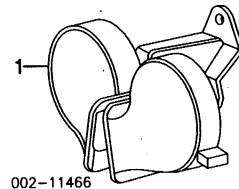
1 Battery	N.A.	.2	0.00
2 Cable, Battery			



002-11348

2003	3W7Z 14300 AA	.7	72.06
2004			
Base, LX, LX Sport Model	3W7Z 14300 AA	.7	72.06
Police Model	4W7Z 14300 AA	.7	197.64
2005			
Base, LX, LX Sport Model			
To 11-28-04	5W1Z 14300 AK	.7	75.36
From 11-29-04	5W1Z 14300 BB	.7	61.52
Police Model			
To 11-28-04	5W7Z 14300 CA	.7	62.58
From 11-29-04	5W7Z 14300 DA	.7	70.92
2006-07			
Base, LX, LX Sport Model	5W1Z 14300 BB	.7	61.52
Police Model	5W7Z 14300 DB	.7	70.92
3 Cap, Battery Terminal			
Negative	F75Z 14277 BA		5.23
Positive	03-04 XF1Z 14277 AA 05-07 5W1Z 14277 AA		4.37 7.42
4 Tray, Battery	3W1Z 10732 AA	#.4	36.30
<b>#Includes R&amp;R Battery</b>			
5 Hold-Down, Battery	6C2Z 10756 A		6.77

### HORN

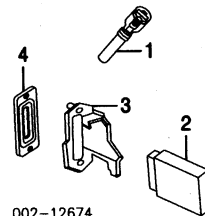


002-11466

1 Horn, Dual Note			
2003-04			
w/CNG	3W7Z 13832 AA	.3	63.33
w/o CNG	3W1Z 13832 AA	.3	38.90
2005-07	5W1Z 13832 AB	.3	44.82

### IGNITION

R&R Ignition Coils Complete	m .6	
-----------------------------	------	--



002-12674

1 Coil, Ignition (8)			
w/CNG	4W7Z 12029 AA	m .2	153.89
w/o CNG	3W7Z 12029 AA	m .2	88.04
2 Module, Ign Control			
Base, LX Model	3U7Z 12A650 EAC	m .5	478.78
LX Sport Model	3U7Z 12A650 EGC	m .5	502.08
Police Model			
w/Oil Cooler	3U7Z 12A650 EFD	m .5	498.78
w/o Oil Cooler	3W7Z 12A650 BFA	m .5	315.49
<b>#Order by Application</b>			
3 Bracket, Module	03 3W1Z 12A659 AB 04 4W1Z 12A659 AA 05-07 5W1Z 12A659 AA		30.08 30.55 15.02
4 Seal, Module	F5AZ 12B523 AC		8.29

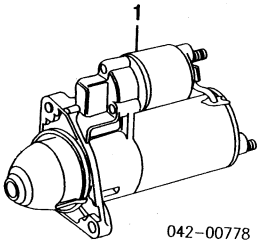
### STARTER

Illustration Located in Next Column

1 Starter			
New	05 5W1Z 11002 A 06-07 6W1Z 11002 AA	m .8 m .8	d193.97 193.97
Rebuilt	03-04 F7UZ 11002 AARM	m .8	R184.03



# CROWN VICTORIA 2003-07

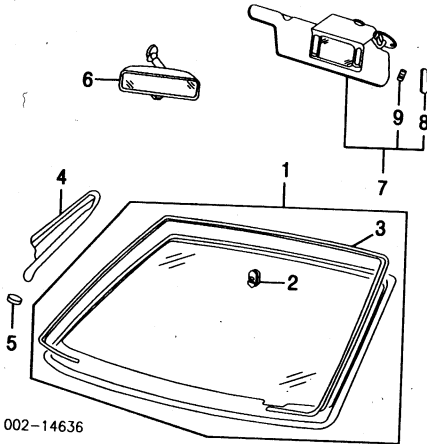


042-00778

## WINDSHIELD

Use Procedure Explanation 13 with the following text.

R&I Windshield..... #3.0  
 #Includes Clean Up Old Adhesive as Necessary



002-14636

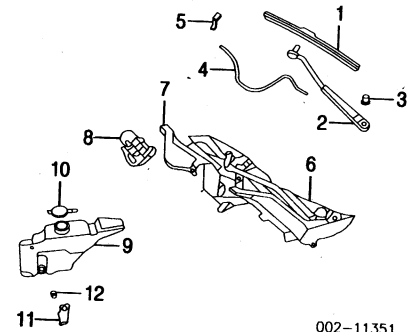
### 1 Glass Assy, Windshield

2003			
To 9-3-02	1W7Z 5403100 AA	#2.5	233.47
From 9-4-02 to 12-2-02	3W7Z 5403100 AA	#2.5	238.63
From 12-3-02	3W7Z 5403100 AB	#2.5	238.63
2004-07	3W7Z 5403100 AB	#2.5	238.63
NAGS			
2003			
To 9-3-02	DW01406GBY	#2.5	216.80
From 9-4-02			
Green	DW01506GTY	#2.5	216.80
Green/Blue Shade	DW01506GBY	#2.5	216.80
2004-07			
Green	DW01506GTY	#2.5	216.80
Green/Blue Shade	DW01506GBY	#2.5	216.80
Adhesive, Windshield	N.A.		0.00
#Includes Clean Up Old Adhesive as Necessary			
2 Bracket, Mirror (Adhesive)	F1TZ 17698 A		4.46
3 Moulding, Windshield	4W7Z 5403144 AA		47.03
#Included w/Windshield Glass Assy			
4 Garnish, Inside Windshield			
w/Spot Lamp			
2003			
Charcoal			
To 2-7-03	R 2W7Z 5403598 BAA	.2	35.73
	L 2W7Z 5403599 BAA	.2	35.73
From 2-8-03	R 3W7Z 5403598 BAD	.2	29.85
	L 3W7Z 5403599 BAD	.2	33.10
Flint			
To 2-4-03	R 3W7Z 5403598 BAA	.2	36.88
	L 3W7Z 5403599 BAA	.2	28.88
From 2-5-03	R 3W7Z 5403598 BAC	.2	31.83
	L 3W7Z 5403599 BAC	.2	29.45
Parchment			
R 3W7Z 5403598 BAB	.2	28.88	
L 3W7Z 5403599 BAB	.2	31.83	
2004			
Charcoal			
R 3W7Z 5403598 BAD	.2	29.85	
L 3W7Z 5403599 BAD	.2	33.10	
Flint			
R 3W7Z 5403598 BAC	.2	31.83	
L 3W7Z 5403599 BAC	.2	29.45	
Parchment			
R 3W7Z 5403598 BAB	.2	28.88	
L 3W7Z 5403599 BAB	.2	31.83	
2005			
Charcoal			
R 3W7Z 5403598 BAD	.2	29.85	
L 3W7Z 5403599 BAD	.2	33.10	
Flint			
R 3W7Z 5403598 BAC	.2	31.83	
L 3W7Z 5403599 BAC	.2	29.45	
Parchment			
R 3W7Z 5403598 BAB	.2	28.88	
L 3W7Z 5403599 BAB	.2	31.83	
2006-07			
Camel			
R 6W7Z 5403598 BAB	.2	21.65	
L 6W7Z 5403599 BAB	.2	21.65	
Charcoal			
R 6W7Z 5403598 BAC	.2	21.65	
L 6W7Z 5403599 BAC	.2	21.65	

Stone	R 6W7Z 5403598 BAA	.2	21.65
	L 6W7Z 5403599 BAA	.2	16.48
w/o Spot Lamp			
2003			
Charcoal			
To 2-7-03	R 1W7Z 5403598 AAC	.2	41.08
	L 1W7Z 5403599 AAC	.2	41.08
From 2-8-03	R 3W7Z 5403598 AAC	.2	33.10
	L 3W7Z 5403599 AAC	.2	34.48
Flint			
To 2-5-03	R 1W7Z 5403598 AAE	.2	43.23
	L 1W7Z 5403599 AAE	.2	36.35
From 2-6-03	R 3W7Z 5403598 AAB	.2	33.10
	L 3W7Z 5403599 AAB	.2	31.03
Parchment			
To 2-7-03	R 1W7Z 5403598 AAA	.2	36.58
	L 1W7Z 5403599 AAA	.2	39.52
From 2-8-03	R 3W7Z 5403598 AAA	.2	31.03
	L 3W7Z 5403599 AAA	.2	29.45
2004			
Charcoal			
R 3W7Z 5403598 AAC	.2	33.10	
L 3W7Z 5403599 AAC	.2	34.48	
Flint			
R 3W7Z 5403598 AAB	.2	33.10	
L 3W7Z 5403599 AAB	.2	31.03	
Parchment			
To 12-1-03	R 3W7Z 5403598 AAA	.2	31.03
	L 3W7Z 5403599 AAA	.2	29.45
From 12-2-03	R 5W7Z 5403598 AAA	.2	29.90
	L 5W7Z 5403599 AAA	.2	29.90
2005			
Charcoal			
R 3W7Z 5403598 AAC	.2	33.10	
L 3W7Z 5403599 AAC	.2	34.48	
Flint			
R 3W7Z 5403598 AAB	.2	33.10	
L 3W7Z 5403599 AAB	.2	31.03	
Parchment			
R 5W7Z 5403598 AAA	.2	29.90	
L 5W7Z 5403599 AAA	.2	29.90	
2006-07			
Camel			
R 6W7Z 5403598 BAB	.2	21.65	
L 6W7Z 5403599 BAB	.2	21.65	
Charcoal			
R 6W7Z 5403598 AAC	.2	21.65	
L 6W7Z 5403599 AAC	.2	30.50	
Stone			
R 6W7Z 5403598 AAA	.2	21.65	
L 6W7Z 5403599 AAA	.2	66.10	
R F2AZ 5403700 A			9.44
L F2AZ 5403701 A			d13.13
5 Retainer, Garnish			
6 Mirror, Rear View			
Manual	6U5Z 17700 A	.2	28.43
Electrochromic			
Factory Installed			
w/Compass	4W4Z 17700 AA	.2	394.57
w/o Compass	6U5Z 17700 AA	.2	126.52
Dealer Installed			
w/Temperature Display	4L3Z 17700 B	.2	425.97
w/o Temperature Display	F6AZ 17700 A	.2	234.22
7 Visor Assy, Sun			
Right			
2003			
Single			
Charcoal	R 4W7Z 5404104 CAB	.2	140.30
Flint	R 4W7Z 5404104 CAC	.2	140.30
Parchment	R 4W7Z 5404104 CAA	.2	136.00
Dual			
Illum Mirror			
Charcoal	R 3W7Z 5404104 DAD	.2	188.05
Flint	R 3W7Z 5404104 DAB	.2	176.17
Parchment	R 3W7Z 5404104 DAA	.2	144.90
Non-Illum Mirror			
Charcoal	R 4W7Z 5404104 DAC	.2	129.90
Flint	R 4W7Z 5404104 DAD	.2	124.90
Parchment	R 4W7Z 5404104 DAB	.2	140.30
2004			
w/Mirror			
Illuminated			
Charcoal	R 4W7Z 5404104 EAB	.2	134.90
Flint	R 4W7Z 5404104 EAC	.2	140.30
Parchment (a)	R 4W7Z 5404104 EAA	.2	134.90
Non-Illuminated			
Charcoal	R 4W7Z 5404104 DAC	.2	129.90
Flint	R 4W7Z 5404104 DAD	.2	124.90
Parchment (a)	R 4W7Z 5404104 DAA	.2	124.90
2005 (a)			
w/Electrochromic Mirror			
Charcoal	R 5W7Z 5404104 BAB	.2	56.17
Flint	R 5W7Z 5404104 BAC	.2	54.00
Parchment	R 5W7Z 5404104 BAA	.2	56.17
w/o Electrochromic Mirror			
Charcoal	R 5W7Z 5404104 AAB	.2	56.17
Flint	R 5W7Z 5404104 AAC	.2	50.00
Parchment	R 5W7Z 5404104 AAA	.2	56.17
2006-07			
w/Mirror			
Illuminated			
Camel	R 6W7Z 5404104 BAB	.2	50.00
Charcoal	R 6W7Z 5404104 BAC	.2	56.17
Stone	R 6W7Z 5404104 BAA	.2	54.00
w/o Mirror			
Non-Illum Mirror			
Camel	R 6W7Z 5404104 AAB	.2	56.17
Charcoal	R 6W7Z 5404104 AAC	.2	56.17
Stone	R 6W7Z 5404104 AAA	.2	56.17
Left			
2003			
Single			
Charcoal	L 4W7Z 5404105 CAB	.2	140.30
Flint	L 4W7Z 5404105 CAC	.2	140.30
Parchment	L 4W7Z 5404105 CAA	.2	129.90
Dual			
Illum Mirror			

Charcoal	L 3W7Z 5404105 DAD	.2	180.38
Flint	L 3W7Z 5404105 DAB	.2	195.73
Parchment	L 3W7Z 5404105 DAA	.2	173.45
Non-Illum Mirror			
Charcoal	L 4W7Z 5404105 DAC	.2	140.30
Flint	L 4W7Z 5404105 DAD	.2	133.13
Parchment	L 4W7Z 5404105 DAB	.2	140.30
2004			
Single			
Charcoal	L 4W7Z 5404105 CAB	.2	140.30
Flint	L 4W7Z 5404105 CAC	.2	140.30
Parchment (a)	L 4W7Z 5404105 CAA	.2	129.90
Dual			
Illum Mirror			
Charcoal	L 4W7Z 5404105 EAB	.2	124.90
Flint	L 4W7Z 5404105 EAC	.2	140.30
Parchment	L 4W7Z 5404105 EAA	.2	124.90
Non-Illum Mirror			
Charcoal	L 4W7Z 5404105 DAC	.2	140.30
Flint	L 4W7Z 5404105 DAD	.2	133.13
Parchment (a)	L 4W7Z 5404105 DAA	.2	124.90
2005 (a)			
w/Electrochromic Mirror			
Charcoal	L 5W7Z 5404105 BAB	.2	54.00
Flint	L 5W7Z 5404105 BAC	.2	56.17
Parchment	L 5W7Z 5404105 BAA	.2	56.17
w/o Electrochromic Mirror			
Charcoal	L 5W7Z 5404105 AAB	.2	56.17
Flint	L 5W7Z 5404105 AAC	.2	56.17
Parchment	L 5W7Z 5404105 AAA	.2	56.17
2006-07			
Illum Mirror			
Camel	L 6W7Z 5404105 BAB	.2	50.67
Charcoal	L 6W7Z 5404105 BAC	.2	56.17
Stone	L 6W7Z 5404105 BAA	.2	50.00
Non-Illum Mirror			
Camel	L 6W7Z 5404105 AAB	.2	56.17
Charcoal	L 6W7Z 5404105 AAC	.2	56.17
Stone	L 6W7Z 5404105 AAA	.2	56.17
(a) Order by Application			
8 Lens, Mirror Lamp (c) (2/Side)	R/L E7SZ 17C706 A		13.55
9 Bulb, Mirror Lamp (c) (2/Side)	R/L E9SZ 13466 B		3.42
(c) Included w/Sun Visor Assy			

## WIPER SYSTEM



002-11351

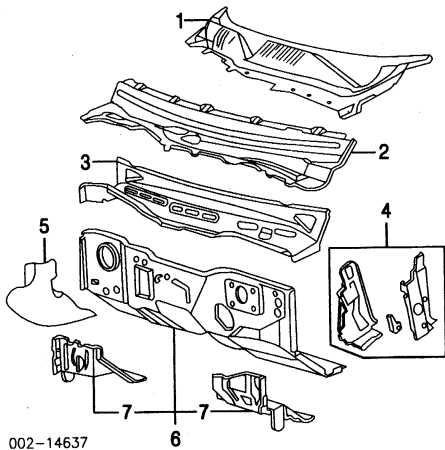
1 Blade, Wiper	03-04 R/L 3W7Z 17528 BA	.1	15.62
	05-07 R/L 4W1Z 17528 AA	.1	15.62
	03-04 R 3W7Z 17526 BA	#2	22.75
	L 3W7Z 17526 BA	#2	22.91
	05-07 R/L 5W7Z 17526 AA-BA	#2	14.15
	#Includes R&R Wiper Blade		
3 Nut, Wiper Arm	R/L N811760 S61		5.24
4 Hose, Washer			
To Reservoir			
2003-04	3W7Z 17K605 BA		13.42
2005			
To 12-5-05	5W7Z 17K605 AA		7.22
From 12-6-05	6W7Z 17K605 B		6.95
2006-07	6W7Z 17K605 B		6.95
To Nozzle			
2003-04	3W7Z 17K605 AA		16.43
2005			
To 12-5-05	3W7Z 17K605 AA		16.43
From 12-6-05	6W7Z 17K605 A		6.95
2006-07	6W7Z 17K605 A		6.95
5 Nozzle, Washer	R/L 3W7Z 17603 AA	.2	10.12
6 Link, Wiper	6W7Z 17566 BA		126.05
7 Cover, Wiper Link	3W7Z 17C569 AA		29.82
8 Motor, Wiper	6W7Z 17508 AC	1.0	149.33
9 Reservoir, Washer			
w/Low Fluid Indicator	YW7Z 17618 BA	#3	62.72
w/o Low Fluid Indicator	YW7Z 17618 AA	#3	48.72
10 Cap, Reservoir	F7UZ 17632 AA		4.68
11 Pump, Washer	6F1Z 17664 A	#3	32.93
12 Sensor, Fluid	F2AZ 17B649 A	#3	15.03
#R&R Complete			

## COWL & DASH

Use Procedure Explanations 14 and 28 with the following text.

# CROWN VICTORIA 2003-07

## COWL & DASH Cont'd



002-14637

1 Screen, Cowl Top	6W7Z 540228 AA	#.5	99.13
<i>#Includes R&amp;R/Wiper Arms</i>			
2 Panel, Outer Cowl Top	3W7Z 5402012 AA	7.0	320.42
3 Panel, Inner Cowl Top	03 4W7Z 5402018 AA	#8.5	120.22
<i>#Includes R&amp;R Outer Cowl Top Panel</i>			
4 Panel, Side Cowl	R 1W1Z 5402038 AA	#2.5	60.00
	L F8AZ 5402039 AA	#2.5	107.77
<i>#w/Cowl Top Panel Removed Deduct 1.0</i>			
5 Panel, Side Cowl Trim			
2003-05			
Charcoal	R 3W7Z 5402344 AAC	.2	18.90
	L 3W7Z 5402345 AAC	.2	18.35
Flint	R 3W7Z 5402344 AAB	.2	18.15
	L 3W7Z 5402345 AAB	.2	18.35
Parchment	R 3W7Z 5402344 AAA	.2	18.90
	L 3W7Z 5402345 AAA	.2	16.22
2006-07			
Camel	R 6W7Z 5402344 AAC	.2	13.18
	L 6W7Z 5402345 AAC	.2	9.48
Charcoal	R 6W7Z 5402344 AAA	.2	17.45
	L 6W7Z 5402345 AAA	.2	12.43
Stone	R 6W7Z 5402344 AAB	.2	13.18
	L 6W7Z 5402345 AAB	.2	37.77
6 Panel Assy, Dash	03-04 3W7Z 5401610 AA	#12.5	199.60
	05-07 5W7Z 5401610 AA	#12.5	102.13
<i>#Includes R&amp;R Dash Panel Braces, w/Inner Cowl Top Panel Removed Deduct 2.5, w/Cowl Side Panel Removed Deduct 1.5</i>			
7 Brace, Dash Panel (a)	03-04 R 3W1Z 5401714 AA	2.5	72.10
	L 3W1Z 5401715 AA	2.5	72.10
	05-07 R 5W7Z 5401714 AA	2.5	64.57
	L 3W7Z 5401715 AA	2.5	64.87
<i>(a) Included w/Dash Panel Assy</i>			
<i>Nozzle, Washer-See Windshield Section</i>			

## INSTRUMENT PANEL

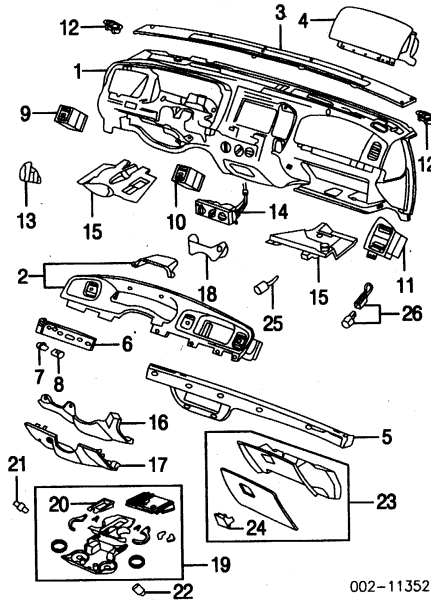
Use Procedure Explanation 14 with the following text.

R&I Instrument Panel ..... m #5.2  
*#Includes R&I Steering Column Assy*

NOTE: All Parts in this section are included in R&I Instrument Panel unless noted otherwise.

Illustration Located in Next Column

1 Panel, Instrument			
2003			
Black	4W7Z 5404320 AAB	m #7.0	1236.10
Flint	4W7Z 5404320 AAC	m #7.0	1236.10
Parchment	1W7Z 5404320 UAA	m #7.0	1297.40
2004			
Black	4W7Z 5404320 AAB	m #7.0	1236.10
Flint	4W7Z 5404320 AAC	m #7.0	1236.10
Parchment			
To 12-1-03	1W7Z 5404320 UAA	m #7.0	1297.40
From 12-2-03	4W7Z 5404320 AAA	m #7.0	1089.17
2005			
To 11-28-04			
Black	5W7Z 5404320 BAB	m #7.0	1144.53
Flint	5W7Z 5404320 BAC	m #7.0	1235.92
Parchment	5W7Z 5404320 BAA	m #7.0	1089.17
From 11-29-04			
Black	5W7Z 5404320 DAB	m #7.0	1235.92
Flint	5W7Z 5404320 DAC	m #7.0	1211.40
Parchment	5W7Z 5404320 DAA	m #7.0	1235.92
2006-07			
Camel	6W7Z 5404320 BA	m #7.0	1798.38
Charcoal	6W7Z 5404320 BB	m #7.0	1798.38
Stone	6W7Z 5404320 BC	m #7.0	1529.55
<i>#Includes R&amp;I Steering Column Assy &amp; R&amp;R Main Wire Harness</i>			
2 Panel, Cluster			
2003-04			
w/Taxi Pkg	1W7Z 54044D70 CAA	m 1.1	369.38
w/o Taxi Pkg			



002-11352

Analog Gauges	03 3W7Z 54044D70 AAD	m 1.1	98.83
	04 N.A.	m 1.1	0.00
Digital Gauges	3W7Z 54044D70 BAA	m 1.1	120.67
w/Taxi Pkg	5W7Z 54044D70 CAA	m 1.1	367.68
w/o Taxi Pkg			
Analog Gauges			
Black	5W7Z 54044D70 AAB	m 1.1	102.62
Flint	5W7Z 54044D70 AAC	m 1.1	104.68
Parchment	5W7Z 54044D70 AAM	m 1.1	92.25
Digital Gauges			
Black	5W7Z 54044D70 BAB	m 1.1	96.95
Flint	5W7Z 54044D70 BAC	m 1.1	109.43
Parchment	5W7Z 54044D70 BAA	m 1.1	94.12
2006-07			
w/Taxi Pkg	6W7Z 54044D70 CA	m 1.1	367.68
w/o Taxi Pkg			
Camel	6W7Z 54044D70 AA	m 1.1	104.68
Charcoal	6W7Z 54044D70 AB	m 1.1	104.68
Stone	6W7Z 54044D70 AC	m 1.1	104.68
3 Grille, Defroster Opening			
2003			
w/CNG	4W7Z 54044E82 BAA	.5	169.20
w/o CNG			
Base, LX, LX Sport Model	4W7Z 54044E82 AAA	.5	169.20
Police Model	4W7Z 54044E82 BAA	.5	169.20
2004			
To 3-4-04			
w/CNG	4W7Z 54044E82 BAA	.5	169.20
w/o CNG			
Base, LX, LX Sport Model	4W7Z 54044E82 AAA	.5	169.20
Police Model	4W7Z 54044E82 BAA	.5	169.20
From 3-5-04			
w/CNG	4W7Z 54044E82 BAA	.5	169.20
w/o CNG			
Base, LX, LX Sport Model	4W7Z 54044E82 AAA	.5	169.20
Police Model	4W7Z 54044E82 BAA	.5	169.20
2005			
Base, LX, LX Sport Model			
To 11-28-04	4W7Z 54044E82 AAA	.5	169.20
From 11-29-04	5W7Z 54044E82 AAA	.5	176.28
Police Model	4W7Z 54044E82 BAA	.5	169.20
2006			
Base, LX, LX Sport Model			
To 11-28-04	5W7Z 54044E82 AAA	.5	176.28
From 11-29-04	6W7Z 54044E82 AA	.5	196.10
Police Model	6W7Z 54044E82 BA	.5	74.17
2007			
Base, LX, LX Sport Model	6W7Z 54044E82 AA	.5	196.10
Police Model	6W7Z 54044E82 BA	.5	74.17
4 Module, Passenger Air Bag-See Air Bag System Section			
5 Panel, Finish			
2003			
Base, LX, LX Sport Model			
Black	R 3W7Z 54046A62 AAC	.4	151.45
Flint	R 3W7Z 54046A62 AAB	.4	151.45
Parchment	R 3W7Z 54046A62 AAA	.4	151.45
Police Model			
w/CNG			
Black	R 3W7Z 54046A62 AAC	.4	151.45
Flint	R 3W7Z 54046A62 AAB	.4	151.45
Parchment	R 3W7Z 54046A62 AAA	.4	151.45
w/o CNG			
Black	R 3W7Z 54046A62 BAC	.4	151.45
Flint	R 3W7Z 54046A62 BAB	.4	151.45
Parchment	R 3W7Z 54046A62 BAA	.4	151.45
2004			
To 11-9-03			
Base, LX, LX Sport Model			
Black	R 3W7Z 54046A62 AAC	.4	151.45
Flint	R 3W7Z 54046A62 AAB	.4	151.45
Parchment	R 3W7Z 54046A62 AAA	.4	151.45

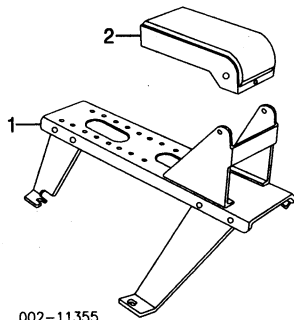
Police Model			
Black	R 3W7Z 54046A62 BAC	.4	151.45
Flint	R 3W7Z 54046A62 BAB	.4	151.45
Parchment	R 3W7Z 54046A62 BAA	.4	151.45
From 11-10-03			
Base, LX, LX Sport Model			
Black	R 4W7Z 54046A62 AAC	.4	150.75
Flint	R 4W7Z 54046A62 AAD	.4	123.00
Parchment	R 4W7Z 54046A62 AAB	.4	135.52
Police Model			
Black	R 4W7Z 54046A62 BAA	.4	150.75
Flint	R 4W7Z 54046A62 BAD	.4	150.75
Parchment	R 4W7Z 54046A62 BAB	.4	150.75
2005			
Base, LX, LX Sport Model			
Black	R 5W7Z 54046A62 AAB	.4	150.75
Flint	R 5W7Z 54046A62 AAC	.4	150.75
Parchment	R 5W7Z 54046A62 AAB	.4	150.75
Police Model			
Black	R 5W7Z 54046A62 BAB	.4	150.75
Flint	R 5W7Z 54046A62 BAC	.4	150.75
Parchment	R 5W7Z 54046A62 BAA	.4	150.75
2006-07			
Base, LX, LX Sport Model			
w/Message Center			
Camel	R 6W7Z 54046A62 AA	.4	150.75
Charcoal	R 6W7Z 54046A62 AB	.4	150.75
Stone	R 6W7Z 54046A62 AC	.4	150.75
w/o Message Center			
Camel	R 6W7Z 54046A62 CA	.4	150.75
Charcoal	R 6W7Z 54046A62 CB	.4	150.75
Stone	R 6W7Z 54046A62 CC	.4	150.75
Police Model			
Camel	R 6W7Z 54046A62 BA	.4	150.75
Charcoal	R 6W7Z 54046A62 BB	.4	150.75
Stone	R 6W7Z 54046A62 BC	.4	150.75
6 Left			
Base, LX, LX Sport Model			
Black			
w/Adjustable Pedals	L 3W7Z 54046A63 CAC	.2	73.47
w/o Adjustable Pedals	L 3W7Z 54046A63 AAD	.2	69.70
Camel			
w/Adjustable Pedals	L 6W7Z 54046A63 CB	.2	56.08
w/o Adjustable Pedals	L 6W7Z 54046A63 AB	.2	56.08
Charcoal			
w/Adjustable Pedals	L 6W7Z 54046A63 CA	.2	56.08
w/o Adjustable Pedals	L 6W7Z 54046A63 AA	.2	56.08
Flint			
w/Adjustable Pedals	L 3W7Z 54046A63 DAD	.2	102.73
w/o Adjustable Pedals	L 3W7Z 54046A63 AAC	.2	69.70
Parchment			
w/Adjustable Pedals	L 3W7Z 54046A63 DAA	.2	85.17
w/o Adjustable Pedals	L 3W7Z 54046A63 BAB	.2	76.22
Stone			
w/Adjustable Pedals	L 6W7Z 54046A63 CC	.2	150.75
w/o Adjustable Pedals	L 6W7Z 54046A63 AC	.2	56.08
Police Model			
Black			
w/Adjustable Pedals	L 3W7Z 54046A63 HAC	.2	91.30
w/o Adjustable Pedals	L 3W7Z 54046A63 EAC	.2	37.25
Camel			
w/Adjustable Pedals	L 6W7Z 54046A63 FC	.2	60.15
w/o Adjustable Pedals	L 6W7Z 54046A63 EB	.2	37.08
Charcoal			
w/Adjustable Pedals	L 6W7Z 54046A63 FA	.2	37.08
w/o Adjustable Pedals	L 6W7Z 54046A63 EA	.2	37.08
Flint			
w/Adjustable Pedals	L 3W7Z 54046A63 HAB	.2	91.30
w/o Adjustable Pedals	L 3W7Z 54046A63 EAB	.2	37.25
Parchment			
w/Adjustable Pedals	L 3W7Z 54046A63 FAA	.2	66.92
w/o Adjustable Pedals	L 3W7Z 54046A63 EAA	.2	37.25
Stone			
w/Adjustable Pedals	L 6W7Z 54046A63 FB	.2	34.33
w/o Adjustable Pedals	L 6W7Z 54046A63 EC	.2	37.08
<i>#Order by Application</i>			
7 Switch, Pedal Adjust	7W7Z 9G604 A	.2	14.57
8 Switch, Traction Control	3W7Z 2C335 AA	.2	19.57
9 Vent, Left Air	L F7AZ 19893 AA	.2	23.37
10 Vent, Center Air	R 4W7Z 19893 AAB	.2	78.15
	L F7AZ 19893 AA	.2	23.37
11 Vent, Right Air			
Black	R 4W7Z 19893 AAB	.2	78.15
Camel	R 6W1Z 19893 AA	.2	46.30
Charcoal	R 6W1Z 19893 AB	.2	46.30
Flint	R F8AZ 19893 AAC	.2	31.15
Parchment	R F8AZ 19893 AAD	.2	17.95
Stone	R 3W1Z 19893 CAC	.2	46.37
<i>#Order by Application</i>			
12 Vent, Side Defroster			
Black	R YS3Z 54046A76 AAA	.2	9.13
	L YS3Z 54046A77 AAA	.2	8.75
Camel	R 6W7Z 54046A76 AA	.2	4.22
	L 6W7Z 54046A77 AA	.2	4.22
Charcoal	R 6W7Z 54046A76 AB	.2	4.22
	L 6W7Z 54046A77 AB	.2	4.22
Flint	R/L N.A.	.2	0.00
Parchment	R XW3Z 54046A76 AAA	.2	d17.40
	L XW3Z 54046A77 AAA	.2	7.95
Stone	R 6W7Z 54046A76 AC	.2	4.22
	L 6W7Z 54046A77 AC	.2	4.22
13 Switch, Headlamp			
Base, LX, LX Sport Model			
03 4W7Z 11654 AAB	.2	81.31	
04-07 4W7Z 11654 AAB	.2	81.31	
Police Model			
03 2W7Z 11654 AA	.2	183.67	
04-07 4W7Z 11654 BAA	.2	85.42	
14 Control, A/C Heater			
w/ATC			
3W7Z 19980 AA	m	.5	570.65
w/o ATC			
F8AZ 19980 AA	m	.5	26.00
<i>#Order by Application</i>			
15 Insulator, Sound			
2003			
R 3W7Z 5404			



# CROWN VICTORIA 2003-07

## CENTER CONSOLE Cont'd

### POLICE MODEL Cont'd



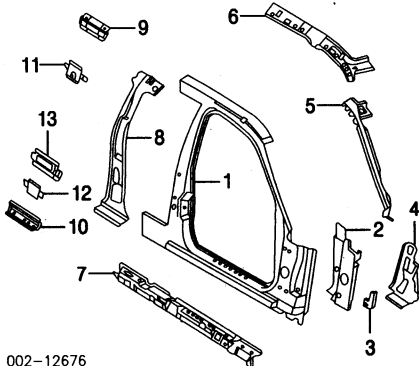
002-11355

## ROCKER/PILLARS/FLOOR

Use Procedure Explanations 14, 15 and 28 with the following text.

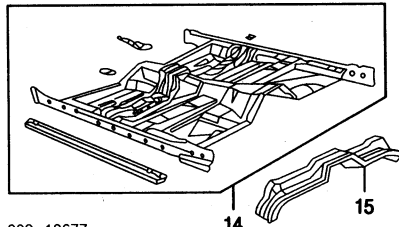
### SHEET METAL

Refinish Door Opening Frame.....	R/L	3.5
Refinish Hinge Pillar.....	R/L	1.0
Refinish Center Pillar & Rocker Panel.....	R/L	2.5
Refinish Rocker Panel Complete.....	R/L	1.6
Refinish Roof Rail.....	R/L	1.2
Section Hinge Pillar.....	R/L	#7.0
<i>#Time is to Cut in Door Opening &amp; Window Opening</i>		
Section Center Pillar & Rocker Panel.....	R/L	#11.5
<i>#Cut below Roof &amp; through Door Openings</i>		
Section Front Rocker Panel.....	R/L	#6.0
Section Rear Rocker Panel.....	R/L	#6.0
<i>#Cut in Door Opening</i>		



002-12676

1 Frame, Door Opening	R 3W7Z 54211A10 AA	22.5	453.37
	L 3W7Z 54211A11 AA	22.5	457.72
2 Reinf, Pillar	R F8AZ 5422842 AA	1.5	73.07
	L 5W7Z 5422843 A	1.5	68.12
3 Reinf, Door Opng	R F8AZ 54204A06 AA	.5	61.92
	L F8AZ 54204A07 AA	.5	19.33
4 Panel, Side Cowl-See Cowl & Dash Section	R 1W1Z 5402508 AA	1.5	97.70
	L 1W1Z 5402509 AA	1.5	97.70
6 Rail, Inner Roof-See Roof Section	R F8AZ 5420402 AA	3.5	112.13
	L F8AZ 5420403 AA	3.5	112.13
8 Pillar, Inner Center	R 4W1Z 5424300 AA	2.0	108.87
	L 4W1Z 5424301 AA	2.0	87.12
Extension, Rear Door Opng			
120" WB			
9 Upper	R 2W7Z 54279C90 BA	.5	93.33
	L 2W7Z 54279C91 BA	.5	93.33
10 Lower	R 2W7Z 54279C90 AA	.5	81.62
	L 2W7Z 54279C91 AA	.5	88.05
11 Extension, Inner Roof Rail			
120" WB-See Roof Section			
12 Extension, Sidemember	R/L YW1Z 5410254 AA		130.87
13 Ext, Rear Door Opng Reinf			
120" WB	R 2W7Z 5420402 AA	.5	82.85
	L 2W7Z 5420403 AA	.5	82.85
Illustration Located in Next Column			
14 Pan, Front Floor			
2003	3W7Z 5411135 AA	#20.5	2295.43
2004			
To 12-6-04	3W7Z 5411135 AA	#20.5	2295.43

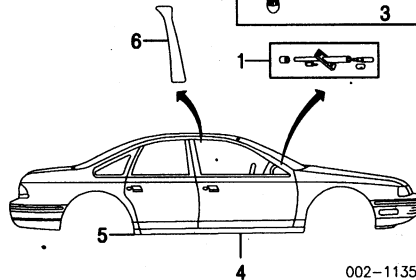
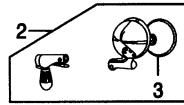


002-12677

From 12-7-04	5W7Z 5411135 A	#20.5	699.50
2005-07	5W7Z 5411135 A	#20.5	699.50
<i>#Includes R&amp;R Front Floor Crossmember, Deduct 2.5 for Each Inner Rocker Panel Removed</i>			
15 Crossmember, Front Floor	2W1Z 5410776 AA	4.5	109.42

### EXTERIOR TRIM

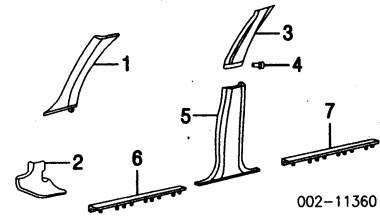
R&I Spotlight Assy.....	R/L	.3	
R&I Rocker Moulding Complete.....	R/L	.4	
Add to R&R Spotlight Assy			
To Drill for Installation.....	R/L	.3	



002-11359

1 Bracket, Spotlight			
Police Model	R F8AZ 15304 AAA		58.80
	L F8AZ 15305 BAA		51.26
2 Spotlight Assy			
Police Model			
2003			
To 7-22-02	R 7W7Z 15312 AA	.3	183.04
	L F8AZ 15312 BA	.3	183.04
From 7-23-02	R 3W7Z 15312 AAA	.3	250.54
	L 3W7Z 15312 BAA	.3	227.14
2004			
	R 3W7Z 15312 AAA	.3	250.54
	L 3W7Z 15312 BAA	.3	227.14
2005			
To 12-5-05	R 6W7Z 15312 BAA	.3	227.14
	L 6W7Z 15312 AAA	.3	250.54
From 12-6-05	R 6W7Z 15312 AA	.3	148.63
	L 6W7Z 15312 BA	.3	250.54
2006			
	R 6W7Z 15312 AA	.3	148.63
	L 6W7Z 15312 BA	.3	250.54
2007			
	R 7W7Z 15312 AA	.3	183.04
	L 7W7Z 15312 BA	.3	0.00
3 Bulb, Spotlight			
Police Model			
2003 (a)			
To 7-23-02	R/L F8AZ 15330 AA	.2	111.18
From 7-24-02	R/L N.A.	.2	0.00
2004-07	R/L N.A.	.2	0.00
<i>#Included w/Spotlight Assy</i>			
<i>(a) Dealer Contact Required</i>			
4 Moulding, Front Rocker			
114" WB	R 1W7Z 5410176 AAA	#.3	72.15
	L 1W7Z 5410177 AAA	#.3	72.15
120" WB	R 2W7Z 5410176 AAA	#.3	103.25
	L 2W7Z 5410177 AAA	#.3	103.67
5 Moulding, Rear Rocker (a)			
	R 2W7Z 54101C48 AAA	#.3	14.03
	L 2W7Z 54101C49 AAA	#.3	14.03
<i>(a) Order by Application</i>			
<i>#R&amp;R One Side Complete A</i>			
Retainer, Moulding (b)	R/L F6AZ 5410182 AA		6.10
<i>(b) As Required</i>			
6 Trim, Center Pillar			
2003-04	R F8AZ 54243B00 AAA	.2	29.82
	L F8AZ 54243B01 AAA	.2	27.53
2005			
To 3-30-05	R F8AZ 54243B00 AAA	.2	29.82
	L F8AZ 54243B01 AAA	.2	27.53
From 3-31-05	R 5W7Z 54243B00 AA	.2	8.75
	L 5W7Z 54243B01 AA	.2	9.02
2006-07	R 5W7Z 54243B00 AA	.2	8.75
	L 5W7Z 54243B01 AA	.2	9.02

## INTERIOR TRIM

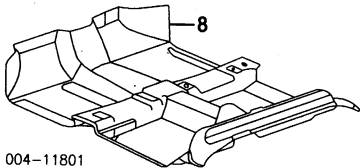


002-11360

- Garnish, Inside Windshield-See Windshield Section
- Panel, Side Cowl Trim-See Cowl & Dash Section
- Trim, Upr Center Pillar

2003			
Charcoal	R 1W7Z 5424346 AAC	.2	33.30
	L 1W7Z 5424347 AAC	.2	33.05
Flint	R 3W7Z 5424346 AAR	.2	54.10
	L 1W7Z 5424347 AAE	.2	57.72
Parchment	R 1W7Z 5424346 AAA	.2	33.30
	L 1W7Z 5424347 AAA	.2	33.30
2004			
w/Sunroof			
To 12-1-03			
Charcoal	R 4W7Z 5424356 AAB	.2	35.43
	L 4W7Z 5424357 AAB	.2	40.78
Flint	R 4W7Z 5424356 AAC	.2	35.43
	L 4W7Z 5424357 AAC	.2	40.78
Parchment	R 4W7Z 5424356 AAA	.2	36.23
	L 4W7Z 5424357 AAA	.2	36.23
From 12-1-03			
Charcoal	R 5W7Z 5424346 AAC	.2	36.73
	L 5W7Z 5424347 AAC	.2	37.83
Flint	R 5W7Z 5424346 AAD	.2	32.87
	L 5W7Z 5424347 AAD	.2	33.85
Parchment	R 5W7Z 5424346 AAB	.2	37.83
	L 5W7Z 5424347 AAB	.2	37.83
w/o Sunroof			
Charcoal	R 1W7Z 5424346 AAC	.2	33.30
	L 1W7Z 5424347 AAC	.2	33.05
Flint	R 3W7Z 5424346 AAR	.2	54.10
	L 1W7Z 5424347 AAE	.2	57.72
Parchment			
To 12-1-03	R 1W7Z 5424346 AAA	.2	33.30
	L 1W7Z 5424347 AAA	.2	33.30
From 12-2-03	R 4W7Z 5424346 AAD	.2	32.95
	L 4W7Z 5424347 AAD	.2	36.12
2005			
w/Sunroof			
Charcoal	R 5W7Z 5424346 AAC	.2	36.73
	L 5W7Z 5424347 AAC	.2	37.83
Flint	R 5W7Z 5424346 AAD	.2	32.87
	L 5W7Z 5424347 AAD	.2	33.85
Parchment	R 5W7Z 5424346 AAB	.2	37.83
	L 5W7Z 5424347 AAB	.2	37.83
w/o Sunroof			
Charcoal	R 5W7Z 5424346 AAE	.2	33.98
	L 5W7Z 5424347 AAE	.2	33.98
Flint	R 5W7Z 5424346 AAF	.2	33.98
	L 5W7Z 5424347 AAF	.2	33.98
Parchment	R 5W7Z 5424346 AAA	.2	33.98
	L 5W7Z 5424347 AAA	.2	33.98
2006-07			
w/Sunroof			
Camel	R 6W7Z 5424356 AAE	.2	38.88
	L 6W7Z 5424357 AAE	.2	25.32
Charcoal	R 6W7Z 5424356 AAF	.2	38.88
	L 6W7Z 5424357 AAF	.2	37.75
Stone	R 6W7Z 5424356 AAD	.2	38.88
	L 6W7Z 5424357 AAD	.2	25.32
w/o Sunroof			
Camel	R 6W7Z 5424356 AAB	.2	27.47
	L 6W7Z 5424357 AAB	.2	27.47
Charcoal	R 6W7Z 5424356 AAC	.2	27.47
	L 6W7Z 5424357 AAC	.2	25.32
Stone	R 6W7Z 5424356 AAA	.2	25.32
	L 6W7Z 5424357 AAA	.2	25.32
4 Clip, Trim	R/L N804992 S58		.85
5 Trim, Lwr Center Pillar			
2003			
To 2-18-03			
Charcoal	R YW7Z 5424346 AAA	.3	56.27
	L YW7Z 5424347 AAA	.3	52.10
Flint	R 3W7Z 5424346 AAA	.3	50.55
	L 3W7Z 5424347 AAA	.3	57.55
Parchment	R XW7Z 5424346 AAA	.3	53.93
	L XW7Z 5424347 AAA	.3	95.57
From 2-19-03			
Charcoal	R 3W7Z 5424346 BAC	.3	44.95
	L YW7Z 5424347 AAA	.3	52.10
Flint	R 3W7Z 5424346 BAB	.3	47.93
	L 3W7Z 5424347 AAA	.3	57.55
Parchment	R 3W7Z 5424346 BAA	.3	44.95
	L XW7Z 5424347 AAA	.3	95.57
2004-05			
Charcoal	R 3W7Z 5424346 BAC	.3	44.95
	L YW7Z 5424347 AAA	.3	52.10
Flint	R 3W7Z 5424346 BAB	.3	47.93
	L 3W7Z 5424347 AAA	.3	57.55
Parchment	R 3W7Z 5424346 BAA	.3	44.95
	L XW7Z 5424347 AAA	.3	95.57
2006-07			
Camel	R 6W7Z 5424346 AAB	.3	27.43
	L 6W7Z 5424347 AAB	.3	27.43
Charcoal	R 6W7Z 5424346 AAC	.3	27.43

Stone	L 6W7Z 5424347 AAC	.3	27.43
	R 6W7Z 5424346 AAA	.3	27.43
	L 6W7Z 5424347 AAA	.3	27.43
<b>6 Plate, Front Scuff</b>			
Camel	R 6W7Z 5413208 AAB	.2	30.70
	L 6W7Z 5413209 AAB	.2	39.08
Charcoal	03-05 R 2W7Z 5413208 AAC	.2	25.95
	L 2W7Z 5413209 AAC	.2	27.28
	06-07 R 2W7Z 5413208 AAC	.2	52.38
	L 6W7Z 5413209 AAC	.2	52.63
Flint	R 2W7Z 5413208 AAE	.2	27.95
	L 2W7Z 5413209 AAE	.2	23.82
Parchment	R 2W7Z 5413208 AAA	.2	20.88
	L 2W7Z 5413209 AAA	.2	23.73
Stone	R 6W7Z 5413208 AAA	.2	52.63
	L 6W7Z 5413209 AAA	.2	33.33
<b>7 Plate, Rear Scuff</b>			
114" WB			
Camel	R 6W7Z 5413228 BAC	.2	18.67
	L 6W7Z 5413229 BAC	.2	20.08
Charcoal	03-05 R 2W7Z 5413228 BAC	.2	19.20
	L 2W7Z 5413229 BAC	.2	16.62
	06-07 R 2W7Z 5413228 BAA	.2	12.88
	L 6W7Z 5413229 BAA	.2	18.67
Flint	R 2W7Z 5413228 BAE	.2	16.68
	L 2W7Z 5413229 BAE	.2	16.68
Parchment	R 2W7Z 5413228 BAA	.2	17.80
	L 2W7Z 5413229 BAA	.2	18.15
Stone	R 6W7Z 5413228 BAB	.2	18.67
	L 6W7Z 5413229 BAB	.2	18.67
120" WB			
Black	R/L 2W7Z 5413228 AAE	.2	39.87
Camel	R/L 6W7Z 5413228 AAC	.2	17.33
Charcoal	R/L 6W7Z 5413228 AAA	.2	17.33
Flint	R/L 3W7Z 5413228 AAA	.2	30.28
Parchment	R/L 2W7Z 5413228 AAC	.2	27.35
Stone	R/L 6W7Z 5413228 AAB	.2	17.33



004-11801

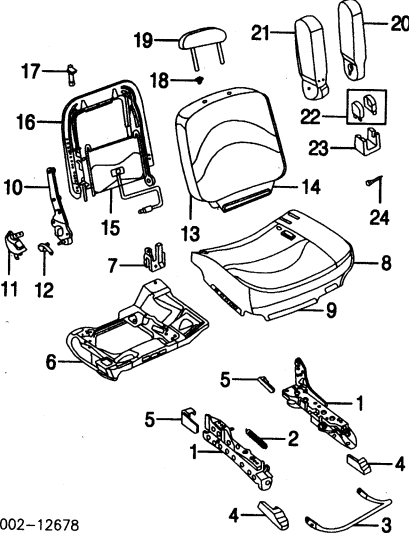
<b>8 Carpet, Floor]</b>			
114" WB	6W7Z 5413000 FAA		439.02
120" WB	6W7Z 5413000 EAA		439.02
	†Charcoal listed, Order by Application		

## FRONT SEAT

Use Procedure Explanation 30 with the following text.

### PASSENGER SIDE MANUAL

R&I Front Seat.....	.3
---------------------	----



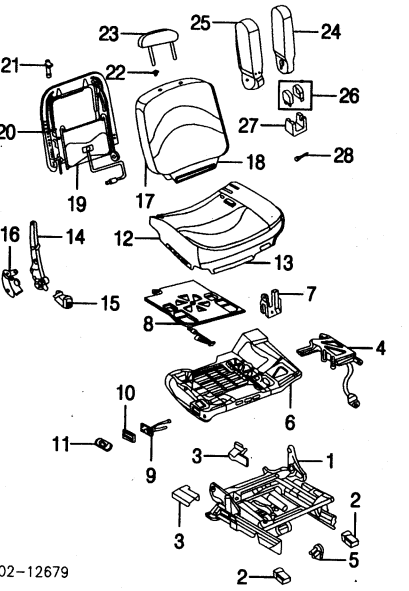
002-12678

<b>1 Adjuster, Seat Track</b>	R F7AZ 5461704 AA	#.8	64.87
	L 5W7Z 5461705 AA	#.8	260.40
	*R&R Complete 1.2, w/Seat Assy Removed		
<b>2 Spring, Adjuster</b>	FOAZ 5461828 A		18.52
<b>3 Handle, Seat Adjuster</b>	F5VY 54603A86 A		8.93
<b>4 Cover, Front Seat Track</b>	R XW7Z 5461748 BBD		6.93
	L XW7Z 5461748 BBC		6.68
<b>5 Cover, Rear Seat Track</b>	R XW7Z 5461748 BAA		6.62
	L XW7Z 5461748 BBB		5.58
<b>6 Frame, Seat Cushion</b>			
Bucket Seat	6W7Z 5463100 A	#.8	154.22
Split Bench Seat	6W7Z 5463100 B	#.8	154.22

<b>7 Bracket, Armrest</b>	F7AZ 5463076 AA	#.8	10.17
<b>8 Trim, Seat Cushion]</b>			
Bucket Seat	3W7Z 5462900 FAH	#.8	215.03
Split Bench Seat			
Cloth	3W7Z 5462900 AAB	#.8	300.63
Vinyl	3W7Z 5462900 DAN	#.8	278.30
<b>9 Pad, Seat Cushion]</b> See Air Bag System Section			
*R&R Complete 1.2, Includes R&R Seat Track Adjuster, w/Seat Assy Removed			
<b>10 Recliner, Seat]</b>			
4W1Z 5462648 AA			99.93
	†Order by Application		
<b>11 Cover, Recliner</b>	N.A.		0.00
<b>12 Handle, Recliner</b>			
Black	F8AZ 5461198 AAC		9.32
Flint	3W7Z 5461198 AAA		8.43
Parchment	3W3Z 5461198 AA		15.05
<b>13 Trim, Seat Back]</b>			
Bucket Seat	3W7Z 5464416 SAB	#.7	248.78
Split Bench Seat			
Cloth	3W7Z 5464416 AAD	#.7	228.67
Vinyl	3W7Z 5464416 DAD	#.7	175.83
<b>14 Pad, Seat Back]</b>			
Bucket Seat	3W7Z 5464810 EA	#.7	159.60
Split Bench Seat	3W7Z 5464810 AA	#.7	154.57
<b>15 Adjuster, Lumbar]</b>	3W7Z 5465500 AA	#.7	123.82
<b>16 Frame, Seat Back]</b>	3W7Z 5461018 AA	#.7	78.58
	*R&R Complete, w/Seat Assy Removed		
<b>Guide, Headrest] (a)</b>			
17 Locking	3W7Z 54610A16 AAB		7.78
18 Non-Locking	2L1Z 78610A16 BAD		5.65
	(a) As Required		
<b>19 Headrest]</b>			
Bucket Seat	3W7Z 54611A08 DAD	#.2	141.92
Split Bench Seat			
Cloth	4W7Z 54611A08 CAB	#.2	122.95
Leather	4W7Z 54611A08 FAC	#.2	156.72
	†Order by Application		
	#Included in R&R Seat Back Frame		
<b>20 Armrest</b>	XW7Z 5465478 AA	.2	27.38
<b>21 Trim, Armrest]</b>			
Cloth	3W7Z 54644A18 HAC		116.67
Vinyl	3W7Z 54644A18 DAA		d118.67
<b>22 Cover, Armrest Hinge]</b>	YF3Z 54672A28 ABC		4.92
<b>23 Cover, Armrest Bracket]</b>	YW3Z 54672A32 ABD		d23.45
	†Order by Application		
<b>24 Pin, Armrest</b>	6W7Z 5465476 AA		9.55

### PASSENGER SIDE POWER

R&I Front Seat Assy.....	.3
--------------------------	----



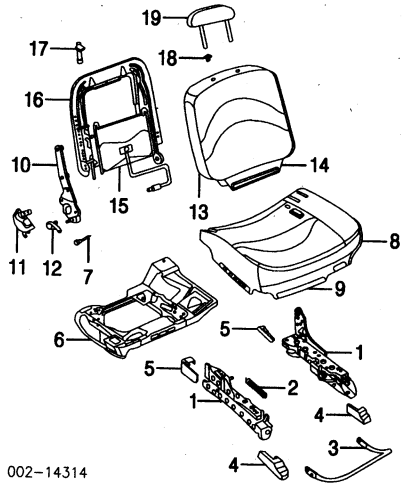
002-12679

<b>1 Adjuster, Seat Track</b>	4W7Z 5461710 AB	#1.2	416.50
	*w/Seat Assy Removed		
<b>2 Cover, Front Seat Track</b>	R/L F1VY 5461748 A		8.64
<b>3 Cover, Rear Seat Track</b>	R XW7Z 5461748 CAA		6.03
	L XW7Z 5461748 DAB		8.40
<b>4 Control, Seat</b>	F5VY 14C708 A		d200.98
<b>5 Regulator, Seat</b>	F3LY 14C718 A		33.38
<b>6 Frame, Seat Cushion]</b>	6W7Z 5463100 B	#1.2	154.22
	†Order by Application		
	#w/Seat Assy Removed		
<b>7 Bracket, Armrest</b>	F7AZ 5463076 AA		10.17
<b>8 Sensor, Occupant Detector-See Air Bag System Section</b>			
<b>9 Switch, Seat</b>	F5RZ 15B691 A		56.81
<b>10 Bracket, Switch</b>	F5AZ 14B691 A		4.65
<b>11 Bezel, Switch]</b>	3W1Z 14A706 AAG		6.77
<b>12 Trim, Seat Cushion]</b>			
Bucket Seat	3W3Z 5462900 JAC	#1.2	322.40
Split Bench Seat			
Cloth	3W7Z 5462900 GAF	#1.2	292.57
Leather	3W7Z 5462900 HAC	#1.2	280.03
	†Order by Application		

<b>13 Pad, Seat Cushion-See Air Bag System Section</b>			
*R&R Complete, Includes R&R Seat Cushion Frame, w/Seat Assy Removed			
<b>14 Recliner, Seat</b>	4W1Z 5462648 AA		99.93
<b>15 Motor, Recliner</b>	N.A.		0.00
<b>16 Cover, Recliner</b>	N.A.		0.00
<b>17 Trim, Seat Back]</b>			
Bucket Seat	3W3Z 5464416 CAG	#.7	282.45
Split Bench Seat			
Cloth	3W7Z 5464416 AAG	#.7	300.28
Leather	3W7Z 5464416 UAC	#.7	283.03
<b>18 Pad, Seat Back]</b>			
Bucket Seat	3W7Z 5464810 DA	#.7	133.15
Split Bench Seat	3W7Z 5464810 AA	#.7	154.57
<b>19 Adjuster, Lumbar]</b>	3W7Z 5465500 AA	#.7	123.82
<b>20 Frame, Seat Back]</b>	3W7Z 5461018 AA	#.7	78.58
	*R&R Complete, w/Seat Assy Removed		
<b>Guide, Headrest] (a)</b>			
21 Locking	3W7Z 54610A16 AAA		7.78
22 Non-Locking	2L1Z 78610A16 BAD		5.65
	(a) As Required		
<b>23 Headrest]</b>			
Cloth	3W7Z 54611A08 AAD	#.2	118.50
Leather	4W7Z 54611A08 FAC	#.2	156.72
	†Order by Application		
	#Included in R&R Seat Back Frame		
<b>24 Armrest</b>	XW7Z 5465478 AA	.2	27.38
<b>25 Trim, Armrest]</b>			
Cloth	3W7Z 54644A18 HAC		116.67
Leather	3W7Z 54644A18 FAC		225.30
<b>26 Cover, Armrest Hinge]</b>	3W7Z 54672A28 AAA		7.68
<b>27 Cover, Armrest Bracket]</b>	YW3Z 54672A32 ABD		d23.45
	†Order by Application		
<b>28 Pin, Armrest</b>	6W7Z 5465476 AA		9.55

### DRIVER SIDE MANUAL

R&I Front Seat.....	.3
---------------------	----



002-14314

<b>1 Adjuster, Seat Track</b>	R 5W7Z 5461704 AB	#.8	260.40
	L 4W7Z 5461705 AA	#.8	238.73
	*R&R Complete 1.2, w/Seat Assy Removed		
<b>2 Spring, Adjuster</b>	FOAZ 5461828 A		18.52
<b>3 Handle, Seat Adjuster</b>	F5VY 54603A86 A		8.93
<b>4 Cover, Front Seat Track</b>	R XW7Z 5461749 BBC		6.68
	L XW7Z 5461749 BBD		6.85
<b>5 Cover, Rear Seat Track</b>	R XW7Z 5461749 BBB		6.55
	L XW7Z 5461749 BAA		6.62
<b>6 Frame, Seat Cushion</b>			
Bucket Seat	6W7Z 5463101 A	#.8	127.70
Split Bench Seat	6W7Z 5463101 B	#.8	122.78
<b>7 Pivot, Lumbar</b>	4W7Z 54618C04 A		49.65
<b>8 Trim, Seat Cushion]</b>			
Bucket, Seat	3W7Z 5462901 FAH	#.8	291.00
Split Bench Seat			
Cloth	3W7Z 5462901 AAB	#.8	312.50
Vinyl	3W7Z 5462901 DAN	#.8	278.30
<b>9 Pad, Seat Cushion]</b>			
Bucket, Seat	3W7Z 54632A23 DA	#.8	161.22
Split Bench Seat	3W7Z 54632A23 BA	#.8	161.22
	†Order by Application		
	#R&R Complete 1.2, Includes R&R Seat Track Adjuster, w/Seat Assy Removed		
<b>10 Recliner, Seat</b>	N.A.		0.00
<b>11 Cover, Recliner</b>	N.A.		0.00
<b>12 Handle, Recliner</b>			
Black	F8AZ 5461199 AAC		9.32
Flint	3W7Z 5461199 AAA		9.00
Parchment	XW1Z 5461199 AAB		8.72
<b>13 Trim, Seat Back]</b>			
Bucket, Seat	3W7Z 5464417 HAE	#.7	219.70
Split Bench Seat			
Cloth	3W7Z 5464416 AAD	#.7	228.67
Vinyl	3W7Z 5464416 DAD	#.7	175.83
<b>14 Pad, Seat Back]</b>			
Bucket, Seat	3W7Z 5464810 CA	#.7	131.38
Split Bench	3W7Z 5464811 AA	#.7	154.57
<b>15 Adjuster, Lumbar]</b>	3W7Z 5465500 AA	#.7	123.82
<b>16 Frame, Seat Back]</b>	3W7Z 5461019 AR	#.7	95.60

# CROWN VICTORIA 2003-07

## FRONT SEAT Cont'd

### DRIVER SIDE

#### MANUAL Cont'd

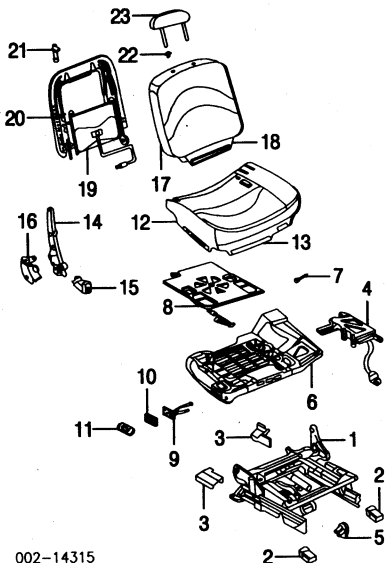
#R&R Complete, w/Seat Assy Removed

17	Locking	3W7Z 54610A16 AAB	7.78
18	Non-Locking	2L1Z 78610A16 BAD	5.65
(a) As Required			
19	Headrest		
	Bucket Seat	3W7Z 54611A08 DAD	#2 141.92
	Split Bench Seat		
	Cloth	4W7Z 54611A08 CAB	#2 122.95
	Leather	4W7Z 54611A08 FAC	#2 156.72

#Order by Application  
#Included in R&R Seat Back Frame

### DRIVER SIDE POWER

R&I Front Seat..... 3



002-14315

1	Adjuster, Seat Track	4W7Z 5461711 AB	#1.2	495.63
#w/Seat Assy Removed				
2	Cover, Front Seat Track	R/L F1VY 5461748 A	8.64	
3	Cover, Rear Seat Track	R XW7Z 5461749 DAB	6.55	
		L XW7Z 5461749 CAA	6.03	
4	Control, Seat	F5VY 14C708 A	d200.98	
5	Regulator, Seat	F3LY 14C718 A	33.38	
6	Frame, Seat Cushion	6W7Z 5463101 B	#1.2	122.78
#Order by Application #w/Seat Assy Removed				
7	Pivot, Lumbar	4W7Z 54618C04 A	49.65	
8	Sensor, Occupant Detector-See Air Bag System Section			
9	Switch, Seat	F5RZ 15B691 A	56.81	
10	Bracket, Switch	F5AZ 14B691 A	4.65	
11	Bezel, Switch	3W1Z 14A706 AAG	6.77	
12	Trim, Seat Cushion			
	Bucket Seat	3W3Z 5462901 JAC	#1.2	322.67
	Split Bench Seat			
	Cloth	3W7Z 5462901 GAF	#1.2	196.83
	Leather	3W7Z 5462900 HAC	#1.2	280.03
13	Pad, Seat Cushion			
	Bucket Seat	4W7Z 54632A22 CB	#1.2	152.38
	Split Bench Seat	3W7Z 54632A23 AA	#1.2	101.12
#Order by Application #R&R Complete, Includes R&R Seat Cushion Frame, w/Seat Assy Removed				
14	Recliner, Seat			
	2003-04	XW1Z 5462649 CA	139.90	
	2005			
	To 8-3-05	XW1Z 5462649 CA	139.90	
	From 8-4-05	6W7Z 5462649 AA	190.25	
	2006-07	6W7Z 5462649 AA	190.25	
15	Motor, Recliner-Serviced w/Seat Recliner			
16	Cover, Recliner	N.A.	0.00	
17	Trim, Seat Back			
	Bucket Seat	3W3Z 5464417 CAC	#7	328.83
	Split Bench Seat			
	Cloth	3W7Z 5464417 AAC	#7	385.03
	Leather	3W7Z 5464417 JAG	#7	d304.53
18	Pad, Seat Back			
	Bucket Seat	3W7Z 5464811 CA	#7	188.63
	Split Bench Seat	3W7Z 5464811 AA	#7	154.57
	Leather	3W7Z 5465500 AA	#7	123.82
19	Adjuster, Lumbar	3W7Z 5461019 AB	#7	95.50
20	Frame, Seat Back			
#R&R Complete, w/Seat Assy Removed				
	Guide, Headrest (a)			
21	Locking	3W7Z 54610A16 AAA	7.78	
22	Non-Locking	2L1Z 78610A16 BAD	5.65	
(a) As Required				
23	Headrest			

Cloth	3W7Z 54611A08 AAD	#2	118.50
Leather	4W7Z 54611A08 FAC	#2	156.72

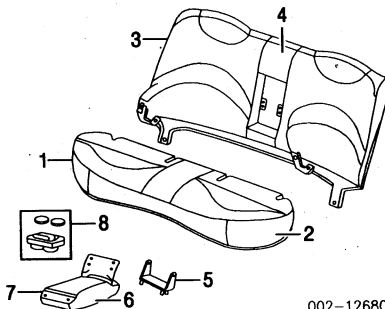
#Order by Application  
#Included in R&R Seat Back Frame

## REAR SEAT

Use Procedure Explanation 30 with the following text.

R&I Rear Seat Cushion.....	#2
R&I Rear Seat Back.....	#3

#Includes R&I Cushion



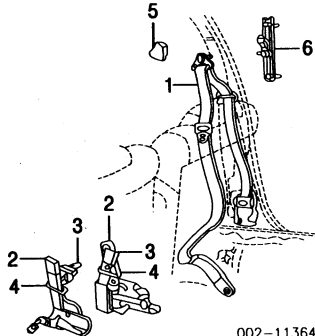
002-12680

1	Trim, Seat Cushion			
	Cloth	3W7Z 5463804 AAJ	#7-	175.43
	Leather	3W3Z 5463804 FAD	#7	354.78
	Vinyl	3W3Z 5463804 DAC	#7	217.38
#Order by Application				
2	Pad & Frame, Seat Cushion	5W7Z 54600A88 BA	#7	262.08
#R&R Complete, w/Seat Cushion Removed				
3	Trim, Seat Back			
	Cloth	3W7Z 5466600 AAG	#7	299.80
	Leather	3W3Z 5466600 FAC	#7	318.62
	Vinyl	3W7Z 5466600 DAN	#7	365.88
#Order by Application				
4	Pad & Frame, Seat Back			
	w/Armrest	03-04 3W7Z 54672A18 AA	#7	272.50
		05-07 5W7Z 54672A18 AA	#7	242.83
	w/o Armrest	03-04 3W7Z 54672A18 BA	#7	272.50
		05-07 5W7Z 54672A18 BA	#7	242.83
#R&R Complete, w/Seat Back Removed				
5	Bracket, Armrest	F8AZ 5467210 AA	95.43	
6	Pad, Armrest	F8AZ 5467273 AAA	83.20	
7	Trim, Armrest			
	Cloth	3W7Z 5467244 EAC	263.83	
	Leather	3W7Z 5467244 CAC	152.92	
#Order by Application				
8	Holder, Cup			
	Black	3W3Z 5413562 AAB	21.90	
	Camel	6W1Z 5413562 CA	21.60	
	Charcoal	6W1Z 5413562 CB	21.60	
	Flint	3W3Z 5413562 AAC	22.07	
	Parchment	3W3Z 5413562 AAA	21.90	
	Stone	6W1Z 5413562 CC	28.67	

## SEAT BELTS

Use Procedure Explanation 30 with the following text.

### FRONT



002-11364

1	Belt, Side Seat			
	Black	03-04 R 3W7Z 54611B08 AAC	#6	148.98
		L 3W7Z 54611B09 AAB	#6	148.98
		05 R 5W7Z 54611B08 AAB	#6	141.55
		L 5W7Z 54611B09 AAB	#6	141.55
	Camel	06-07 R 6W7Z 54611B08 AB	#6	141.55
		L 6W7Z 54611B09 AB	#6	141.55
	Charcoal	06-07 R 6W7Z 54611B08 AC	#6	141.55
		L 6W7Z 54611B09 AF	#6	141.55
	Flint	03-04 R 3W7Z 54611B08 AAB	#6	148.98
		L 3W7Z 54611B09 AAB	#6	148.98
		05 R 5W7Z 54611B08 AAC	#6	141.55
		L 5W7Z 54611B09 AAC	#6	141.55
	Parchment			
	2003	R 3W7Z 54611B08 AAA	#6	148.98

2004		L 3W7Z 54611B09 AAA	#6	148.98
To 1-12-04		R 3W7Z 54611B08 AAA	#6	148.98
		L 3W7Z 54611B09 AAA	#6	148.98
From 1-13-04		R 4W7Z 54611B08 AAA	#6	160.90
		L 4W7Z 54611B09 AAA	#6	160.90
2005		R 5W7Z 54611B08 AAA	#6	141.55
		L 5W7Z 54611B09 AAA	#6	141.55
Stone	06-07 R	6W7Z 54611B08 AA	#6	141.55
		L 6W7Z 54611B09 AA	#6	141.55

Pretensioner, Seat Belt-Serviced w/Side Seat Belt

2	Buckle, Side Seat Belt			
2003				
	To 5-13-02			
	Black	R/L 1W7Z 5461202 AAE	#2	40.40
	Flint	R/L 2W7Z 5461202 AAA	#2	46.27
	Parchment	R/L 1W7Z 5461202 AAC	#2	40.40
	From 5-14-02			
	Black	R/L 3W7Z 5461202 AAC	#2	46.27
	Flint	R/L 3W7Z 5461202 AAB	#2	46.27
	Parchment	R/L 3W7Z 5461202 AAA	#2	46.27
2004				
	Black	R/L 3W7Z 5461202 AAC	#2	46.27
	Flint	R/L 3W7Z 5461202 AAB	#2	46.27
	Parchment	R/L 3W7Z 5461202 AAA	#2	46.27
2005				
	Black	R 5W7Z 5461202 AAB	#2	48.00
		L 5W7Z 5461203 AAB	#2	89.98
	Flint	R 5W7Z 5461202 AAC	#2	48.00
		L 5W7Z 5461203 AAC	#2	88.20
	Parchment	R 5W7Z 5461202 AAA	#2	47.05
		L 5W7Z 5461203 AAA	#2	89.98
2006-07				
	Camel	R 6W7Z 5461202 AA	#2	72.00
		L 6W7Z 5461203 AA	#2	72.00
	Charcoal	R 6W7Z 5461202 AB	#2	72.00
		L 6W7Z 5461203 AB	#2	72.00
	Stone	R 5W1Z 5461202 AAB	#2	93.67
		L 5W1Z 5461203 BA	#2	41.40

3 Belt Set, Center Seat

2003-04				
	Black	1W7Z 54611B60 AAC	#2	54.07
	Flint	3W7Z 54611B60 AAA	#2	51.43
	Parchment	1W7Z 54611B60 AAA	#2	54.07

2005-07-Serviced by Components

#w/Front Seat Assy Removed

Belt, Center Seat

2003-04-Serviced w/Center Seat Belt Set

2005-07				
	Black	5W7Z 54611B76 AAB	#2	27.02
	Camel	6W7Z 54611B76 AE	#2	25.02
	Charcoal	6W7Z 54611B76 AF	#2	25.02
	Flint	5W7Z 54611B76 AAC	#2	27.02
	Parchment	5W7Z 54611B76 AAA	#2	27.02
	Stone	6W7Z 54611B76 AD	#2	25.02

Buckle, Center Seat Belt

2003-04-Serviced w/Center Seat Belt Set

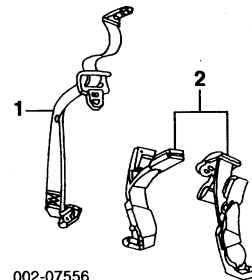
2005-07				
	Black	5W7Z 54611B70 AAB	#2	21.70
	Camel	6W7Z 54611B70 AB	#2	23.43
	Charcoal	6W7Z 54611B70 AC	#2	23.43
	Flint	5W7Z 54611B70 AAC	#2	23.43
	Parchment	5W7Z 54611B70 AAA	#2	23.43
	Stone	6W7Z 54611B70 AA	#2	23.43

#w/Front Seat Assy Removed

4	Shield, Belt	R/L E7AZ 60611B46 A	4.50
5	Cover, Anchor	R/L N.A.	0.00

6	Adjuster, Height			
	Black	03-04 R/L YW7Z 16602B82 AAA	31.17	
		05 R/L 5W1Z 54602B82 AAE	25.00	
	Camel	06-07 R/L 6W1Z 54602B82 AC	25.00	
	Charcoal	06-07 R/L 6W1Z 54602B82 AD	25.00	
	Flint	03-04 R/L 2L1Z 78602B82 AAB	30.25	
		05 R/L 5W1Z 54602B82 AAF	25.00	
	Parchment	03-04 R/L XW1Z 16602B82 AAB	32.28	
		05 R/L 5W1Z 54602B82 AAA	25.00	
	Stone	06-07 R/L 6W1Z 54602B82 AA	25.00	

### REAR



002-07556

1	Belt, Side Seat			
	Black	R 2W7Z 54611B68 AAC	#2	76.22
		L 2W7Z 54611B69 AAC	#2	76.22
	Camel	R 6W7Z 54611B68 CB	#2	55.00
		L 6W7Z 54611B69 CB	#2	55.00
	Charcoal	R 6W7Z 54611B68 CC	#2	55.00
		L 6W7Z 54611B69 CC	#2	55.00
	Flint	R 3W7Z 54611B68 AAA	#2	76.22
		L 3W7Z 54611B69 AAA	#2	76.22
	Parchment	R 2W7Z 54611B68 AAA	#2	75.45
		L 2W7Z 54611B69 AAA	#2	75.45
	Stone	R 6W7Z 54611B68 CA	#2	55.00

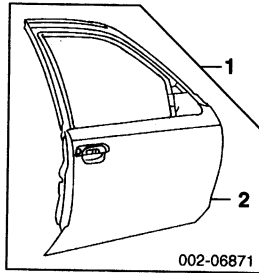
2 Belt/Buckle Set, Center Seat	L 6W7Z 54611B69 CA	#2	55.00
Black	1W7Z 5460044 AAH	#2	27.67
Camel	6W7Z 5460044 BB	#2	21.67
Charcoal	6W7Z 5460044 BC	#2	21.67
Flint	1W7Z 5460044 AAJ	#2	27.67
Parchment	1W7Z 5460044 AAG	#2	27.67
Stone	6W7Z 5460044 BA	#2	21.67
<i>#w/Rear Seat Cushion Removed</i>			

## FRONT DOOR

Use Procedure Explanations 16 and 28 with the following text.

### SHEET METAL

Refinish Door Outside	R/L	2.4
Add for Jamb & Interior	R/L	1.0
Add for Jamb	R/L	.5
R&I Door Assy	R/L	1.4
Section Door Repair Panel		
w/Keyless Entry	R	#6.5
	L	#6.7
w/o Keyless Entry	R/L	#6.5
<i>#Includes R&amp;R Mirror, Mirror Reinf, Door Glass &amp; Keyless Entry Pad</i>		
Add to R&R Door Shell or Repair Panel		
To Modify for Spotlight	R/L	.4



002-06871

### 1 Shell Assy, Door

2003-04			
w/Keyless Entry	R 3W7Z 5420124 AA	#5.4	773.58
	L 3W7Z 5420125 BA	#5.6	736.33
w/o Keyless Entry	R 3W7Z 5420124 AA	#5.4	773.58
	L 3W7Z 5420125 BA	#5.4	736.33
2005-07	R 5W7Z 5420124 BA	#5.4	762.07
	L 5W7Z 5420125 BA	#5.4	725.40

*Order by Application*

*#Includes R&R Mirror, Speaker & Keyless Entry Pad*

### 2 Panel, Door Repair (a)

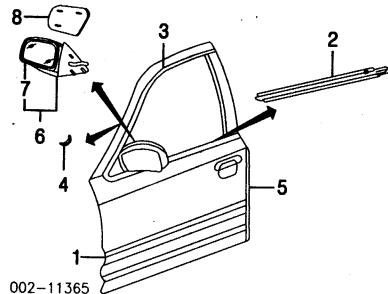
w/Keyless Entry	R 3W7Z 5420200 AA	#7.7	247.52
	L 3W7Z 5420201 BA	#7.9	299.00
w/o Keyless Entry	R 3W7Z 5420200 AA	#7.7	247.52
	L 3W7Z 5420201 BA	#7.7	318.68

*(a) Included w/Door Shell Assy*

*#Includes R&R Mirror, Mirror Reinforcement, Door Glass & Keyless Entry Pad*

### EXTERIOR TRIM

Refinish Side Moulding	R/L	.5
Refinish Rear View Mirror	R/L	.7
Refinish Rear View Cover	R/L	.7
R&I Rear View Mirror	R/L	#.8
<i>#Includes R&amp;I Trim Panel</i>		
R&I Outer Belt Moulding	R/L	#1.1
R&I Upper Door Moulding	R/L	#1.5
<i>#Includes R&amp;I Trim Panel &amp; R&amp;R Mirror</i>		



002-11365

### 1 Moulding, Side (Adhesive)

2-1/2" Width			
Ice Blue (Code LS)	R/L F8AZ 5420878 BBH	.2	92.00
Spruce Green (Code FS)	03-04 R/L 5W7Z 5420878 BPTM	.2	66.77
Torsador Red (Code JL)	04-06 R/L F8AZ 5423942 BAF	.2	105.90
Vibrant White (Code WT)	R/L F8AZ 5420878 BBD	.2	108.30
Paint to Match	03-04 R/L 5W7Z 5420878 BPTM	.2	66.77
	05-07 R/L 5W7Z 5420878 BPTM	.2	66.77
3-1/4" Width			
Ash Gold (Code C2)	R N.A.	.2	0.00
	L YW7Z 5420879 AAG	.2	92.30

Aspen Green (Code P5)	03-04 R YW7Z 5420878 AAE	.2	106.25
	L YW7Z 5420879 AAE	.2	106.25
Blue Pearl (Code DX)	R N.A.	.2	0.00
Chestnut (Code B4)	03-04 R L 5W7Z 5420879 APTM	.2	62.57
	R N.A.	.2	0.00
Spruce Green (Code FS)	03-04 R L 5W7Z 5420879 APTM	.2	62.57
	R F8AZ 5420878 AAF	.2	110.28
Vibrant White (Code WT)	R N.A.	.2	0.00
	L F8AZ 5420879 AAH	.2	109.78
Wedgewood Blue (Code LL)	03-04 R L YW7Z 5420879 AAC	.2	111.32
	R 5W7Z 5420878 APTM	.2	100.12
Paint to Match	L 5W7Z 5420879 APTM	.2	62.57
2 Midg, Outer Belt	R 6W7Z 5421452 AA	#3	31.60
	L 6W7Z 5421453 AA	#3	32.70
3 Midg, Upper Door	R 6W7Z 5420550 AA	#7	110.70
	L 6W7Z 5420551 AA	#7	110.70

*#w/Trim Panel & Mirror Removed*

4 Moulding, Spotlight			
Police Model	R/L F8AZ 15C300 AA		10.31
5 Guard Set, Door Edge			
Dealer Installed	YW7Z 5420910 AA		54.29
	<i>Set of 4</i>		

### 6 Mirror Assy, Rear View

2003			
	R 6W7Z 17682 BA	#3	157.83
	L 6W7Z 17683 BA	#3	157.83
2004			
To 2-15-04			
Heated	R 6W7Z 17682 BA	#3	157.83
	L 6W7Z 17683 BA	#3	157.83
Non-Heated	R 6W7Z 17682 AA	#3	133.00
	L 6W7Z 17683 AA	#3	133.00
From 2-16-04			
Heated	R 6W7Z 17682 BA	#3	157.83
	L 6W7Z 17683 BA	#3	157.83
Non-Heated	R 6W7Z 17682 AA	#3	133.00
	L 6W7Z 17683 AA	#3	133.00
2005-07			
Heated	R 6W7Z 17682 BA	#3	157.83
	L 6W7Z 17683 BA	#3	157.83
Non-Heated	R 6W7Z 17682 AA	#3	133.00
	L 6W7Z 17683 AA	#3	133.00

*#w/Trim Panel Removed*

7 Glass, Mirror (a)			
2003			
	R 1W7Z 17K707 AA	.2	58.30
	L 1W7Z 17K707 AB	.2	64.52
2004-07			
Heated Glass	R 1W7Z 17K707 AA	.2	58.30
	L 1W7Z 17K707 AB	.2	64.52
Non-Heated Glass	R F8AZ 17K707 AA	.2	59.32
	L F8AZ 17K707 BA	.2	65.32
	R/L 5L2Z 17D696 A		23.02

*(a) Included w/Rear View Mirror Assy*

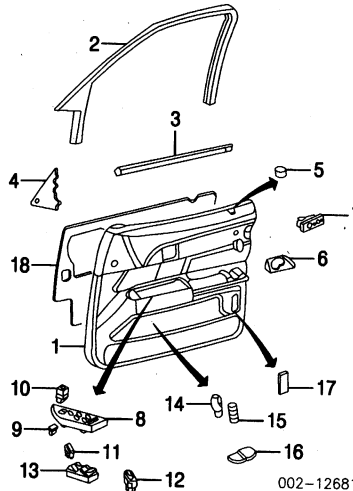
### 8 Cover, Mirror

Base, LX, LX Sport Model			
Black	R YW7Z 17D742 DA		32.78
	L YW7Z 17D743 DA		41.20
Paint to Match	R YW7Z 17D742 DA		32.78
	L YW7Z 17D743 DA		41.20
Police Model	R YW7Z 17D742 AAA		23.00
	L YW7Z 17D743 AAA		16.90

### INTERIOR TRIM

R&I Trim Panel	R/L	.5
----------------	-----	----

NOTE: All Parts in this section are included in R&R Trim Panel unless noted otherwise.



002-12681

### 1 Panel, Door Trim

2003-04			
Base, LX, LX Sport Model			
Charcoal	R 4W7Z 5423942 BAE	.7	649.85
	L 4W7Z 5423943 DAE	.7	649.85
Flint	R 4W7Z 5423942 BAF	.7	649.85
	L 4W7Z 5423943 DAF	.7	651.10
Parchment	R 4W7Z 5423942 BAD	.7	651.10
	L 4W7Z 5423943 DAD	.7	579.68
Police Model			
Charcoal	R 4W7Z 5423942 DAB	.7	675.85

Flint	L 4W7Z 5423943 BAE	.7	675.85
	R 4W7Z 5423942 DAC	.7	675.85
Parchment	L 4W7Z 5423943 BAF	.7	675.85
	R 4W7Z 5423942 DAF	.7	675.85
	L 3W7Z 5423943 CAA	.7	678.98

2005-06			
Camel	R 6W7Z 5423942 DB	.7	294.52
	L 6W7Z 5423943 FC	.7	294.52
Charcoal	R 5W7Z 5423942 CAB	.7	306.30
	L 5W7Z 5423943 DAB	.7	283.60
Flint	R 5W7Z 5423942 CAC	.7	294.52
	L 5W7Z 5423943 DAC	.7	283.60
Parchment	R 5W7Z 5423942 CAA	.7	306.30
	L 5W7Z 5423943 CAA	.7	283.60
Stone	R 6W7Z 5423942 DA	.7	294.52
	L 6W7Z 5423943 FB	.7	454.22

2007			
Black	R 7W7Z 5423942 BC	.7	295.37
	L 7W7Z 5423943 BC	.7	377.33
Camel	R 7W7Z 5423942 AB	.7	373.83
	L 7W7Z 5423943 BB	.7	373.83
Charcoal	R 7W7Z 5423942 AC	.7	373.83
	L 7W7Z 5423943 AC	.7	365.57
Stone	R 7W7Z 5423942 BA	.7	291.60
	L 7W7Z 5423943 BA	.7	377.33

*Order by Application*

2 Trim, Upper Door	03-05 R 1W7Z 5420890 AAA	#2	67.93
	L F7AZ 5420891 AAA	#2	61.63
	06-07 R 1W7Z 5420890 AAB	#2	67.93
	L 1W7Z 5420891 AAA	#2	70.12

*#w/Trim Panel Removed*

3 Midg, Inner Belt	03-05 R 3W7Z 5421456 AA		33.67
	L 6W7Z 5421457 A		31.05
4 Panel, Access	06-07 R/L 6W7Z 5421456-7 A		31.05
	R 3W7Z 17E680 AAA		8.78
	L 3W7Z 17E681 AAA		8.78
5 Grommet, Lock Knob	R/L F2UZ 1521999 A		2.38

6 Bezel, Handle			
Black	R 3W7Z 5422634 AAC		28.23
	L 3W7Z 5422635 AAC		27.15
Camel	R 6W7Z 5422634 AB		23.15
	L 6W7Z 5422635 AB		23.15
Charcoal	R 6W7Z 5422634 AC		23.15
	L 6W7Z 5422635 AC		23.15
Flint	R 3W7Z 5422634 AAF		26.35
	L 3W7Z 5422635 AAF		26.90
Flint/Black	R 3W7Z 5422634 AAF		26.35
	L 3W7Z 5422635 AAF		26.90
Parchment	R 3W7Z 5422634 AAD		25.87
	L 3W7Z 5422635 AAD		26.90
Parchment/Black	R 3W7Z 5422634 AAG		26.90
	L 3W7Z 5422635 AAG		26.90
Stone	R 6W7Z 5422634 AA		22.27
	L 6W7Z 5422635 AA		23.15
7 Switch, Power Seat	R/L 5W1Z 14A701 BAB		52.63
	L 5W1Z 14A701 CAA		54.80

8 Housing, Window Switch			
Black	R 3W7Z 14527 BAE	.2	21.73
	L 3W7Z 14524 BAE	.2	21.33
Camel	R 6W7Z 14528 BB	.2	21.33
	L 6W7Z 14527 BB	.2	21.73
Charcoal	R 6W7Z 14528 BC	.2	28.13
	L 6W7Z 14527 BC	.2	21.73
Flint	R 3W7Z 14527 BAD	.2	37.58
	L 3W7Z 14524 BAD	.2	22.22
Parchment	R 3W7Z 14527 BAC	.2	19.40
	L 3W7Z 14524 BAC	.2	20.23
Stone	R 6W7Z 14528 BA	.2	28.13
	L 6W7Z 14527 BB	.2	21.73

9 Clip, Retaining	R/L F5AZ 14570 A		1.88
10 Switch, Mirror	L F5TZ 17B676 A		31.27

11 Switch, Door Lock			
w/Keyless Entry	R/L 5L1Z 14028 AB-BB	.2	19.40
w/o Keyless Entry	R 3W7Z 14028 AAB	.2	29.97
	L 4W7Z 14028 AAA	.2	29.97
	R 5L1Z 14529 BA	.2	60.05

12 Switch, Assist Window			
Arrows	5L1Z 14529 AA	.2	50.22
Script	1L2Z 14529 BA	.2	90.95
14 Switch, Fuel Door	L F2AZ 9B242 A	.2	11.93
15 Switch, Luggage Lid Release	L XW7Z 54432A38 AA	.2	14.35

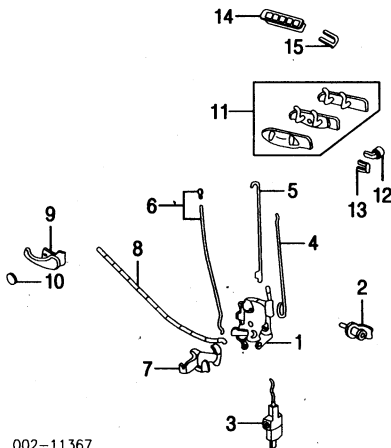
<i>Order by Application</i>			
16 Plug, Switch Hole			
Camel	L 6W7Z 5423744 AAB		17.58
Charcoal	03-05 L 3W7Z 5423744 AAD		8.30
	06-07 L 6W7Z 5423744 AAC		16.95
Flint	L 3W7Z 5423744 AAB		8.30
Parchment	L 3W7Z 5423744 AAA		8.30
Stone	L 6W7Z 5423744 AAA		17.58
17 Lamp, Courtesy	R XW7Z 13776 AA	.2	22.32
	L XW7Z 13776 BA	.2	18.28



# CROWN VICTORIA 2003-07

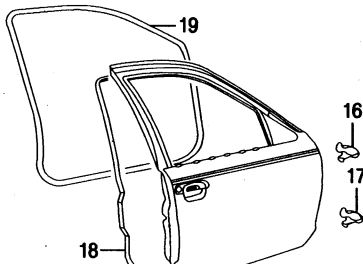
## FRONT DOOR Cont'd

### HARDWARE Cont'd



002-11367

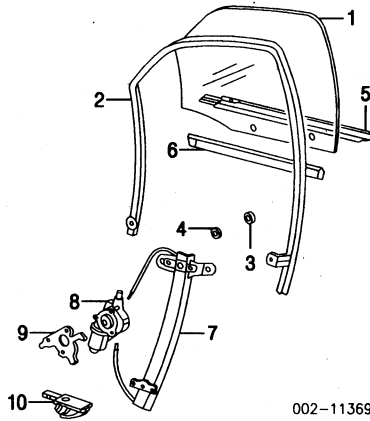
1 Latch	03-05 R/L 6W7Z 5421812-3 A	#3	37.43
	06-07 R/L F67Z 5421812-3 A	#3	0.00
<b>#w/Trim Panel Removed</b>			
2 Striker, Latch	R/L 6W1Z 5422008 A	2	11.93
3 Actuator, Latch	03 R/L YW7Z 54218A42 A		95.52
	04 R/L 4L2Z 79218A42 AA		36.40
	05-07 R/L 5W1Z 54218A42 AA		36.27
4 Rod, Lock Cylinder	R/L 5W7Z 5422134 A		5.62
5 Rod, Handle	R/L F2AZ 5422152-3 A		12.37
6 Rod, Lock			
Base, LX, LX Sport Model	R YW7Z 5421850 AA		13.33
	L YW7Z 5421851 AA		13.33
Police Model <sup>†</sup>	R YW7Z 5421850 AA		13.33
	L YW7Z 5421851 AA		13.33
<b>†Order by Application</b>			
7 Shield, Latch	R E8DZ 5421978 A		06.73
	L E8DZ 5421979 A		05.23
8 Cable, Latch	R 3W7Z 5421940 AA		11.43
	L 3W7Z 5421941 AA		11.43
Harness, Door	R/L N.A.		0.00
9 Handle, Inside Door			
Black	R 3W7Z 5421818 AAC		28.23
	L 3W7Z 5421819 AAC		28.23
Camel	R 6W7Z 5421818 AB		18.72
	L 6W7Z 5421819 AB		18.72
Flint/Black	R 3W7Z 5421818 AAE		28.23
	L 3W7Z 5421819 AAE		28.23
Parchment/Black	R 3W7Z 5421818 AAG		27.42
	L 3W7Z 5421819 AAG		27.42
10 Cover, Inside Handle			
Black	R/L 3W7Z 5422642 AAC		25.83
Camel	R/L 6W7Z 5422642 AB		5.62
Charcoal	R/L 6W7Z 5422642 AC		5.62
Flint	R/L 3W7Z 5422642 AAB		25.83
Parchment	R/L 3W7Z 5422642 AAA		25.83
Stone	R/L 6W7Z 5422642 AA		5.62
11 Handle, Outside Door <sup>†</sup>	R/L 6W7Z 5422404-5 A	#3	46.42
<b>†Order by Application</b>			
12 Cylinder, Lock	R F8AZ 5421990 AA	#3	71.80
	L F8AZ 5421991 AA	#3	73.60
<b>#R&amp;R One Side Complete, w/Trim Panel Removed</b>			
13 Clip, Lock Cylinder	R/L 6W1Z 5422023 A		8.15
14 Pad, Keyless Entry	L 6W1Z 14A626 AAA	#2	39.40
<b>#w/Trim Panel Removed</b>			
15 Clip, Pad	L E6DZ 14A667 A		06.25



002-11368

16 Hinge, Upper	R/L 6W1Z 5422800 A	#2	29.37
17 Hinge, Lower	R/L 6W7Z 5422810 A	#2	44.05
<b>#w/Door Removed</b>			
18 Weatherstrip, Door (On Door)	R XW7Z 5420530 AA	.4	42.60
	L XW7Z 5420531 AA	.4	56.43
Clip, Weatherstrip <sup>†</sup>	R/L N806340 S		1.01
<b>†As Required</b>			
19 Weatherstrip, Door Opng (On Body)	R XW7Z 5420708 BAA	.5	66.13
	L XW7Z 5420709 BAA	.5	65.45

## GLASS & PARTS



002-11369

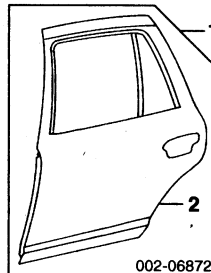
1 Glass, Door			
Ford			
Laminated	R 3W7Z 5421410 AA	#1.3	530.67
	L 3W7Z 5421411 AA	#1.3	530.67
Non-Laminated	R/L F5AZ 5421410-1 A	#1.3	174.68
NAGS			
Laminated	R DD10225GTG	#1.3	502.70
w/Attachments	L DD10226GTG	#1.3	502.70
	R DD10225GTN	#1.3	0.00
	L DD10226GTN	#1.3	0.00
Non-Laminated	R DD08626GTN	#1.3	166.70
	L DD08627GTN	#1.3	166.70
<b>#Includes R&amp;I Trim Panel</b>			
2 Run, Glass	R F8AZ 5421596 AA	#1.1	166.57
	L F8AZ 5421597 AA	#1.1	179.88
<b>#Included in R&amp;R Glass</b>			
3 Retainer, Glass <sup>†</sup>	R/L D9AZ 54234A46 AA		2.77
4 Spacer, Glass <sup>†</sup>	R/L D9AZ 54234A44 AA		2.81
<b>†As Required</b>			
5 Midg, Outer Belt-See Exterior Trim Section			
6 Midg, Inner Belt-See Interior Trim Section			
7 Regulator, Window	R 6W7Z 5423208 AA	#1.3	77.47
	L 6W7Z 5423209 AA	#1.3	79.75
<b>#w/Glass Removed Deduct .7</b>			
8 Motor, Regulator	R 1W7Z 5423395 BA	#.9	70.18
	L 1W7Z 5423394 BA	#.9	70.18
<b>#Included in R&amp;R Regulator</b>			
9 Bracket, Motor	R/L F2AZ 54233B94-5 A		29.37
10 Relay, Safety			
w/Keyless Entry	L F8AZ 14A200 BA		93.07
w/o Keyless Entry	L F8AZ 14A200 AA		173.75

## REAR DOOR

Use Procedure Explanations 16 and 28 with the following text.

### SHEET METAL

Refinish Door Outside	R/L	2.3
Add for Jamb& & Interior	R/L	1.0
Add for Jamb&	R/L	.5
R&I Door Assy	R/L	1.1
Section Door Repair Panel	R/L	#6.0
<b>#Includes R&amp;R Door Moveable &amp; Stationary Glass</b>		

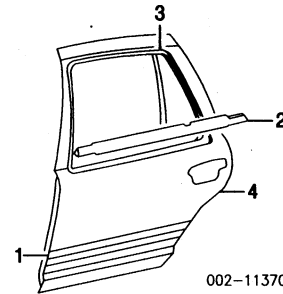


002-06872

1 Shell Assy, Door			
114" WB	R 3W7Z 5424630 AA	4.9	692.82
	L 3W7Z 5424631 AA	4.9	721.50
120" WB	R 3W7Z 5424630 AA	4.9	1835.85
	L 2W7Z 5424631 AA	4.9	1835.85
2 Panel, Door Repair <sup>†</sup>			
114" WB	R 3W7Z 5424700 AA	#7.0	354.63
	L 3W7Z 5424701 AA	#7.0	354.63
120" WB	R 2W7Z 5424700 AA	#7.0	1225.08
	L 2W7Z 5424701 AA	#7.0	1209.18
<b>†Included w/Door Shell Assy</b>			
<b>#Includes R&amp;R Door Moveable &amp; Stationary Glass</b>			

## EXTERIOR TRIM

Refinish Side Moulding	R/L	.6
R&I Upper Door Moulding	R/L	#1.0
<b>#Includes R&amp;I Trim Panel</b>		
R&I Outer Belt Moulding	R/L	.3



002-11370

### 1 Moulding, Side (Adhesive)

<b>2-1/2" Width</b>			
<b>114" WB</b>			
Ash Gold (Code C2)	R/L 5W7Z 5425556 BPTM	2	64.72
Ice Blue (Code LS)	R/L F8AZ 5425556 BBE	2	44.43
Light Blue (Code LN)	R/L 5W7Z 5425556 BPTM	2	64.72
Light Gray (Code TM)	R/L F8AZ 5425556 BAJ	2	70.60
Midnight Gray (Code TV)	04-05 R/L F8AZ 5425556 BBG	2	51.20
Royal Blue (Code LM)	R/L F8AZ 5425556 BAE	2	70.60
School Bus Yellow (Code BY)	R/L 5W7Z 5425556 BPTM	2	64.72
Silver Gray (Code TN)	R/L F8AZ 5425556 BAK	2	70.60
Toreador Red (Code JL)	04-05 R/L 5W7Z 5425556 BPTM	2	64.72
Tundra (Code DV)	05 R/L 5W7Z 5425556 BAA	2	45.92
Paint to Match	R/L 5W7Z 5425556 BPTM	2	64.72
<b>120" WB</b>			
Ash Gold (Code C2)	R/L 2W7Z 5425556 AAW	2	77.58
Blue Pearl (Code DX)	R/L 5W7Z 5425556 CPTM	2	92.53
Ice Blue (Code LS)	R/L 5W7Z 5425556 CPTM	2	92.53
Light Blue (Code LN)	R/L 2W7Z 5425556 AAL	2	80.13
Light Gray (Code TM)	R/L 5W7Z 5425556 CPTM	2	92.53
Medium Brown (Code BU)	R/L 5W7Z 5425556 CPTM	2	92.53
Medium Titanium (Code YG)	R/L 5W7Z 5425556 CPTM	2	92.53
Midnight Gray (Code TV)	04-05 R/L 2W7Z 5425556 AAY	2	71.93
Royal Blue (Code LM)	R/L 2W7Z 5425556 AAK	2	69.30
School Bus Yellow (Code BY)	R/L 2W7Z 5425556 AAA	2	74.87
Silver Birch (Code JP)	04-05 R/L 2W7Z 5425556 AAZ	2	82.80
Spruce Green (Code FS)	03-04 R/L 2W7Z 5425556 AAR	2	69.83
Toreador Red (Code JL)	04-05 R/L 2W7Z 5425556 AAX	2	82.80
Ultra Blue (Code MM)	R/L 2W7Z 5425556 AAN	2	80.13
Paint to Match	R/L 5W7Z 5425556 CPTM	2	92.53
<b>3-1/4" Width</b>			
Ash Gold (Code C2)	R 5W7Z 5425556 APTM	2	64.72
	L 5W7Z 5425557 APTM	2	64.72
Aspen Green (Code P5)	03-04 R/L 5W7Z 5425556 APTM	2	64.72
	L YW7Z 5425557 AAE	2	67.22
Chestnut (Code B4)	03-04 R/L YW7Z 5425556 AAC	2	77.37
	L N.A.	2	0.00
Paint to Match	R 5W7Z 5425556 APTM	2	64.72
	L 5W7Z 5425557 APTM	2	64.72

### 2 Midg, Outer Belt

<b>114" WB</b>			
	R 6W7Z 5425596 BA	.3	29.95
	L F6MZ 5425597 AAA	.3	39.28
	R 6W7Z 5425596 BA	.3	29.95
	L 6W7Z 5425597 BA	.3	39.10
<b>120" WB</b>			
	R 2W7Z 5425596 AAA	.3	39.32
	L 2W7Z 5425597 AAA	.3	39.10
	R 6W7Z 5425596 BA	.3	27.73
	L 6W7Z 5425597 BA	.3	27.73

### 3 Midg, Rear/Upper Door

<b>114" WB</b>			
	R 6W7Z 54255A60 BA	#5	86.52
	L 6W7Z 54255A61 BA	#5	86.52
	R 6W7Z 54255A60 BA	#5	86.52
	L 6W7Z 54255A61 BA	#5	86.52
<b>120" WB</b>			
	R 6W7Z 54255A60 BA	#5	119.58
	L 6W7Z 54255A61 BA	#5	118.22

#w/Trim Panel Removed

### 4 Guard Set, Door Edge-See Front Door Section

## INTERIOR TRIM

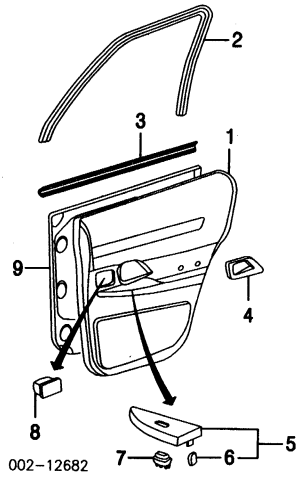
R&I Trim Panel	R/L	.4
----------------	-----	----

NOTE: All Parts in this section are included in R&R Trim Panel unless noted otherwise.

Illustration Located in Next Column

### 1 Panel, Door Trim<sup>†</sup>

<b>114" WB</b>			
<b>Base, LX, LX Sport Model</b>			
Camel	03-06 R/L 6W7Z 5427406 AB	.5	315.45
	L 6W7Z 5427407 AB	.5	315.45
	R 7W7Z 5427406 AB	.5	272.47
	L 7W7Z 5427407 AB	.5	272.47
Charcoal	03-05 R/L 4W7Z 5427406 BAB	.5	427.70
	L 4W7Z 5427407 BAB	.5	396.02
	R 6W7Z 5427406 AC	.5	315.45
	L 6W7Z 5427407 AC	.5	315.45
	R 7W7Z 5427406 AC	.5	274.27
	L 7W7Z 5427407 AC	.5	272.47



002-12682

Flint	03-05 R	4W7Z 5427406 BAF	.5	427.70
	L	4W7Z 5427407 BAF	.5	396.02
Parchment	03-05 R	4W7Z 5427406 BAD	.5	427.70
	L	4W7Z 5427407 BAD	.5	396.02
Stone	03-06 R	6W7Z 5427406 AA	.5	315.45
	L	6W7Z 5427407 AA	.5	315.45
	07 R	7W7Z 5427406 AA	.5	266.40
	L	7W7Z 5427407 AA	.5	272.47
Police Model				
Camel	03-06 R	6W7Z 5427406 EB	.5	315.45
	L	6W7Z 5427407 EB	.5	315.45
	07 R	7W7Z 5427406 EB	.5	151.83
	L	7W7Z 5427407 EB	.5	151.83
Charcoal	03-05 R	4W7Z 5427406 FAB	.5	366.80
	L	4W7Z 5427407 FAB	.5	366.80
	06 R	6W7Z 5427406 EC	.5	315.45
	L	6W7Z 5427407 EC	.5	303.32
	07 R	7W7Z 5427406 EC	.5	151.83
	L	7W7Z 5427407 EC	.5	151.83
Flint	03-05 R	4W7Z 5427406 FAC	.5	366.80
	L	4W7Z 5427407 FAC	.5	448.25
Parchment	03-05 R	4W7Z 5427406 FAA	.5	366.80
	L	4W7Z 5427407 FAA	.5	366.80
Stone	03-06 R	6W7Z 5427406 EA	.5	315.45
	L	6W7Z 5427407 EA	.5	315.45
	07 R	7W7Z 5427406 EA	.5	151.83
	L	7W7Z 5427407 EA	.5	151.83
120" WB				
Camel	03-06 R	6W7Z 5427406 CB	.5	315.45
	L	6W7Z 5427407 CB	.5	315.45
	07 R	7W7Z 5427406 CB	.5	0.00
	L	7W7Z 5427407 CB	.5	322.30
Charcoal	03-06 R	6W7Z 5427406 CC	.5	315.45
	L	6W7Z 5427407 CC	.5	315.45
	07 R	7W7Z 5427406 CC	.5	325.08
	L	7W7Z 5427407 CC	.5	325.77
Flint	03-05 R	3W7Z 5427406 EAB	.5	849.45
	L	4W7Z 5427407 EAB	.5	427.70
Parchment	03-05 R	4W7Z 5427406 EAA	.5	366.80
	L	3W7Z 5427407 EAA	.5	850.88
Stone	03-06 R	6W7Z 5427406 CA	.5	315.45
	L	6W7Z 5427407 CA	.5	315.45
	07 R	7W7Z 5427406 CA	.5	322.30
	L	7W7Z 5427407 CA	.5	322.30
<i>Order by Application</i>				
2 Trim, Upper Door				
114" WB	R/L	F2MY 5425560 D	#.5	65.60
120" WB	R/L	2W7Z 5425560 AA	#.5	63.57
<i>#w/Trim Panel Removed, Not Included in R&amp;R Trim Panel</i>				
3 Midg, Inner Belt				
114" WB	03-05 R/L	6W7Z 5425860-1 A		45.25
	06-07 R/L	6W7Z 5425860-1 A		45.25
	R/L	6W7Z 5425860-1 B		45.25
4 Bezel, Handle				
Black	R	3W7Z 5422634 AAC		28.23
	L	3W7Z 5422635 AAC		27.15
Camel	R	6W7Z 5422634 AB		23.15
	L	6W7Z 5422635 AB		23.15
Charcoal	R	6W7Z 5422634 AC		23.15
	L	6W7Z 5422635 AC		23.15
Flint/Black	R	3W7Z 5422634 AAF		26.35
	L	3W7Z 5422635 AAF		26.90
Parchment	R	3W7Z 5422634 AAD		25.87
	L	3W7Z 5422635 AAD		26.90
Parchment/Black	R	3W7Z 5422634 AAG		26.90
	L	3W7Z 5422635 AAG		26.90
Stone	R	6W7Z 5422634 AA		22.27
	L	6W7Z 5422635 AA		23.15
5 Housing Assy, Switch				
114" WB				
Black	R	3W7Z 14528 DCD	.2	49.33
	L	3W7Z 14527 BAE	.2	21.73
Camel	R	6W7Z 14528 AB	.2	28.13
	L	6W7Z 14527 AB	.2	21.73
Charcoal	R	6W7Z 14528 AC	.2	28.13
	L	6W7Z 14527 AC	.2	21.20
Flint	R	3W7Z 14528 DCC	.2	50.57
	L	3W7Z 14527 EAE	.2	55.53
Parchment	R	3W7Z 14528 DCB	.2	50.57
	L	3W7Z 14527 DCB	.2	55.53
Stone	R	6W7Z 14528 AA	.2	0.00

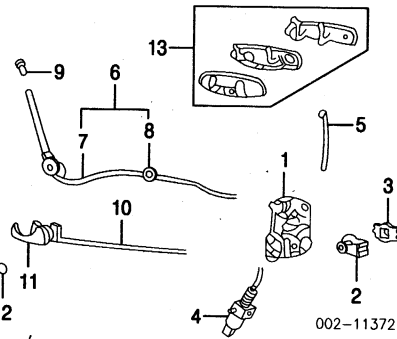
120" WB	L	6W7Z 14527 AA	.2	21.73
Black	R	3W7Z 14528 FAF	.2	50.57
	L	3W7Z 14527 FAF	.2	55.53
Camel	R	6W7Z 14528 FB	.2	28.13
	L	6W7Z 14527 FB	.2	21.73
Charcoal	R	6W7Z 14528 FC	.2	28.13
	L	6W7Z 14527 FC	.2	21.73
Flint	R	3W7Z 14528 FAE	.2	50.57
	L	3W7Z 14527 FAE	.2	55.53
Parchment	R	3W7Z 14528 FAD	.2	100.68
	L	3W7Z 14527 FAD	.2	55.53
Stone	R	6W7Z 14528 FA	.2	28.13
	L	6W7Z 14527 FA	.2	21.73

<i>Order by Application</i>				
6 Clip, Retaining (a)	R/L	F5AZ 14570 A		1.88
<i>(a) Included w/Switch Housing Assy</i>				
7 Switch, Window	R/L	5L1Z 14529 BA		60.05
8 Ashtray				
<i>114" WB-Serviced w/Door Trim Panel</i>				
120" WB				
Black	03 R	3W7Z 5430702 AAC		28.33
	L	3W7Z 5430702 BAB		28.33
Flint	03 R	3W7Z 5430702 AAB		25.45
	L	3W7Z 5430702 BAC		27.25
Parchment	03 R/L	3W7Z 5430702 AAA-BAA		27.25
9 Shield, Moisture	R/L	N.A.	#	0.00
<i>#w/Trim Panel Removed, Not Included in R&amp;R Trim Panel</i>				

**HARDWARE**

Refinish Upper Hinge	R/L	.5		
Refinish Lower Hinge	R/L	.5		
R&I Outside Handle	R/L	#.7		

*#Includes R&I Trim Panel*

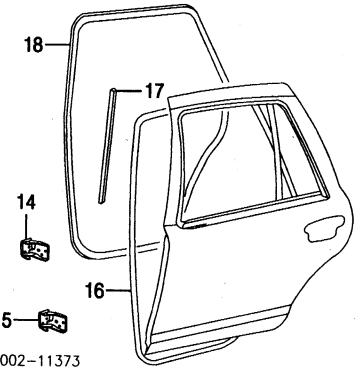


002-11372

1 Latch	R	6W7Z 5426412 A	#.3	33.23
	L	6W7Z 5426413 B	#.3	32.10
<i>#w/Trim Panel Removed</i>				
2 Striker, Latch	R/L	6W1Z 5422008 A	.2	11.93
3 Plate, Striker Tapping	R/L	E6DZ 5422024 A		3.52
4 Actuator, Latch	R/L	4W1Z 5426594 AA		37.78
5 Rod, Handle	R/L	F2AZ 5426596 A		8.65
6 Bellcrank & Link Assy	R	YW7Z 54264B14 AA		21.03
	L	YW7Z 54264B15 AA		21.03
7 Rod, Latch Control	R	F2AZ 5426420 A		15.80
	L	F2AZ 5426421 A		35.12
8 Retainer, Rod	R/L	F2AZ 5426446 A		6.60
<i>#Included w/Bellcrank &amp; Link Assy</i>				
9 Knob, Lock (a)	R/L	E3FZ 7421850 A		4.94
<i>(a) Order by Application</i>				
10 Cable, Latch Harness, Door	R/L	5W7Z 5426442-3 A		13.97
	R/L	N.A.		0.00
11 Handle, Inside Door				
Black	R	3W7Z 5421818 AAC		28.23
	L	3W7Z 5421819 AAC		28.23
Camel	R	6W7Z 5421818 AB		18.72
	L	6W7Z 5421819 AB		18.72
Flint/Black	R	3W7Z 5421818 AAE		28.23
	L	3W7Z 5421819 AAE		28.23
Parchment/Black	R	3W7Z 5421818 AAG		27.42
	L	3W7Z 5421819 AAG		27.42
Stone	R	6W7Z 5421818 AA		18.00
	L	6W7Z 5421819 AA		0.00
12 Cover, Inside Handle				
Black	R/L	3W7Z 5422642 AAC		25.83
Camel	03-05 R/L	6W7Z 5422642 AB		5.62
	06-07 R/L	6W7Z 5422642 AC		5.62
Charcoal	R/L	3W7Z 5422642 AC		5.62
Flint	R/L	3W7Z 5422642 AAB		25.83
Parchment	R/L	3W7Z 5422642 AAA		25.83
Stone	R/L	6W7Z 5422642 AA		5.62
13 Handle, Outside Door (a)				
Base, LX, LX Sport Model	R/L	6W7Z 5426604-5 A	#.3	54.03
Police Model	R	6W7Z 5426604 AB	#.3	46.68
	L	6W7Z 5426605 AB	#.3	49.42
<i>(a) Order by Application</i>				
<i>#w/Trim Panel Removed</i>				

*Illustration Located in Next Column*

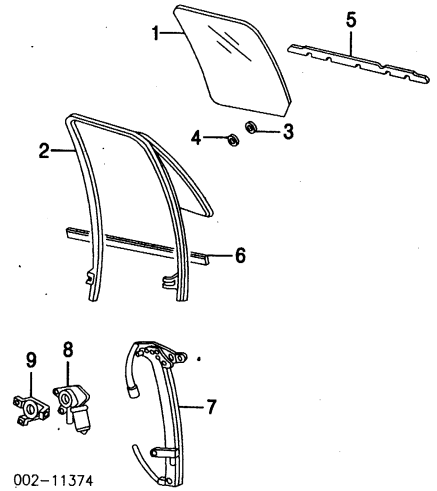
14 Hinge, Upper	R/L	6W7Z 5426800 A	#.2	28.62
15 Hinge, Lower	R/L	6W7Z 5426802 A	#.2	41.25
<i>#w/Door Removed</i>				
16 Weatherstrip, Door (On Door)				



002-11373

114" WB	R	XW7Z 5425324 AA	.4	53.40
	L	XW7Z 5425325 AA	.4	53.40
120" WB	R	2W7Z 5425324 AA	.4	56.68
	L	2W7Z 5425325 AA	.4	56.68
	R/L	N806340 S		1.01
<i>Clip, Weatherstrip (b) (b) As Required</i>				
17 Weatherstrip, Up Door (On Door)	R	5W7Z 5425324 AA	.2	21.00
	L	5W7Z 5425325 AA	.2	21.00
18 Weatherstrip, Door Opng (On Body) (a)	R/L	XW7Z 54253A10 BAA	.5	60.38
<i>(a) Order by Application</i>				

**GLASS & PARTS**



002-11374

1 Glass, Door				
Ford				
114" WB	R	3W7Z 5425712 AA	#1.0	497.78
Laminated	L	3W7Z 5425713 AA	#1.0	497.78
Non-Laminated	R/L	F5MY 5425712-3 A	#1.0	167.42
120" WB	R	2W7Z 5425712 AA	#1.0	215.92
	L	2W7Z 5425713 AA	#1.0	215.92
NAGS				
114" WB	R	DD10227GTY	#1.0	477.25
Laminated	L	DD10228GTY	#1.0	477.25
w/Attachments	R	DD10227GNT	#1.0	0.00
w/o Attachments	L	DD10228GNT	#1.0	0.00
Non-Laminated	R	DD08636GNT	#1.0	165.45
	L	DD08637GNT	#1.0	165.45
120" WB	R	DD09914GNT	#1.0	185.45
	L	DD09915GNT	#1.0	185.45
<i>#Includes R&amp;I Trim Panel</i>				
2 Glass/Frame, Rear Vent				
Ford				
114" WB	R/L	F4MY 5426870-1 A	#1.2	801.48
120" WB	R	2W7Z 5426870 AA	#1.2	719.77
	L	2W7Z 5426871 AA	#1.2	719.77
NAGS				
114" WB	R	DV08638GTY	#1.2	809.70
	L	DV08639GTY	#1.2	809.70
120" WB	R	DV10039GTY	#1.2	740.30
	L	DV10040GTY	#1.2	740.30
<i>#Includes R&amp;R Door Glass</i>				
3 Retainer, Glass	R/L	D9AZ 54234A46 AA		2.77
4 Spacer, Glass	R/L	D9AZ 54234A44 AA		2.81
<i>As Required</i>				
5 Midg, Outer Belt-See Exterior Trim Section				
6 Midg, Inner Belt-See Interior Trim Section				
7 Regulator, Window	R	6W7Z 5427008 AA	#1.1	69.53
	L	6W7Z 5427009 AA	#1.1	69.53
<i>#w/Glass Removed Deduct .8</i>				
8 Motor, Regulator	R	1W7Z 5423395 BA	#.9	70.18

# CROWN VICTORIA 2003-07

## REAR DOOR Cont'd

### GLASS & PARTS Cont'd

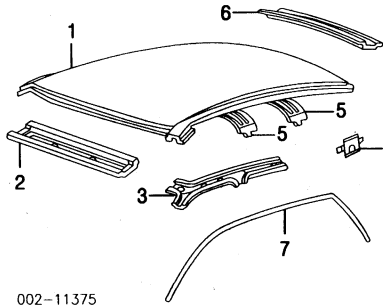
L 1W7Z 5423395 AA	#9	74.28
<i>#Included in R&amp;R Regulator</i>		
9 Bracket, Motor	R/L F2AZ 54233B94 B	29.50

## ROOF

Use Procedure Explanations 17 and 28 with the following text.

### SHEET METAL

Refinish Roof Outside	3.2
Add to Edge Roof	1.2

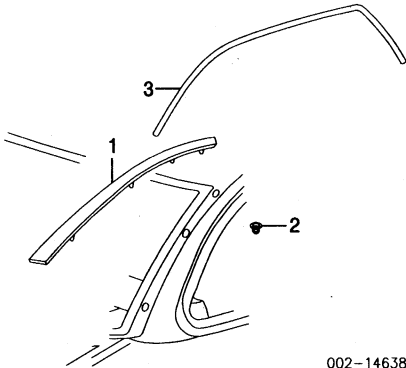


002-11375

1 Panel, Roof			
w/Sunroof	N.A.	21.0	0.00
w/o Sunroof			
114" WB	XW3Z 5450202 AA	19.0	521.67
120" WB	2W7Z 5450202 AA	19.0	1350.65
2 Panel, Front Header	3W1Z 5403408 AA	1.5	136.23
3 Rail, Inner Roof	R 3W7Z 5451180 AA	2.0	101.60
	L 3W7Z 5451181 AA	2.0	85.03
4 Extension, Inner Roof Rail			
120" WB	R 2W7Z 5451180 AA	.5	148.18
	L 2W7Z 5451181 AA	.5	95.95
5 Reinf, Roof Panel (2)			
Police Model	1W7Z 5450244 BA	.5	202.20
6 Panel, Rear Header	F5MY 5442220 A	1.5	46.08
7 W/Strip, Drip Side-See Exterior Trim Section			

### EXTERIOR TRIM

Refinish Roof Side Moulding	R/L	.5
R&I Roof Side Moulding	R/L	.2
R&I Drip Rail Moulding	R/L	.3



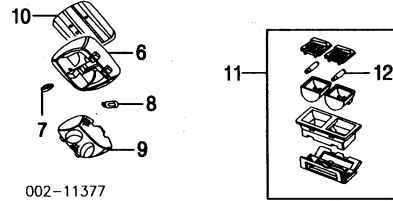
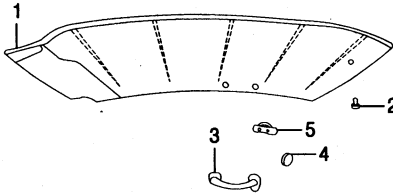
002-14638

1 Moulding, Side Roof (P)	R/L F2MY 5451728-9 A	.2	66.22
<i>(P) Paint to Match</i>			
2 Nut, Retaining	R/L N620370 S36M		.78
<i>#As Required</i>			
3 Moulding, Drip Rail			
w/Spotlight	R XW7Z 5451822 BA	.3	74.90
	L 2W7Z 5451823 BA	.3	76.33
w/o Spotlight			
114" WB	R XW7Z 5451822 AA	.3	70.55
	L XW7Z 5451823 AA	.3	55.47
120" WB	R 2W7Z 5451822 AA	.3	80.37
	L 2W7Z 5451823 AA	.3	*80.37

*#Order by Application*

### INTERIOR TRIM

R&I Headliner	2.4
---------------	-----

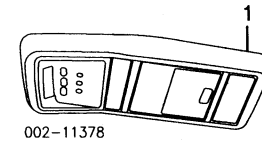


002-11377

1 Headliner			
w/Sunroof			
04	4W7Z 5451916 AAB	2.4	600.70
05	5W7Z 5451916 AAF	2.4	724.42
06-07	6W7Z 5451916 AAF	2.4	600.70
w/o Sunroof			
114" WB			
03	3W7Z 5451916 AAD	2.4	1063.90
04	4W7Z 5451916 BAB	2.4	600.70
05	5W7Z 5451916 FAC	2.4	600.70
06-07	6W7Z 5451916 BAC	2.4	600.70
120" WB			
03	3W7Z 5451916 FAD	2.4	1001.77
04	4W7Z 5451916 FAC	2.4	600.70
05	5W7Z 5451916 KAB	2.4	600.70
06-07	6W7Z 5451916 DAC	2.4	803.07
<i>#Order by Application</i>			
2 Clip, Headliner (2)			
Charcoal	XW7Z 6302354 AAC		5.22
Parchment	XW7Z 6302354 AAA		5.22
3 Handle, Assist			
Front			
Camel	R 6W7Z 5431406 BB	.2	39.32
Charcoal	03-05 R 3W7Z 5431406 BAC	.2	72.37
	06-07 R 6W7Z 5431406 BC	.2	39.32
Flint	R 1W7Z 5431406 BAA	.2	65.58
Parchment			
2003	R 3W7Z 5431406 BAB	.2	55.20
2004			
To 12-1-03	R 3W7Z 5431406 BAB	.2	55.20
From 12-2-03	R 3W7Z 5461406 BAA	.2	0.00
2005	R 3W7Z 5461406 BAA	.2	0.00
Stone	R 6W7Z 5431406 BA	.2	39.32
Rear			
Camel	R 6W7Z 5431406 AB	.2	37.82
L	6W7Z 5431407 AB	.2	41.82
Charcoal	03-05 R 3W7Z 5431406 AAD	.2	72.37
	L 3W7Z 5431407 AAD	.2	66.25
06-07 R 6W7Z 5431406 AC	.2	39.32	
L 6W7Z 5431407 AC	.2	53.08	
Flint	R 3W7Z 5431406 AAC	.2	66.25
L 3W7Z 5431407 AAC	.2	66.25	
Parchment			
2003	R 3W7Z 5431406 AAB	.2	66.25
L 3W7Z 5431407 AAB	.2	97.18	
2004			
To 12-1-03	R 3W7Z 5431406 AAB	.2	66.25
L 3W7Z 5431407 AAB	.2	97.18	
From 12-2-03	R 3W7Z 5431406 AAA	.2	66.25
L 3W7Z 5431407 AAA	.2	72.37	
2005	R 3W7Z 5431406 AAA	.2	66.25
L 3W7Z 5431407 AAA	.2	72.37	
Stone	R 6W7Z 5431406 AA	.2	39.32
L 6W7Z 5431407 AA	.2	75.10	
4 Hook, Coat			
Black	R/L 4W7Z 5429024 BC	.1	9.37
Camel	R/L 6W7Z 5429024 BB	.1	9.37
Charcoal	R/L 6W7Z 5429024 BC	.1	9.37
Flint	R/L 4W7Z 5429024 BB	.1	8.67
Parchment	R/L 4W7Z 5429024 BA	.1	8.33
Stone	R/L 6W7Z 5429024 BA	.1	9.37
5 Brkt, Coat Hook	R/L F2AZ 5429232 A		49.00
6 Lamp, Front Dome/Reading			
Black	F17Z 13776 ADM	.2	56.97
Flint	F17Z 13776 ADQ	.2	53.50
Parchment	XW3Z 13776 AAE	.2	51.43
Bulb, Dome Lamp			
7 Side (2)	C7SZ 13466 B		1.03
8 Center	D8BZ 13466 A		1.69
<i>#Order by Application</i>			
9 Lens, Dome Lamp			
Std Type	D9AZ 13783 C	.1	4.35
Bug Eye Type	F1TZ 13783 A	.1	21.48
10 Brkt, Lamp Mtg			
Base, LX, LX Sport Model	N.A.		0.00
Police Model	F2MY 5451536 A		30.02
11 Lamp Assy, Rear Dome			
Charcoal	FV7Z 13776 AAC	.2	46.92
Flint	FSVZ 13776 AAC	.2	77.85
Parchment	FV7Z 13776 AAB	.2	48.57
12 Bulb, Dome Lamp (a) (2)	D8BZ 13466 A		1.69
<i>(a) Included w/Rear Dome Lamp Assy</i>			
Harness, Roof	N.A.		0.00

## OVERHEAD CONSOLE

R&I Overhead Console	4
----------------------	---



002-11378

### 1 Console, Overhead

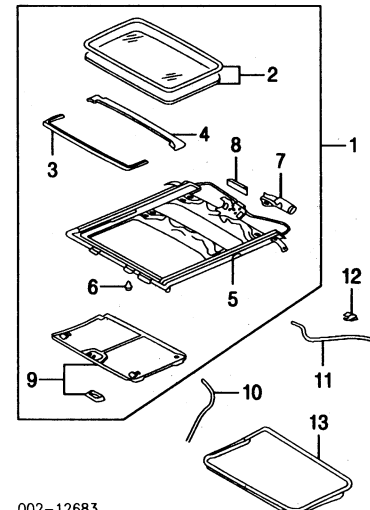
2003			
To 5-29-02			
Charcoal	3W7Z 54519A70 BAC	.4	751.48
Flint	3W7Z 54519A70 BAB	.4	721.62
Parchment	3W7Z 54519A70 BAD	.4	641.32
From 5-30-02			
Charcoal	3W7Z 54519A70 BAF	.4	692.62
Flint	3W7Z 54519A70 BAE	.4	628.60
Parchment	3W7Z 54519A70 BAD	.4	641.32
2004			
w/Sunroof			
Charcoal	5W7Z 54519A70 AAB	.4	642.10
Flint	5W7Z 54519A70 AAC	.4	642.10
Parchment	5W7Z 54519A70 AAA	.4	693.47
w/o Sunroof			
Charcoal	4W7Z 54519A70 BAB	.4	693.47
Flint	4W7Z 54519A70 BAC	.4	650.53
Parchment			
To 12-1-03	4W7Z 54519A70 BAA	.4	693.47
From 12-2-03	4W7Z 54519A70 BAD	.4	650.53
2005			
w/Sunroof			
Charcoal	5W7Z 54519A70 AAB	.4	642.10
Flint	5W7Z 54519A70 AAC	.4	642.10
Parchment	5W7Z 54519A70 AAA	.4	693.47
w/o Sunroof			
Charcoal	4W7Z 54519A70 BAB	.4	693.47
Flint	4W7Z 54519A70 BAC	.4	650.53
Parchment	4W7Z 54519A70 BAD	.4	650.53
2006-07			
w/Sunroof			
Camel	6W7Z 54519A70 AAB	.4	721.20
Charcoal	6W7Z 54519A70 AAC	.4	721.20
Stone	6W7Z 54519A70 AAA	.4	721.20
w/o Sunroof			
Camel	6W7Z 54519A70 BAB	.4	613.90
Charcoal	6W7Z 54519A70 BAC	.4	613.90
Stone	6W7Z 54519A70 BAA	.4	676.55
Bracket, Console	3W7Z 54045A46 AA	.4	36.17

*#Order by Application*

## SUNROOF

R&I Sunroof Assy	#1.0
O/H Sunroof Assy (Includes R&I)	#2.5

*#w/Headliner Removed*



002-12683

1 Sunroof Assy			
Black			
04	4W7Z 54502A82 AAC	#1.0	1045.58
05-07	5W7Z 54502A82 AAC	#1.0	0.00
Camel	N.A.	#1.0	0.00
Charcoal	06-07 N.A.	#1.0	0.00
Flint	04 4W7Z 54502A82 AAB	#1.0	1005.53
	05-06 5W7Z 54502A82 AAB	#1.0	d1005.53
Parchment	04 4W7Z 54502A82 AAA	#1.0	d1005.53
	05-06 5W7Z 54502A82 AAA	#1.0	d931.05
Stone	06 N.A.	#1.0	0.00
<i>#w/Headliner Removed</i>			
2 Glass, Sunroof	4W7Z 54500A18 AA	.8	449.45
3 Deflector, Air	F8VZ 54500A26 AA		99.40
4 Trough, Drain	F7LZ 6354022 AA		160.75
5 Housing, Sunroof	F8VY 54502C06 AA		935.93

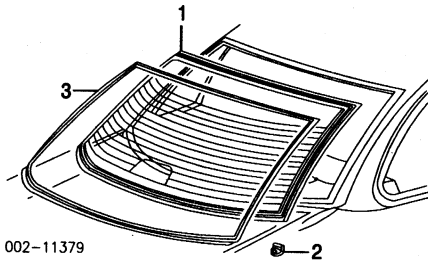
# CROWN VICTORIA 2003-07

6 Screw, Attaching <sup>(a)</sup>	N808401 S424	2.88
<i>(a) As Required</i>		
7 Motor, Sunroof <sup>(a)</sup>		
6 Pin	F8VZ 15790 AB	.8 213.96
10 Pin	3W1Z 15790 AA	.8 339.16
8 Module, Sunroof <sup>(a)</sup>	F75Z 78502D70 AA	120.55
9 Sunshade <sup>(a)</sup>		
Camel	6W7Z 54519A02 AB	.8 193.28
Charcoal	04-05 4W7Z 54519A02 AAC	.8 161.52
	06-07 6W7Z 54519A02 AA	.8 193.28
Flint	4W7Z 54519A02 AAB	.8 161.52
Parchment	4W7Z 54519A02 AAA	.8 149.14
Stone	6W7Z 54519A02 AA	.8 193.28
<i>#/Included w/Sunroof Assy</i>		
10 Hose, Front Drain	R/L 3W7Z 54502C52 AA	23.52
11 Hose, Rear Drain	R/L 3W7Z 54502C53 AA	23.75
12 Clip, Hose (a)	R/L W70392 S900	2.68
<i>(a) As Required</i>		
13 Ring, Trim		
Inner	4W7Z 5452124 AB	82.93
Outer		
Black	4W7Z 5452124 AAB	67.33
Camel	7W7Z 5452124 AB	30.95
Charcoal	7W7Z 5452124 AC	30.95
Flint	4W7Z 5452124 AAG	0.00
Parchment	4W7Z 5452124 AAA	68.70
Stone	7W7Z 5452124 AA	30.95

## BACK WINDOW

Use Procedure Explanation 19 with the following text.

R&I Back Glass	#2.1
<i>#Includes Clean Up Old Adhesive as Necessary</i>	



002-11379

1 Glass, Back Window			
Ford	03-04 YW7Z 5442006 AA	#1.7	520.30
	05 SW7Z 5442006 AA	#1.7	1055.43
	06-07 6W7Z 5442006 A	#1.7	244.65
NAGS	03-04 DB09692GT	#1.7	239.65
	05 DB10713GT	#1.7	430.10
	06-07 DB10949GT	#1.7	257.65
Adhesive	N.A.		0.00
<i>#Includes Clean Up Old Adhesive as Necessary</i>			
2 Stop, Lower Glass	R/L F2AZ 5442308 A		6.70
3 Mldg, Back Window	F2MY 5442404 A		115.85

## QUARTER PANEL

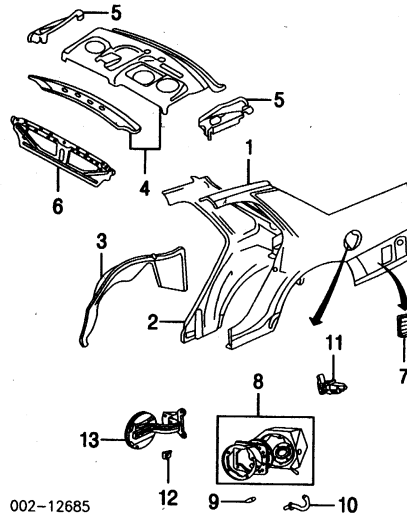
Use Procedure Explanations 20 and 28 with the following text.

### SHEET METAL/EXTERIOR TRIM

Refinish Quarter Outside	R/L	2.4
Add for Pillar	R/L	.5
Add to Edge Panel	R/L	.5
Refinish Fuel Filler Door		#.5
<i>#Included in Refinish Left Quarter Panel</i>		
Add for Inside		.2
R&R Both Quarter Panels		28.2
R&R Roof & Both Quarter Panels		
w/Sunroof		44.1
w/o Sunroof		42.1
R&R Rear Body Panel & Both Quarter Panels		31.7
R&R Roof, Both Quarter Panels & Rear Body Panel		
w/Sunroof		47.6
w/o Sunroof		45.6
Add to R&R Quarter Panel		
To R&I Back Glass		.4

Illustration Located in Next Column

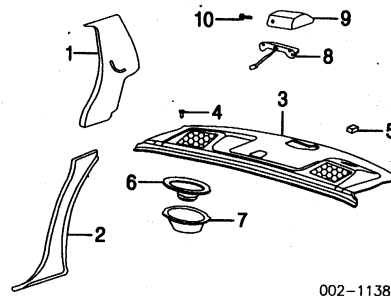
1 Panel, Outer Quarter			
114" WB	R 3W7Z 5427840 AA	#15.5	892.57
	L 3W7Z 5427841 AA	#16.0	892.57
120" WB	R 3W7Z 5427840 AA	#15.5	892.57
	L 3W7Z 5427841 AA	#16.0	892.57
<i>#Left Side Includes R&amp;R Fuel Filler Door &amp; Housing, Deduct 3.4 w/Roof Removed, Deduction Includes Common Surfaces &amp; Included Operations</i>			
2 Panel, Inner Quarter	R 3W7Z 5427790 AA	5.5	358.07
	L 3W7Z 5427791 AA	5.5	192.05
3 Wheelhouse, Inner	R F8AZ 542786 AA	2.5	93.48
	L F8AZ 542787 AA	2.5	93.48
Bracket, Hinge	R/L F2MY 5442738-9 A		30.63
4 Panel, Package Tray	03-04 3W7Z 5446506 AA	#4.5	134.68
	05-07 5W7Z 5446506 AA	#4.5	128.93



002-12685

<i>#Includes R&amp;R Package Tray Supports</i>			
5 Support, Package Tray	R F8AZ 5446812 AA	2.5	70.83
	L F8AZ 5446813 AA	2.5	76.77
6 Strainer, Package Tray	3W1Z 5446610 AA		92.57
7 Vent, Air	R/L 1F1Z 54280B62 AA	#2	15.78
<i>#w/Bumper Cover Removed</i>			
8 Housing, Fuel Filler			
w/Remote Release	L 1W7Z 5427936 AA	.8	47.48
w/o Remote Release	L 3W7Z 5427936 BA	.8	42.45
9 Bumper, Fuel Door	L W705169 S300		5.44
10 Hose, Overflow	L FOVY 9C005 A		d17.09
11 Latch, Fuel Door	L F3AZ 5428610 B		73.90
12 Retainer, Latch	L 1W7Z 5428608 AA		6.82
13 Door, Fuel			
Man Release	L 3W7Z 54405A26 AA	.4	42.72
Remote Release	L 1W7Z 54405A26 BA	.4	51.53
Antenna			
2005			
To 3-22-05	R F3SZ 18813 A	1.1	16.33
From 3-23-05	R 5C3Z 18813 AA	1.1	25.43
Nut, Antenna	05 R W70944 S424		1.78
Bezel, Antenna	05 R 5W7Z 18919 AA		5.64
Base & Cable, Antenna	05 R 5W7Z 18A984 AA		18.98

## INTERIOR TRIM



002-11381

1 Panel, Upper Trim			
Camel	R 6W7Z 5452018 AB	.5	38.58
	L 6W7Z 5452019 AAC	.5	26.33
Charcoal	03-05 R 5W7Z 5452018 AB	.5	43.33
	L 1W7Z 5452019 AAK	.5	46.38
	06-07 R 6W7Z 5452018 AC	.5	38.58
	L 6W7Z 5452019 AAA	.5	26.33
Flint	03-05 R 5W7Z 5452018 AC	.5	38.58
	L 1W7Z 5452019 AAF	.5	48.15
Parchment			
2003	R 1W7Z 5452018 AAG	.5	75.70
	L 1W7Z 5452019 AAG	.5	47.38
2004			
To 12-1-03	R 1W7Z 5452018 AAG	.5	75.70
	L 1W7Z 5452019 AAG	.5	47.38
From 12-2-03	R 5W7Z 5452018 AA	.5	41.67
	L 3W7Z 5452019 AAA	.5	38.65
	R 5W7Z 5452018 AA	.5	41.67
	L 3W7Z 5452019 AAA	.5	38.65
Stone	R 6W7Z 5452018 AA	.5	26.33
	L 6W7Z 5452019 AAC	.5	26.33
2 Panel, Lower Trim			
Camel	R 6W7Z 5431012 AC	.5	13.10
	L 6W7Z 5431013 AC	.5	13.10
Charcoal	03-05 R YW7Z 5431012 AAA	34.82	
	L YW7Z 5431013 AAA	34.82	
	06-07 R 6W7Z 5431012 AA	13.10	
	L 6W7Z 5431013 AA	13.10	
Flint	03-05 R 1W7Z 5431012 AAA	41.83	
	L 1W7Z 5431013 AAA	41.83	
Parchment	03-05 R XW7Z 5431012 AAA	37.15	
	L XW7Z 5431013 AAA	37.15	

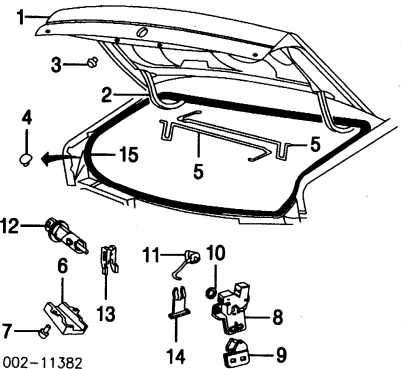
Stone	R 6W7Z 5431012 AB	.5	13.10
	L 6W7Z 5431013 AB	.5	13.10
3 Panel, Package Tray Trim			
Camel	6W7Z 5446668 AAB	#2	78.53
Charcoal	03-05 3W7Z 5446668 AAC	#2	151.82
	06-07 6W7Z 5446668 AAC	#2	119.27
Flint	03-05 3W7Z 5446668 AAD	#2	149.18
Parchment	03-05 3W7Z 5446668 AAA	#2	155.10
Stone	6W7Z 5446668 AAA	#2	119.27
<i>#w/Rear Seat, Upper Trim Panels &amp; High Mount Stop Lamp Removed</i>			

4 Clip, Trim <sup>(a)</sup>	390018 S		.72
<i>(a) As Required</i>			
5 Cover, Anchor (3)			
Black	YW1Z 54613E54 AAJ		31.05
Flint	3W7Z 54613E54 AAA		19.95
Parchment	YW1Z 54613E54 AAF		31.05
6 Speaker, Radio <sup>(a)</sup>	R/L 6L5Z 18808 EA	.3	77.88
7 Cover, Rear Speaker <sup>(a)</sup>	R/L F8VZ 19A132 AA		d13.93
<i>(a) Order by Application</i>			
8 Flasher, Rear			
Police Model	R 1W7Z 13A613 AB		416.00
	L 1W7Z 13A613 AA		224.47
9 Cover, Flasher <sup>(a)</sup>			
Police Model	R/L 1W7Z 13434 AAB		150.28
<i>(a) Order by Application</i>			
10 Clip, Cover			
Police Model	R/L N610127 S		0.00

## LUGGAGE LID

Use Procedure Explanations 24 and 28 with the following text.

Refinish Lid Outside		2.7
Add for Underside		1.4
Refinish Hinge	R/L	.5
R&I Lid Assy		.5



002-11382

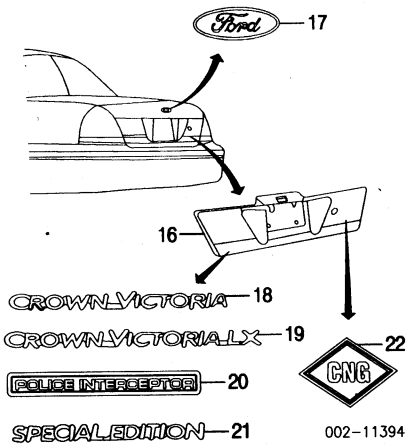
1 Lid, Luggage	F8AZ 5440110 BA	1.5	595.63
2 Hinge, Lid	R F8AZ 5442700 AA	#1.4	68.65
	L F8AZ 5442701 AA	#1.4	68.65
<i>#w/Lid &amp; Package Tray Trim Panel Removed, Includes R&amp;R Torsion Bars</i>			
3 Bumper, Upper Lid	R/L W708838 S300	.1	3.25
4 Bumper, Lower Lid	R/L 391142 S100	.1	2.28
5 Bar, Torsion			
w/CNG	R F6AZ 5444890 AB	#.5	d19.90
	L F6AZ 5444891 AB	#.5	d19.98
w/o CNG	R F8AZ 5444890 AA	#.5	24.25
	L F8AZ 5444891 AA	#.5	21.68
<i>#R&amp;R Both 6</i>			
6 Cover, Latch	03-06 F5AZ 54432A30 A		d8.00
	07 N.A.		0.00
7 Clip, Cover (2)	N804570 S		1.05
8 Latch	03 XW7Z 5443200 BA	.3	62.10
	04-06 7W7Z 5443200 A	.3	54.07
	07 7W7Z 5443200 A	.3	54.07
9 Striker, Latch	F2AZ 5440A42 A	.2	19.12
10 Clip, Lock Retainer	F6AZ 5440182 A		6.67
11 Rod, Latch Release	F6AZ 5443329 AA		19.48
12 Cylinder, Lock			
2003-05	XW3Z 5443262 BA	#.3	41.83
2006-07			
w/Theft Deterrent	6W7Z 5443262 A	#.3	56.17
w/o Theft Deterrent	6W7Z 5443262 B	#.3	d56.17
13 Support, Lock	EDZ 54432A48 A	#.3	6.52
14 Retainer, Lock Cylinder	F5AZ 5443629 A	#.3	d10.06
<i>#R&amp;R Complete</i>			
15 Weatherstrip, Luggage Lid (On Body)	XW7Z 5443720 AA	.3	70.45

Illustration Located in Next Column

16 Lamp, Reflector/Back-Up-See Rear Lamps Section			
Emblem (Adhesive)	F8AZ 5442528 CA	2	19.87
Nameplate (Adhesive)			
"Crown Victoria"	3W7Z 5442528 AA	2	19.97
"Crown Victoria LX"	3W7Z 5442528 BA	2	23.23
"Police Interceptor"	XW7Z 5442528 AA	2	17.50
"Special Edition"	XW7Z 5442528 AB	2	13.77
Decal, "CNG"	F6AZ 5442528 BA	2	20.97

# CROWN VICTORIA 2003-07

## LUGGAGE LID Cont'd



- 16 CROWN VICTORIA
- 18 CROWN VICTORIA LX
- 19 POLICE INTERCEPTOR
- 20 SPECIAL EDITION
- 22 CNG

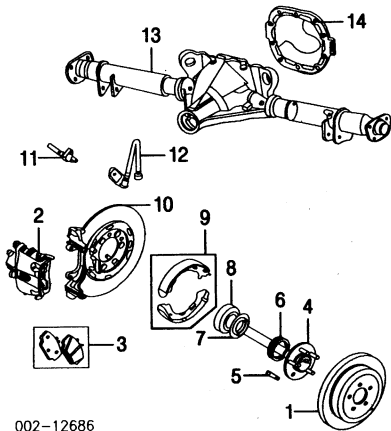
002-11394

## REAR SUSPENSION

Use Procedure Explanation 23 with the following text.

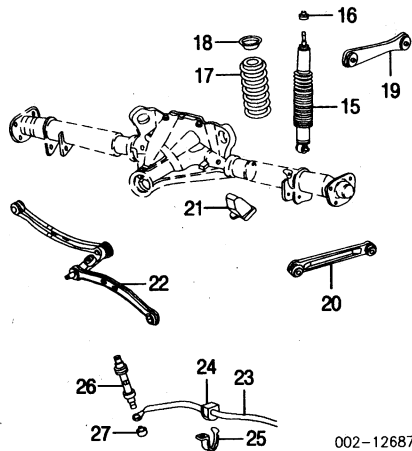
R&I Suspension/Rear Axle Housing	m	3.0
Check Rear Alignment	m	.8
Add to Adjust Front Alignment	m	1.0
Bleed Brake System	m	.6

NOTE: R&R/R Does Not include alignment or bleed brake system.



002-12686

1 Rotor, Brake	R/L 3W7Z 2C026 AA	m	#.6	94.58	
2 Caliper, Brake	<b>#R&amp;R Both 1.0</b>				
	03-04 R 3W1Z 2552 CA	m	#.5	126.83	
	L 3W1Z 2553 CA	m	#.5	129.40	
	05-07 R 6W1Z 2552 AA	m	#.5	124.15	
	L 6W1Z 2553 AA	m	#.5	124.15	
	<b>Each Caliper Includes Brake Pads for One Side of Vehicle</b>				
	<b>#R&amp;R Both .8</b>				
3 Pad Set, Brake	114" WB				
	03-05 4W1Z 2200 AA	m	#1.0	110.90	
	06-07 6W1Z 2200 AA	m	#1.0	108.70	
	120" WB				
	4W7Z 2200 AA	m	#1.0	106.83	
	<b>Deduct .5 for Each Caliper Removed</b>				
4 Shaft, Axle	R/L 3W1Z 4234 KA	m	#1.2	220.87	
	2003-04				
	28 Spine	R/L 3W1Z 4234 KA	m	#1.2	220.87
	31 Spine	R/L 6W1Z 4234 A	m	#1.2	202.38
5 Stud, Lug (S/ide)	R/L 3W1Z 1107 AA	m		2.62	
6 Indicator, Rear ABS-See ABS/Brakes Section	R/L 3U2Z 1S177 AA	m	#1.2	5.53	
7 Seal, Axle Bearing	R/L 3W1Z 1225 AA	m	#1.2	28.78	
8 Bearing, Axle					
	<b>#R&amp;R One Side Complete, Includes R&amp;R Rotor</b>				
9 Shoe Set, Park Brake	03-04 6W1Z 2N712 A	m	#1.4	104.30	
	05-07 6W1Z 2N712 A	m	#1.4	104.30	
	<b>Includes R&amp;R Rotors</b>				
10 Plate, Caliper Anchor	03-05 R/L 3W1Z 2B582 AA	m	#.2	165.48	
	06-07 R/L 6W1Z 2B582 C	m	#.2	173.77	
	<b>#w/Axle Shaft Removed</b>				
11 Sensor, Rear ABS-See ABS/Brakes Section					
12 Hose, Brake	03-05 R 3W1Z 2A442 AA	m	#.3	32.88	
	L 3W1Z 2A442 BA	m	#.3	39.33	
	06-07 R 6W1Z 2A442 AA	m	#.3	22.75	
	L 6W1Z 2A442 BA	m	#.3	23.15	
	<b>#w/Caliper Removed Deduct .2</b>				
13 Housing, Axle	6W1Z 4010 A	m	6.0	665.40	
14 Cover, Housing	F8AZ 4033 AA	m	#.7	53.53	
	<b>Includes in R&amp;R Axle Housing</b>				
Sealant	N.A.			0.00	



002-12687

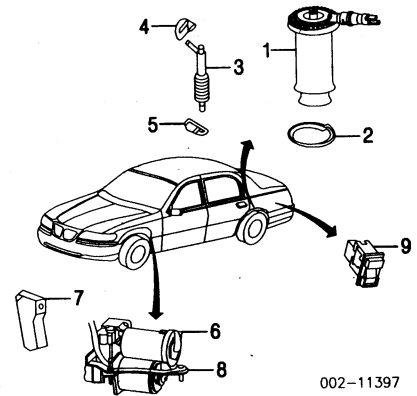
### 15 Absorber, Shock

2003				
Base, LX, LX Sport Model				
Std Susp	R/L 3U2Z 18125 AD	m	#.8	84.95
Sport Susp	R/L 3U2Z 18125 AE	m	#.8	84.43
Police Model	R/L 3U2Z 18125 AF	m	#.8	84.95
2004				
To 12-1-03				
Base, LX, LX Sport Model				
Std Susp	R/L 3U2Z 18125 AD	m	#.8	84.95
Sport Susp	R/L 3U2Z 18125 AE	m	#.8	84.43
Police Model	R/L 3U2Z 18125 AF	m	#.8	84.95
From 12-2-03				
Base, LX, LX Sport Model				
Std Susp	R/L 4W7Z 18125 AA	m	#.8	84.43
Sport Susp	R/L 4W7Z 18125 BA	m	#.8	84.95
Police Model	R/L 4W7Z 18125 CA	m	#.8	84.95
2005				
Base, LX, LX Sport Model				
Std Susp	R/L 4W7Z 18125 AA	m	#.8	84.43
Sport Susp	R/L 4W7Z 18125 BA	m	#.8	84.95
Police Model	R/L E7PZ 18125 A	m	#.8	31.95
2006				
To 12-5-05				
Base, LX, LX Sport Model				
Std Susp	R/L 4W7Z 18125 AA	m	#.8	84.43
Sport Susp	R/L 4W7Z 18125 BA	m	#.8	84.95
Police Model	R/L 4W7Z 18125 CA	m	#.8	84.95
From 12-6-05				
Base, LX, LX Sport Model				
Std Susp	R/L 6W7Z 18125 D	m	#.8	84.43
Sport Susp	R/L 6W7Z 18125 B	m	#.8	84.43
Police Model	R/L 6W7Z 18125 C	m	#.8	84.95
2007				
Base, LX, LX Sport Model				
Std Susp	R/L 7W1Z 18125 A	m	#.8	80.42
Sport Susp	R/L 7W7Z 18125 B	m	#.8	84.43
Police Model	R/L 7W7Z 18125 C	m	#.8	84.95
	<b>#R&amp;R Both 1.4</b>			
16 Nut, Shock Absorber	R/L 6W7Z 18A161 AA	m	#.6	5.12
17 Spring, Coil	03-04 R/L 3W7Z 5560 AA	m	#.6	41.09
	05 R/L 5W7Z 5560 AA	m	#.6	129.40
	06-07 R/L 6W1Z 5560 AA	m	#.6	112.29
	<b>Order by Application</b>			
18 Insulator, Upr Spring	R/L D9AZ 5536 A	m	#.6	8.57
	<b>#R&amp;R One Side Complete, R&amp;R Both Sides .8</b>			
19 Arm, Upper Control				
	<b>Order by Application</b>			
Std Susp	R/L 5W1Z 5500 AA	m	#.9	67.37
Sport Susp	R/L 5W1Z 5500 BA	m	#.9	67.37
2005-07	R/L 5W1Z 5500 BA	m	#.9	67.37
	<b>Order by Application</b>			
20 Arm, Lower Control	03-05 R/L 5W1Z 5A649 AA	m	#.9	58.23
	06-07 R/L N.A.	m	#.9	0.00
	<b>#R&amp;R Both Sides 1.6, w/Axle Housing Removed Deduct .5</b>			
21 Bumper, Rear Axle	R/L 3W1Z 4730 AA	m	#	13.88
22 Link, Lateral	6W1Z 4264 B	m	#.8	116.18
	<b>Includes in R&amp;R Axle Housing</b>			
23 Bar, Stabilizer				
Std Susp	3W1Z 5A772 AA	m	#.9	54.10
Sport Susp	YW7Z 5A772 CA	m	#.9	51.33
	<b>Includes R&amp;R Stabilizer Links, Brackets &amp; Bushings</b>			
24 Insulator, Stabilizer				
Std Susp-Serviced w/Stabilizer Bar	R/L YW7Z 5493 CA	m	#.3	10.45
Sport Susp	R/L 3W1Z 5486 AA	m	#.3	7.98
25 Brkt, Stabilizer Bar				
	<b>#R&amp;R One Side Complete</b>			
26 Link, Stabilizer	R/L 6W1Z 5664 AA	m	.3	11.35
27 Insulator, Stab Link	R/L F1VY 5493 C	m		12.29

## LEVEL CONTROL

Illustration Located in Next Column

1 Spring, Air	R/L 3U2Z 5580 PA	m	#.7	145.25
	<b>Order by Application</b>			



002-11397

### #R&R Both 1.2

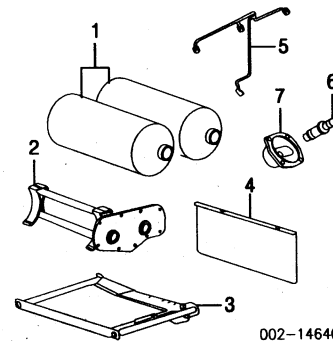
2 Seat, Spring	R/L 6W1Z 5C560 AA	m		13.95
3 Sensor, Height Control	6W1Z 5359 A	m	.5	47.17
4 Bracket, Upper Mounting	N.A.			0.00
5 Bracket, Lower Mounting	F8AZ 5A901 CA			11.95
6 Compressor, Air Susp	6W1Z 5319 AA	m	#1.0	203.97
7 Canister, Compressor	F4AZ 5C195 A	m	#1.0	6.93
	<b>#R&amp;R Complete</b>			
8 Mounting Kit, Comp	F6AZ 5Z205 AA	m		38.75
9 Switch, Air Susp	F3LY 5K761 A	m	.4	34.42

## FUEL TANK

NOTE: R&R/R Does Not include drain and refill.

### CNG

R&I Fuel Tank	1.5
---------------	-----

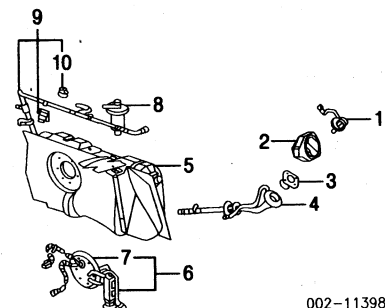


002-14640

1 Tank, Fuel				
Extended Range	2W7Z 9002 AA	m	#2.0	1757.78
Std Range	2W7Z 9002 BA	m	#2.0	3123.22
Support, Fuel Tank				
2 Upper	F6AZ 9053 AD	m	#2.0	2322.49
3 Lower	F6AZ 9A138 AB	m	#2.0	72.81
	<b>#R&amp;R Complete</b>			
4 Shield, Tank	2W7Z 9K014 AA			499.40
5 Harness, Sensor	2W7Z 14407 BA	m		27.68
6 Pipe, Fuel Filler	2C2Z 9C112 AA			661.38
7 Flange, Filler Neck	F6AZ 9039 AC			37.51

### GAS

R&I Fuel Tank	1.8
---------------	-----



002-11398

1 Cap, Fuel Filler				
Locking	03-04 XU5Z 9030 HC			24.95
	05-07 6W7Z 9030 AA			35.32
Non-Locking	03-04 XU5Z 9030 JA			21.94
	05-07 6W7Z 9030 C			18.54
2 Housing, Fuel Filler-See Quarter Panel Section				
3 Seal, Filler Pipe	F4ZZ 9008 A			16.15
4 Pipe, Fuel Filler				

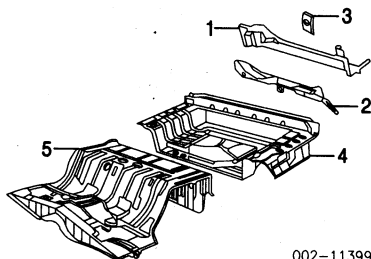
2003-04	3W7Z 9034 AA	1.0	137.15
2005-07	5W7Z 9034 BA	1.0	75.85
2006-07	6W7Z 9034 AA	1.0	86.66
<i>Order by Application</i>			
5 Tank, Fuel			
2003-04	3W1Z 9002 AA	m 2.2	611.87
2005			
To 2-15-05	5W1Z 9002 AB	m 2.2	260.55
From 2-16-05	6W1Z 9002 B	m 2.2	260.55
2006-07	6W1Z 9002 B	m 2.2	260.55
6 Pump Assy, Fuel			
03-04	3W1Z 9H307 AB	m #2.0	266.25
05-07	6W1Z 9H307 B	m #2.0	301.28
7 Sender, Fuel (a)			
2W1Z 9275 AB	m #2.0	36.67	
<i>(a) Included w/Fuel Pump Assy</i>			
<i>#Included in R&amp;R Fuel Tank</i>			
8 Regulator, Pressure			
03-04	YW7Z 9B190 AA	m	91.49
05-07	7W1Z 9B190 A	m	97.69
9 Tube Assy, Vapor			
03-04	1W1Z 9C047 AE		137.27
05-07	5W1Z 9C047 BA		128.45
10 Valve, Vapor (b)			
F8DZ 9B593 AB	m	75.96	
<i>(b) Included w/Vapor Tube Assy</i>			
Strap, Tank Support	R/L 3W7Z 9092 BA		31.64

## REAR BODY

Use Procedure Explanations 26 and 28 with the following text.

## SHEET METAL

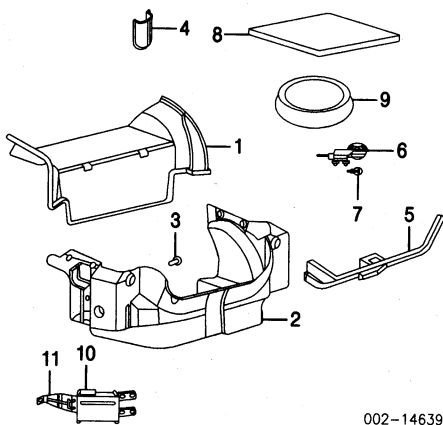
Refinish Rear Panel	2.0
Add for Inside	1.0
Refinish Panel Reinforcement	.5
Refinish Rear Floor Pan	1.0



002-11399

1 Panel, Rear	F8AZ 5440320 AA	#6.5	127.35
<i>#Includes R&amp;R Panel Reinforcement, Deduct 2.0 for Each Quarter Removed, Deduction Includes Common Surfaces &amp; Included Operations</i>			
2 Reinf, Rear Panel	F8AZ 5440338 AA	#2.5	71.58
<i>#w/Rear Body Panel Removed</i>			
3 Bracket, Striker	F8AZ 5443235 AA	#1.5	22.95
<i>#Includes R&amp;R Striker, w/Rear Body Panel Removed Deduct 1.0</i>			
4 Pan, Rear Floor			
w/CNG	3W7Z 5411215 BA	#8.0	446.30
w/o CNG	3W7Z 5411215 AA	#8.0	460.20
<i>#w/Rear Body Panel Removed</i>			
5 Pan, Center Floor			
w/CNG	3W7Z 5411160 AA	#8.5	882.68
w/o CNG	3W7Z 5411160 AA	#8.5	555.95
<i>#w/Rear Floor Pan Removed</i>			
Extension, Floor Pan			
120" WB	2W7Z 5411160 AA		187.18

## INTERIOR TRIM



002-14639

## Cover, Compartment

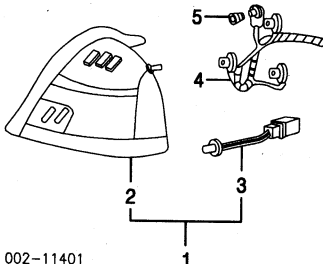
1 Front			
2003-04			
w/CNG	F8AZ 5445455 CBB	#3	250.53
w/o CNG	F8AZ 5445455 ABB	#3	250.53
2005-07	F8AZ 5445455 ABB	#3	250.53
2 Rear			
2003-04			
w/CNG	3W7Z 5445455 CAA	#3	217.80

	w/o CNG		
	w/CD Changer	3W7Z 5445455 BAA	#3 217.80
	w/o CD Changer	3W7Z 5445455 AAA	#3 217.80
	2005-07		
	w/CD Changer	5W7Z 5445455 BAA	#3 165.47
	w/o CD Changer	5W7Z 5445455 AAA	#3 165.47
<i>#R&amp;R Complete</i>			
3 Retainer, Cover (a)		390018 S	.72
<i>(a) As Required</i>			
<i>(a) Order by Application</i>			
4 Shield, Fuel Filler		L F6AZ 54405A90 A	13.78
w/CNG		1W7Z 5411318 AAB	78.38
5 Panel, Rear Sill Trim (a)			
<i>(a) Order by Application</i>			
6 Lamp, Luggage Comp		3W1Z 13A756 AA	17.92
7 Bulb, Lamp		F58Z 13466 A	2.64
8 Mat, Compartment		F5AZ 5413046 AAA	229.68
9 Cover, Spare Wheel			
Compact Spare		1W7Z 5445026 AAA	73.77
w/CNG		1W1Z 5445026 AAA	88.53
Full Size Spare		1W7Z 5445026 BAA	62.58
w/CNG		2W7Z 5445026 AAA	72.05
w/o CNG		XW1Z 18D806 AA	740.35
10 Changer, CD (a)			
<i>(a) Order by Application</i>			
11 Brkt, CD Changer			
Front	F8VZ 18C835 AA		13.29
Rear	F8VZ 18C835 BA		24.33
Harness, Rear Body	N.A.		0.00

## REAR LAMPS

### COMBINATION LAMP

R&I Combination Lamp	R/L	.4
----------------------	-----	----

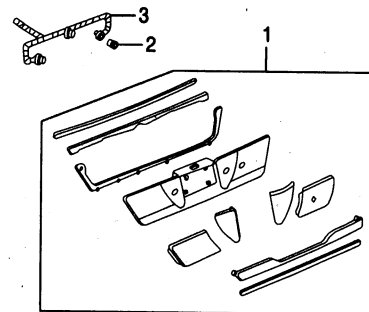


002-11401

1 Lamp Assy, Combination			
Base, LX, LX Sport Model-Serviced by Components			
Police Model	R 1W7Z 13404 AA	.4	193.63
	L 1W7Z 13405 AA	.4	202.27
2 Lamp, Combination			
Base, LX Model			
Red/Amber Lens	03 R 3W7Z 13404 CA	.4	80.93
	L 3W7Z 13405 CA	.4	73.18
Red Lens			
Black Mldg	R YW7Z 13404 AA	.4	176.50
	L YW7Z 13405 AA	.4	176.50
Chrome Mldg	04-05 R 4W7Z 13404 AA	.4	81.82
	L 4W7Z 13405 AA	.4	71.92
	06-07 R 6W7Z 13404 CA	.4	84.58
	L 6W7Z 13405 CA	.4	84.63
LX Sport Model			
Black (Code UA)	03 R 3W7Z 13404 AAE	.4	92.43
	L 3W7Z 13405 AAE	.4	169.40
	04-07 R 4W7Z 13404 BAB	.4	90.58
	L 4W7Z 13405 BAB	.4	172.65
Driftwood Beige (Code P2)	06-07 R 6W7Z 13404 AB	.4	71.92
	L 6W7Z 13405 AB	.4	71.92
Midnight Gray (Code TV)	04-07 R 4W7Z 13404 BAC	.4	87.95
	L 4W7Z 13405 BAC	.4	181.87
Silver Birch (Code JP)	03 R 3W7Z 13404 AAD	.4	89.73
	L 3W7Z 13405 AAD	.4	182.85
	04-07 R 4W7Z 13404 BAD	.4	109.93
	L 4W7Z 13405 BAD	.4	181.87
Silver Frost (Code TS)	03 R 1W7Z 13404 AAD	.4	101.73
	L 1W7Z 13405 AAD	.4	205.58
Toreador Red (Code JL)	04-07 R 4W7Z 13404 BAA	.4	109.93
	L 4W7Z 13405 BAA	.4	181.87
Wedgewood Blue (Code LL)	03 R 1W7Z 13404 AAC	.4	108.08
	L 1W7Z 13405 AAC	.4	205.58
Police Model (a)	R YW7Z 13404 AA	.4	176.50
	L YW7Z 13405 AA	.4	176.50
3 Bulb, Strobel			
Police Model	R/L 6W7Z 13466 A	#2	95.93
<i>(a) Included w/Combination Lamp Assy</i>			
4 Harness, Comb Lamp			
Base, LX, LX Sport Model			
2 Bulb Lamp	03-04 R/L YW7Z 13410 BA	42.42	
	05-06 R/L 5W7Z 13410 BA	39.45	
	07 R/L 7W7Z 13410 AA	38.30	
	R/L F8AZ 13410 AA	51.75	
	R/L YW7Z 13410 BB	133.37	
4 Bulb Lamp			
Police Model			
5 Bulb, Lamp (a)			
Signal/Stop/Tail	03-04 R/L F4CZ 13466 A	#2	1.92
	05-07 R/L 6E5Z 13466 AB	#2	2.46
Side Marker	R/L C2AZ 13466 C	#2	.69
<i>(a) As Required</i>			
<i>#R&amp;R One Side Complete</i>			

## BACK-UP LAMP

Refinish Reflector Lamp	1.0
R&I Reflector Lamp	#3
<i>#Included in R&amp;R Luggage Lid</i>	

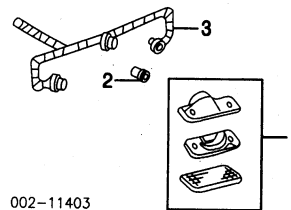


002-11402

## 1 Lamp, Reflector/Back-Up

Base, LX Model			
Arizona Beige (Code AC)	3W7Z 13A565 BBQ	#3	341.00
Aspen Green (Code P5)	03 YW7Z 13A565 BBD	#3	222.18
Black (Code UA)	3W7Z 13A565 BBM	#3	290.02
Blue Pearl (Code DX)	3W7Z 13A565 BBF	#3	320.95
Chestnut (Code B4)	03 3W7Z 13A565 BBH	#3	280.57
Gold Ash (Code C2)	03 3W7Z 13A565 BBG	#3	309.68
Ice Blue (Code LS)	YW7Z 13A565 BBK	#3	268.15
Matador Red (Code DT)	03 3W7Z 13A565 BBJ	#3	311.42
Midnight Gray (Code TV)	04-05 3W7Z 13A565 BBP	#3	289.55
School Bus Yellow (Code BY)	YW7Z 13A565 BBB	#3	221.92
Silver Birch (Code JP)	3W7Z 13A565 BBL	#3	336.00
Silver Frost (Code TS)	03 3W7Z 13A565 BAA	#3	399.77
Spruce Green (Code FS)	3W7Z 13A565 BBK	#3	290.02
Toreador Red (Code JL)	04-05 3W7Z 13A565 BBR	#3	341.00
Vibrant White (Code WT)	03-04 3W7Z 13A565 BBN	#3	290.02
Paint to Match	06-07 6W7Z 13A565 BA	#3	315.75
LX Sport Model			
Black (Code UA)	3W7Z 13A565 DAD	#3	379.87
Blue Pearl (Code DX)	03 3W7Z 13A565 AAF	#3	303.55
Matador Red (Code DT)	03 1W7Z 13A565 AAB	#3	409.78
Midnight Gray (Code TV)	04-05 3W7Z 13A565 DAC	#3	411.73
Silver Birch (Code JP)	3W7Z 13A565 DAB	#3	411.73
Toreador Red (Code JL)	04-05 3W7Z 13A565 DAA	#3	379.48
Police Model			
w/Street Appearance Pkg			
Arizona Beige (Code AC)	3W7Z 13A565 BBQ	#3	341.00
Aspen Green (Code P5)	03 YW7Z 13A565 BBD	#3	222.18
Black (Code UA)	3W7Z 13A565 BBM	#3	290.02
Blue Pearl (Code DX)	3W7Z 13A565 BBF	#3	320.95
Chestnut (Code B4)	03 3W7Z 13A565 BBH	#3	280.57
Gold Ash (Code C2)	03 3W7Z 13A565 BBG	#3	309.68
Ice Blue (Code LS)	YW7Z 13A565 BBK	#3	268.15
Matador Red (Code DT)	03 3W7Z 13A565 BBJ	#3	311.42
Midnight Gray (Code TV)	04-05 3W7Z 13A565 BBP	#3	289.55
Silver Birch (Code JP)	3W7Z 13A565 BBL	#3	336.00
Silver Frost (Code TS)	03 3W7Z 13A565 BAA	#3	399.77
Spruce Green (Code FS)	3W7Z 13A565 BBK	#3	290.02
Toreador Red (Code JL)	04-05 3W7Z 13A565 BBR	#3	341.00
Vibrant White (Code WT)	3W7Z 13A565 BBN	#3	290.02
Paint to Match	06-07 6W7Z 13A565 DA	#3	491.78
w/Street Appearance Pkg			
w/Chrome Mldg	YW7Z 13A565 CA	#3	239.15
w/o Chrome Mldg	3W7Z 13A565 AA	#3	349.47
<i>(a) Order by Application</i>			
<i>#Included in R&amp;R Luggage Lid</i>			
2 Bulb, Back-Up Lamp	R/L C2AZ 13466 C	.2	.69
3 Harness, Wiring	03-04 F8AZ 13412 AA		92.53
	05-07 5W7Z 13412 AA		20.98

## LICENSE LAMP



002-11403

1 Lamp, License	F8AZ 13550 AA	#2	10.42
2 Bulb, License Lamp	C7SZ 13466 B	#2	1.03
<i>#R&amp;R Complete</i>			
3 Harness, Wiring-See Back-Up Lamp Section			

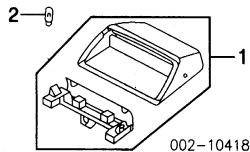
## HIGH MOUNT STOP LAMP

Refinish Stop Lamp	.3
--------------------	----

# CROWN VICTORIA/GRAND MARQUIS 1998-02

## REAR LAMPS Cont'd

### HIGH MOUNT STOP LAMP Cont'd



<b>1 Lamp, Stop</b>				
Black	6W7Z 13A613 AA	.3	28.75	
Camel	6W7Z 13A613 AAC	.3	28.73	
Charcoal	6W7Z 13A613 AAD	.3	28.73	
Flint	03 1W7Z 13A613 ABA	.3	58.87	
	04-05 6W7Z 13A613 AB	.3	30.08	
Parchment	03 F8MZ 13A613 AAA	.3	55.25	
	04-05 6W7Z 13A613 AAA	.3	30.08	
Stone	6W7Z 13A613 AAB	.3	28.73	
<b>2 Bulb, Stop Lamp (2)</b>	D7TZ 13466 A	#.2	1.69	

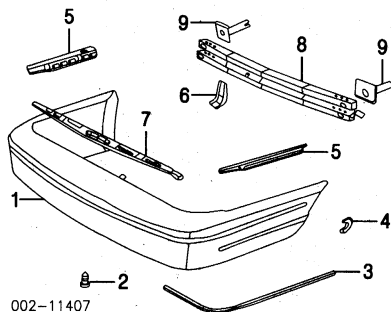
#Included in R&R Stop Lamp

## REAR BUMPER

Use Procedure Explanations 27 and 28 with the following text.

Refinish Rear Cover	2.8
Refinish Cover Moulding	.6
R&I Bumper Cover Assy	1.0
O/H Bumper Assy (Includes R&I)	2.0

NOTE: All Parts in this section are included in overhaul unless noted otherwise.



<b>1 Cover, Rear (P)</b>				
	03-05 YW7Z 17K835 CA	1.5	244.34	
	06-07 6W7Z 17K835 APTM	1.5	451.27	
<i>(P) Paint to Match</i>				
<b>Fastener Kit</b>	03-04 4W7Z 17C756 BA		39.78	
<b>2 Clip, Cover</b>	388930 S		.85	
<b>Screw, Lower</b>	N808720 S307		1.68	
<b>Rivet, Cover</b>	388442 S309		1.62	
<i>(As Required)</i>				
<b>3 Midg. Cover (Adhesive)</b>				
Base, LX Model	YW7Z 17C830 BA	.4	49.18	
LX Sport Model (a)				
Black (Code UA)	YW7Z 17C830 AA	.4	49.18	
Blue Pearl (Code DX)	3W7Z 17C830 BAB	.4	62.07	
Matador Red (Code DT)	3W7Z 17C830 BAE	.4	59.87	
Silver Birch (Code JP)	3W7Z 17C830 BAD	.4	62.07	
Silver Frost (Code TS)	1W7Z 17C830 AAD	.4	57.20	
Toreador Red (Code JL)	3W7Z 17C830 BAC	.4	52.03	
Police Model	YW7Z 17C830 AA	.4	49.18	
<i>(a) Order by Application</i>				
<b>4 Plug, Cover</b>				
Police Model				
Black	R/L 1W7Z 17F005 BAA		9.95	
White	R/L 1W7Z 17F005 AA		9.18	
<b>5 Support, Side Cover</b>	R/L F8AZ 17D995 AB-AA		28.42	
<b>6 Bracket, Lower Cover</b>	R/L 6W7Z 17D942 A		6.80	
<b>7 Support, Center Cover</b>	F8AZ 17D995 CA		31.95	
<b>8 Reinf. Bumper</b>	3W7Z 17906 AA	IOH	176.57	
<b>9 Bracket, Rear Bumper</b>	R 6W1Z 17754 A	#.2	70.72	
	L 6W1Z 17788 A	#.2	63.23	

#w/Bumper Assy Removed, Not Included in O/H

# CROWN VICTORIA/GRAND MARQUIS 1998-02

## SECTION INDEX

A/C/HEATER/VENTILATION	46
A/C REFRIGERANT CAPACITIES	46
ABS/BRAKES	47
AIR BAG SYSTEM	47
AIR CLEANER	50
BACK WINDOW	57
CENTER CONSOLE	52
CLEAR COAT IDENTIFICATION	44
COOLING	45
COWL & DASH	51
CRUISE CONTROL SYSTEM	48
ELECTRICAL	50
EMISSION SYSTEM	50
ENGINE OIL COOLER	46
ENGINE/TRANS.	50
ENGINE/TRANS MOUNTS	50
EXHAUST	50
FRAME	48
FRONT BUMPER	44
FRONT DOOR	54
FRONT FENDER	46
FRONT LAMPS	45
FRONT SEAT	53
FRONT SUSPENSION	48
FUEL TANK	58
GRILLE/FRONT PANEL	44
HOOD	45
INFORMATION LABELS	44
INSTRUMENT PANEL	52
LUGGAGE LID	57
PAINT CODE LOCATION	44
QUARTER PANEL	57
REAR BODY	58
REAR BUMPER	59
REAR DOOR	55
REAR LAMPS	58
REAR SEAT	53
REAR SUSPENSION	58
ROCKER/PILLARS/FLOOR	52
ROOF	56
SEAT BELTS	53
SPECIAL CAUTIONS	44
STEERING GEAR	49
STEERING LINKAGE	49
STEERING PUMP	49
STEERING WHEEL/COLUMN	49
UNDERHOOD DIMENSIONS	47
WHEEL	48
WINDSHIELD	51

## SPECIAL CAUTIONS

### AIR BAGS

Refer to Procedure Explanation 29 for Supplemental Restraint/Air Bag Special Cautions.

### AIR SUSPENSION

Prior to lifting the vehicle, the Air Suspension System must be disconnected by turning off the Air Suspension switch located on the left side of the luggage compartment.

## PAINT CODE LOCATION

Paint code located on left front door jamb.

## CLEAR COAT IDENTIFICATION

All colors are clear coat.

## INFORMATION LABELS

Labels must be special ordered from dealer by vehicle name, serial number and application.

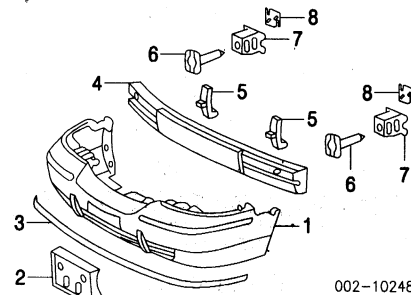
## FRONT BUMPER

Use Procedure Explanations 1 and 28 with the following text.

## CROWN VICTORIA

Refinish Front Bumper Cover	2.8
R&I Bumper Assy	1.2
R&I Bumper Cover	1.0
O/H Bumper Assy (Includes R&I)	1.6

NOTE: All Parts in this section are included in overhaul unless noted otherwise.

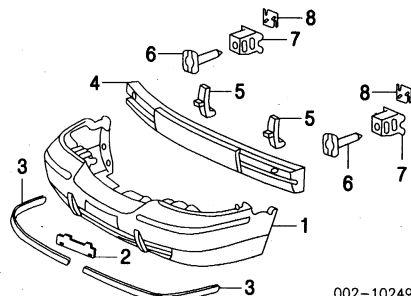


<b>1 Cover, Front (P)</b>				
	98-99 3W7Z 17D957 CA	1.4	390.73	
	00-02 3W7Z 17D957 CA	1.4	390.73	
<i>(P) Paint to Match</i>				
<b>Fastener Kit</b>	02 4W7Z 17C756 AA		42.60	
<b>2 Bracket, License</b>	6W7Z 17A385 AA	.2	30.32	
<b>3 Moulding, Cover</b>				
1998	F8AZ 17C829 AA	.4	53.43	
1999-00				
Base, LX Model	99 F8AZ 17C829 AA	.4	53.43	
	00 YW7Z 17C829 BA	.4	49.18	
Police Model	99 XW7Z 17C829 AA	.4	55.15	
	00 YW7Z 17C829 AA	.4	49.18	
2001-02				
Base Model	YW7Z 17C829 BA	.4	49.18	
LX, LX Sport Model				
w/Appearance Pkg				
Ebony (Code UA)	YW7Z 17C829 AA	.4	49.18	
Silver Frost (Code TS)	1W7Z 17C829 AAD	.4	53.43	
Toreador Red (Code FL)	1W7Z 17C829 AAA	.4	47.82	
Wedgewood Blue (Code LL)	1W7Z 17C829 AAB	.4	47.82	
w/o Appearance Pkg	YW7Z 17C829 BA	.4	49.18	
Police Model	YW7Z 17C829 AA	.4	49.18	
<b>4 Reinf. Cover</b>	YW1Z 17757 AA	1.6	186.12	
<b>5 Bracket, Reinf</b>	R/L F8AZ 17C972 AA		12.40	
	R F8AZ 17754 AA	#.2	76.33	
<b>6 Absorber, Impact</b>	L F8AZ 17755 AA	#.2	76.33	
<i>#w/Bumper Assy Removed, Not Included in O/H</i>				
<b>7 Housing, Absorber</b>	R/L F8VZ 17E796 AA	#	40.97	
<i>#Not Included in O/H</i>				
<b>8 Plate, Stud</b>	R/L 5W1Z 17E954 AA		11.27	

## GRAND MARQUIS

Refinish Front Bumper Cover	2.8
R&I Bumper Assy	1.2
R&I Bumper Cover	1.0
O/H Bumper Assy (Includes R&I)	1.6

NOTE: All Parts in this section are included in overhaul unless noted otherwise.



<b>1 Cover, Front (P)</b>				
	XW3Z 17D957 BA	1.4	350.35	
<i>(P) Paint to Match</i>				
<b>Fastener Kit</b>	00-02 4W3Z 17C756 AA		36.50	
<b>2 Bracket, License</b>	F8MZ 17A385 AA	.2	17.03	
<b>3 Moulding, Cover</b>	R/L F8MZ 17C829 AA	.4	39.45	
<b>4 Reinf. Cover</b>	YW1Z 17757 AA	1.6	186.12	
<b>5 Bracket, Reinf</b>	R/L F8AZ 17C972 AA		12.40	
	R F8AZ 17754 AA	#.2	76.33	
<b>6 Absorber, Impact</b>	L F8AZ 17755 AA	#.2	76.33	
<i>#w/Bumper Assy Removed, Not Included in O/H</i>				
<b>7 Housing, Absorber</b>	R/L F8VZ 17E796 AA	#	40.97	
<i>#Not Included in O/H</i>				
<b>8 Plate, Stud</b>	R/L 5W1Z 17E954 AA		11.27	

## GRILLE/FRONT PANEL

Use Procedure Explanations 3 and 28 with the following text.