

2004 Ford New Pickup XLT Pickup F150

SPECIAL CAUTIONS

SRS

Refer to Procedure Explanation 29 for Supplemental Restraint/Air Bag Special Cautions.

CAB & CHASSIS

Cab & Chassis vehicles are supplied incomplete to aftermarket specialty manufacturers, which may have special options not available on regular production (complete) vehicles. Extra care should be exercised when estimating these vehicles. It may be necessary to consult the OEM dealer or particular specialty manufacturer for specific information.

2004 Ford New Pickup XLT Pickup F150

PAINT CODE LOCATION

Paint code located on left lock pillar.

2004 Ford New Pickup XLT Pickup F150

CLEAR COAT IDENTIFICATION

All colors are clear coat.

2004 Ford New Pickup XLT Pickup F150

INFORMATION LABELS

Labels must be special ordered from dealer by vehicle name, serial number and application.

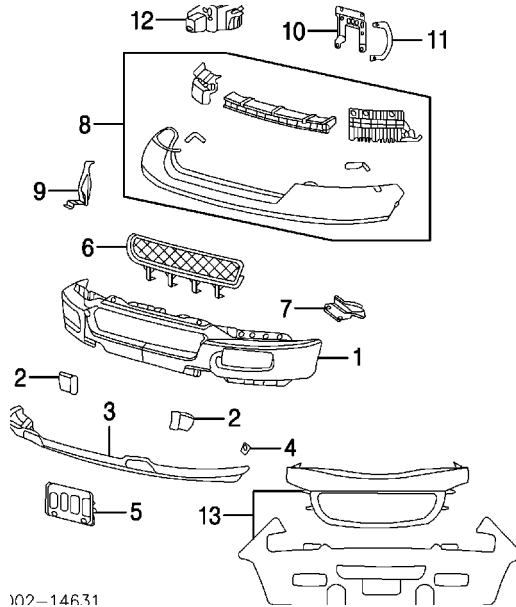
Label, Radiator Caution	5L3Z 1503050 A	\$5.50
Label, Fan Caution 4.6L, 5.4L Eng	XW4Z 8653 BA	\$4.77

2004 Ford New Pickup XLT Pickup F150

FRONT BUMPER

Procedures 1 and 28

2004-06, (TO 8-8-05)



102-14631

Refinish Face Bar	2.2
Refinish Upper Cover	2.2
R&I Upper Cover	#1.4
R&I Bumper Assy	#1.2
#Includes R&I/R&R Combination Lamp Assemblies	
R&I Front Spoiler	#.4
#w/Fog Lamps Removed	
O/H Bumper Assy (Includes R&I)	#3.2
#Includes R&I/R&R Combination Lamp Assemblies	
Add to R&I/R&R Upper Cover	
w/Wheel Opening Mldgs	.6
Add to R&R Face Bar or O/H Bumper Assy	
w/Wheel Opening Mldgs	.6
w/Fog Lamps	.3

NOTE: All Parts in this section are included in overhaul unless noted otherwise.

1Bar, Face

2004 Ford New Pickup XLT Pickup F150

Chrome					
w/Fog Lamps			3.2	4L3Z 17757 BA	\$377.00
w/o Fog Lamps			3.2	4L3Z 17757 AA	\$377.00
Paint to Match					
w/Fog Lamps			3.2	4L3Z 17757 FA	\$377.00
w/o Fog Lamps			3.2	4L3Z 17757 EA	\$604.72
2 Cover, Hole		R		5L3Z 17E810 BAA	\$11.93
		L		5L3Z 17E811 BAA	\$9.53
3 Spoiler, Front					
2WD					
	2004		#.4	4L3Z 17626 AAB	\$126.82
	2005				
To 11-29-04			#.4	4L3Z 17626 AAB	\$126.82
From 11-30-04			#.4	5L3Z 17626 CAA	\$102.17
	2006				
To 8-8-05			#.4	5L3Z 17626 CAA	\$102.17
4WD					
	2004		#.4	4L3Z 17626 BAB	\$112.32
	2005				
To 11-29-04			#.4	4L3Z 17626 BAB	\$112.32
From 11-30-04			#.4	5L3Z 17626 BAA	\$95.62
	2006				
To 8-8-05			#.4	5L3Z 17626 BAA	\$95.62
#w/Fog Lamps Removed					
4 Bracket, Spoiler¶				4L3Z 17C886 CB	\$14.92
¶As Required					
5 Brkt, License Plate					
	2004		.2	4L3Z 17A385 AAA	\$10.43
	2005				
To 11-29-04			.2	4L3Z 17A385 AAA	\$10.43
From 11-30-04			.2	5L3Z 17A385 AAA	\$12.47
	2006				
To 8-8-05			.2	5L3Z 17A385 AAA	\$12.47
6 Grille, Bumper			.4	5L3Z 17B968 AA	\$69.93
7 Brkt, Lower Bumper		R	#.2	4L3Z 17752 AA	\$28.98
		L	#.2	4L3Z 17753 AA	\$29.17
#w/Bumper Assy Removed, Not Included in O/H					
8 Cover, Upper					
2004 (P)					
w/Wheel Opening Mldgs			#1.4	4L3Z 17D957 DA	\$245.00
w/o Wheel Opening Mldgs			#1.4	4L3Z 17D957 CA	\$201.00
	2005				
XL Model			#1.4	5L3Z 17D957 AAA	\$343.08

2004 Ford New Pickup XLT Pickup F150

XLT, STX, FX4 Model (P)

w/Wheel Opening Mldgs #1.4 4L3Z 17D957 DA \$245.00

w/o Wheel Opening Mldgs #1.4 4L3Z 17D957 CA \$201.00

Lariat, King Ranch Model (P)

w/Wheel Opening Mldgs #1.4 4L3Z 17D957 DA \$245.00

w/o Wheel Opening Mldgs #1.4 4L3Z 17D957 CA \$201.00

2006

To 8-8-05

XL Model #1.4 5L3Z 17D957 AAA \$343.08

XLT, STX, FX4 Model (P)

w/Wheel Opening Mldgs #1.4 4L3Z 17D957 DA \$245.00

w/o Wheel Opening Mldgs #1.4 4L3Z 17D957 CA \$201.00

Lariat, King Ranch Model (P)

w/Wheel Opening Mldgs #1.4 4L3Z 17D957 DA \$245.00

w/o Wheel Opening Mldgs #1.4 4L3Z 17D957 CA \$201.00

(P) Paint to Match

#Includes R&I/R&R Combination Lamp Assemblies

9 Brkt, Inner Bumper R 4L3Z 17B982 AB \$33.87

L 4L3Z 17B983 AB \$33.87

10 Plate, Bumper Mtg R 4L3Z 17B984 AA \$41.32

L 4L3Z 17B985 AA \$41.32

11 Brkt, Outer Bumper R 4L3Z 17754 AA \$14.13

L 4L3Z 17755 AA \$13.00

12 Repair Kit, Frame Rail-See Frame Section

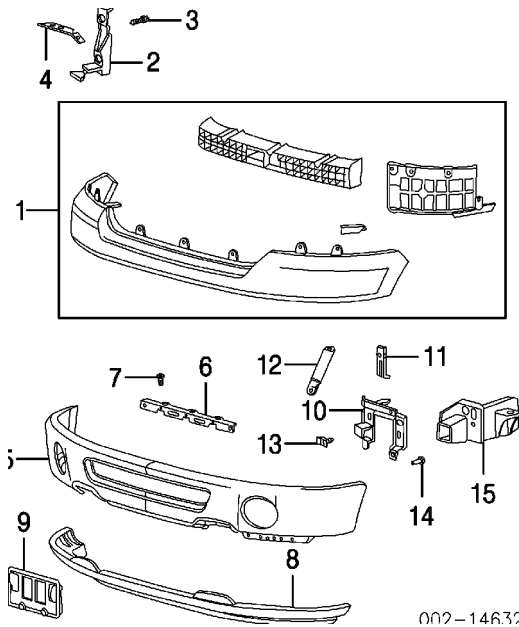
13 Bra Kit, Front

Dealer Installed # 4L3Z 19A414 AA \$152.53

#Not Included in O/H

2006-08, (FROM 8-9-05)

2004 Ford New Pickup XLT Pickup F150



Refinish Face Bar	2.2
Refinish Upper Cover	2.2
R&I Upper Cover	#1.4
R&I Bumper Assy	#1.2

#Includes R&I/R&R Combination Lamp Assemblies

R&I Front Spoiler	#.4
#w/Fog Lamps Removed	
O/H Bumper Assy (Includes R&I)	#3.2

#Includes R&I/R&R Combination Lamp Assemblies

Add to R&I/R&R Upper Cover	
w/Wheel Opening Mldgs	.6
Add to R&R Face Bar or O/H Bumper Assy	
w/Wheel Opening Mldgs	.6
w/Fog Lamps	.3

NOTE: All Parts in this section are included in overhaul unless noted otherwise.

1 Cover, Upper			
XL Model	#1.4	6L3Z 17D957 CAA	\$344.68
XLT, Lariat Model (P)			
w/Wheel Opening Mldgs	#1.4	6L3Z 17D957	\$496.58

2004 Ford New Pickup XLT Pickup F150

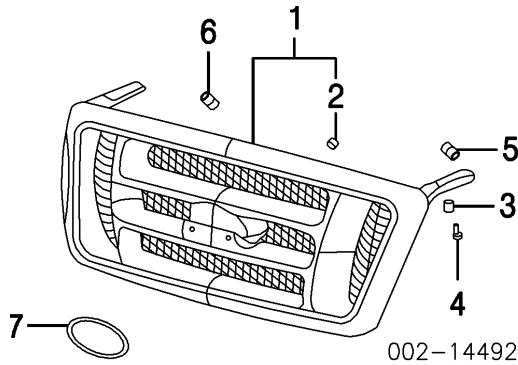
w/o Wheel Opening Mldgs	#1.4	6L3Z 17D957 AAPT	\$414.27
FX2 Model (P)			
w/Wheel Opening Mldgs	07 #1.4	6L3Z 17D957	\$496.58
w/o Wheel Opening Mldgs	07 #1.4	6L3Z 17D957 AAPT	\$414.27
STX, FX4 Model (P)			
w/Wheel Opening Mldgs	#1.4	6L3Z 17D957	\$496.58
w/o Wheel Opening Mldgs	#1.4	6L3Z 17D957 AAPT	\$414.27
Harley-Davidson, King Ranch Model (P)			
w/Wheel Opening Mldgs	#1.4	6L3Z 17D957	\$496.58
w/o Wheel Opening Mldgs	#1.4	6L3Z 17D957 AAPT	\$414.27
Limited Model (P)	08 #1.4	6L3Z 17D957	\$496.58
(P) Paint to Match			
#Includes R&I/R&R Combination Lamp Assemblies			
2 Brkt, Upper Cover	R	4L3Z 17B982 AB	\$33.87
	L	4L3Z 17B983 AB	\$33.87
3 Bolt, Upper Cover (2/Side)	R	* W701835 S307	\$3.25
	L	* W701835 S307	\$3.25
4 Support, Cover	R	4L3Z 17C972 AA	\$10.20
	L	4L3Z 17C973 AA	\$10.20
5 Bar, Face			
Chrome			
w/Fog Lamps	3.2	6L3Z 17757 BA	\$390.49
w/o Fog Lamps	3.2	6L3Z 17757 AA	\$365.05
Paint to Match			
w/Fog Lamps	3.2	6L3Z 17757 DAPT	\$348.85
w/o Fog Lamps	3.2	6L3Z 17757 CAPT	\$319.27
6 Support, Face Bar		6L3Z 17C947 BA	\$9.75
7 Bolt, Support (a)		* N811847 S102	\$4.25
¶As Required			
(a) Non-Reusable Part			
8 Spoiler, Front			
w/Harley-Davidson Model (P)	#.4	6L3Z 17626 CAPT	\$481.10
w/o Harley-Davidson Model			
2006			
From 8-9-05			
2WD	#.4	6L3Z 17626 AAA	\$101.13
4WD	#.4	6L3Z 17626 BAA	\$97.82

2004 Ford New Pickup XLT Pickup F150

2007-08				
w/FX2 Model (P)	#.4	8L3Z 17626 APTM	\$375.97	
w/o FX2 Model				
2WD	#.4	6L3Z 17626 AAA	\$101.13	
4WD	#.4	6L3Z 17626 BAA	\$97.82	
(P) Paint to Match				
#w/Fog Lamps Removed				
9 Brkt, License Plate				
				2006
From 8-9-05	.2	6L3Z 17A385 AAA	\$13.58	
2007-08				
w/FX2 Model	.2	7L3Z 17A385 AA	\$41.30	
w/o FX2 Model	.2	6L3Z 17A385 AAA	\$13.58	
10 Plate, Bumper Mtg	R	6L3Z 17B984 AA	\$34.17	
	L	6L3Z 17B985 AA	\$34.50	
11 Brkt, Upper	R	6L3Z 16758 AA	\$12.75	
	L	6L3Z 16758 AA	\$12.75	
12 Brkt, Bumper Mtg	R	6L3Z 17754 AA	\$12.03	
	L	6L3Z 17755 AA	\$12.03	
13 Plate, Stud¶	R	4L3Z 17C886 CB	\$14.92	
	L	4L3Z 17C886 CB	\$14.92	
14 Bolt, Bumper Mtg¶	R	* N606689 S439	\$3.75	
	L	* N606689 S439	\$3.75	
¶As Required				
15 Repair Kit, Frame Rail-See Frame Section				

2004 Ford New Pickup XLT Pickup F150

GRILLE



Refinish Grille Assy
R&I Grille Assy

1.5
#.3

#Included in R&R Hood Panel

1 Grille Assy

	2004			
XL Model		#.3	4L3Z 8200 AA	\$319.53
XLT Model (P)		#.3	4L3Z 8200 CAPTM	\$387.98
FX4, STX Model (P)		#.3	4L3Z 8200 BAPTM	\$293.62
Lariat Model		#.3	4L3Z 8200 DA	\$312.87
	2005			
XL Model		#.3	5L3Z 8200 EA	\$361.95
XLT Model (P)		#.3	4L3Z 8200 CAPTM	\$387.98
FX4, STX Model (P)		#.3	4L3Z 8200 BAPTM	\$293.62
Lariat Model		#.3	4L3Z 8200 DA	\$312.87
King Ranch Model (P)		#.3	5L3Z 8200 FAPTM	\$496.82
	2006			
XL Model		#.3	5L3Z 8200 EA	\$361.95
XLT Model				
w/Appearance Pkg		#.3	6L3Z 8200 AA	\$405.83
w/o Appearance Pkg (P)		#.3	4L3Z 8200 CAPTM	\$387.98
FX4, STX Model (P)		#.3	4L3Z 8200 BAPTM	\$293.62
Harley-Davidson Model		#.3	6L3Z 8200 APTM	\$760.27
Lariat Model		#.3	4L3Z 8200 DA	\$312.87
King Ranch Model (P)		#.3	5L3Z 8200 FAPTM	\$496.82
	2007			
XL Model		#.3	5L3Z 8200 EA	\$361.95
XLT Model				
w/Chrome Pkg		#.3	7L3Z 8200 D	\$517.87
w/o Chrome Pkg		#.3	6L3Z 8200 AA	\$405.83
FX2 Model (P)		#.3	7L3Z 8200 CPTM	\$271.36
FX4 Model (P)				

2004 Ford New Pickup XLT Pickup F150

w/Appearance Pkg	#.3	7L3Z 8200 EPTM	\$446.38
w/o Appearance Pkg	#.3	4L3Z 8200 BAPTM	\$293.62
STX Model (P)	#.3	4L3Z 8200 BAPTM	\$293.62
Lariat Model			
w/Chrome Pkg	#.3	7L3Z 8200 BA	\$368.57
w/o Chrome Pkg	#.3	4L3Z 8200 DA	\$312.87
King Ranch Model (P)	#.3	5L3Z 8200 FAPTM	\$496.82
Harley-Davidson Model (P)	#.3	6L3Z 8200 APTM	\$760.27

2008

XL Model	#.3	5L3Z 8200 EA	\$361.95
XLT Model			
w/Chrome Pkg	#.3	7L3Z 8200 D	\$517.87
w/o Chrome Pkg	#.3	6L3Z 8200 AA	\$405.83
FX2 Model (P)	#.3	7L3Z 8200 CPTM	\$271.36
FX4 Model (P)			
w/Appearance Pkg	#.3	7L3Z 8200 EPTM	\$446.38
w/o Appearance Pkg	#.3	4L3Z 8200 BAPTM	\$293.62
STX Model (P)	#.3	4L3Z 8200 BAPTM	\$293.62
Lariat Model			
w/Chrome Pkg	#.3	7L3Z 8200 BA	\$368.57
w/o Chrome Pkg	#.3	4L3Z 8200 DA	\$312.87
King Ranch Model (P)	#.3	5L3Z 8200 FAPTM	\$496.82
Harley-Davidson Model (P)	#.3	6L3Z 8200 APTM	\$760.27
Limited Model	#.3	7L3Z 8200 BA	\$368.57
(P) Paint to Match			

#Included in R&R Hood Panel

2 Nut, Inner Grille (2)¶		* W706675 S439	\$2.13
¶Included w/Grille Assy			
3 Bumper, Grille	R	4L3Z 16758 AC	\$7.23
	L	4L3Z 16758 AC	\$7.23
4 Bolt, Mtg (2/Side)	R	* W705549 S424	\$1.50
	L	* W705549 S424	\$1.50
5 Nut, Mtg (2/Side)	R	* W520802 S426	\$1.20
	L	* W520802 S426	\$1.20
6 Nut, Attaching (2/Side)	R	* W623482 S439	\$1.50
	L	* W623482 S439	\$1.50
7 Emblem, Grille			
XL, XLT, FX4, STX Model	#.2	4L3Z 1542528 AB	\$47.38
FX2 Model	07-0 #.2	4L3Z 1542528 AB	\$47.38
King Ranch Model	05-0 #.2	4L3Z 1542528 AB	\$47.38
Lariat Model			
w/Chrome Pkg	#.2	F81Z 8213 AB	\$23.25
w/o Chrome Pkg	#.2	4L3Z 1542528 AB	\$47.38

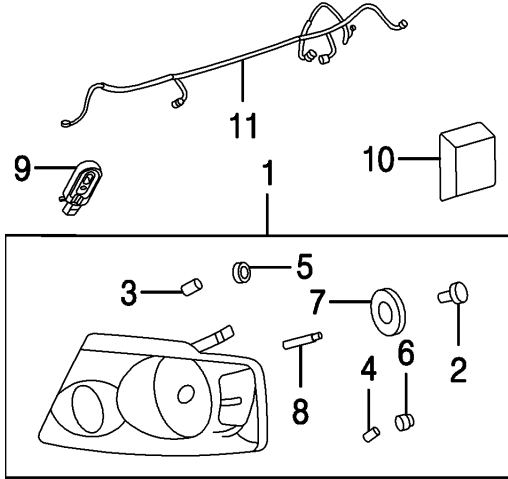
2004 Ford New Pickup XLT Pickup F150

Limited Model	08 #.2	F81Z 8213 AB	\$23.25
Harley-Davidson Model	06-0 #.2	4L3Z 1542528 AB	\$47.38

#Included in R&R Grille Assy

2004 Ford New Pickup XLT Pickup F150

FRONT LAMPS
COMBINATION LAMP



002-13735

Aim Lamps

.4

R&I Combination Lamp Assy

R

.3

L

.3

NOTE: R&R Does Not include aim lamps.

1 Lamp Assy, Combination

2004-05

R

.3 7L3Z 13008 FA

\$237.46

L

.3 7L3Z 13008 GA

\$237.46

2006

To 1-18-06

w/Chrome Trim

R

.3 7L3Z 13008 FA

\$237.46

L

.3 7L3Z 13008 GA

\$237.46

w/o Chrome Trim

R

.3 7L3Z 13008 EA

\$270.12

L

.3 7L3Z 13008 HA

\$379.93

From 1-19-06

w/Chrome Trim

R

.3 7L3Z 13008 GA

\$237.46

L

.3 7L3Z 13008 GA

\$237.46

w/o Chrome Trim

R

.3 7L3Z 13008 EA

\$270.12

L

.3 7L3Z 13008 HA

\$379.93

2007

w/Chrome Trim

R

.3 7L3Z 13008 FA

\$237.46

L

.3 7L3Z 13008 GA

\$237.46

w/o Chrome Trim

w/Shadow Gray Trim

R

.3 7L3Z 13008 CA

\$301.33

L

.3 7L3Z 13008 DA

\$313.00

w/o Shadow Gray Trim

2004 Ford New Pickup XLT Pickup F150

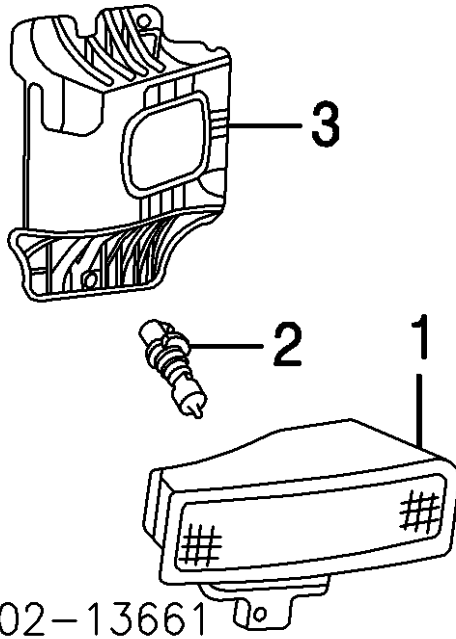
To 12-4-06	R	.3	7L3Z 13008 EA	\$270.12
	L	.3	7L3Z 13008 HA	\$379.93
From 12-5-06	R	.3	7L3Z 13008 EA	\$270.12
	L	.3	7L3Z 13008 HA	\$379.93
			2008	
w/Chrome Trim	R	.3	7L3Z 13008 FA	\$237.46
	L	.3	7L3Z 13008 GA	\$237.46
w/o Chrome Trim				
w/Shadow Gray Trim	R	.3	7L3Z 13008 CA	\$301.33
	L	.3	7L3Z 13008 DA	\$313.00
w/o Shadow Gray Trim	R	.3	7L3Z 13008 EA	\$270.12
	L	.3	7L3Z 13008 HA	\$379.93
2 Bulb, Headlamp¶	R	#.2	5C3Z 13N021 AA	\$21.20
	L	#.2	5C3Z 13N021 AA	\$21.20
3 Bulb, Park/Signal¶	R	#.2	YR3Z 13466 AD	\$5.30
	L	#.2	YR3Z 13466 AD	\$5.30
4 Bulb, Side Marker¶	R	#.2	C2AZ 13466 C	\$0.80
	L	#.2	C2AZ 13466 C	\$0.80
#R&R One Side Complete				
5 Socket, Park/Signal¶	R		2U5Z 13411 SA	\$10.67
	L		2U5Z 13411 SA	\$10.67
6 Socket, Side Marker¶	R		F81Z 13411 AA	\$13.98
	L		F81Z 13411 AA	\$13.98
7 Cover, H/Lamp Bulb¶	R		4L3Z 13N019 AA	\$5.37
	L		4L3Z 13N019 AA	\$5.37
8 Pivot, Adjusting¶	R		2L7Z 13032 AA	\$5.18
	L		2L7Z 13032 AA	\$5.18
¶Included w/Combination Lamp Assy				
9 Resistor, DRL			4L3Z 14A601 AA	\$44.77
10 Lamp Kit, Daytime Running Dealer Installed 2004-05				
w/Auto Lamps			F8AZ 13B218 AA	\$86.29
w/o Auto Lamps			F6SZ 13B218 AA	\$71.90
			2006	
To 8-8-05				
w/Auto Lamps			F8AZ 13B218 AA	\$86.29
w/o Auto Lamps			F6SZ 13B218 AA	\$71.90

11 Harness Assy, Engine Compartment-See Front Fender Section

FOG LAMP

2004-06, (TO 8-8-05)

2004 Ford New Pickup XLT Pickup F150



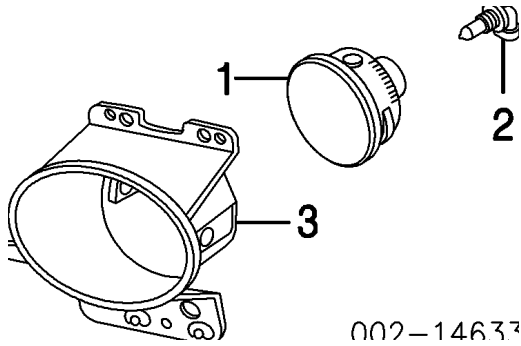
Aim Lamps
R&I Fog Lamp

					.4
	R	#.3			
	L	#.3			
#Included in R&R Face Bar or O/H Bumper Assy					
1 Lamp, Fog	R	#.3	5L3Z 15200 A	\$62.90	
	L	#.3	5L3Z 15201 A	\$59.42	
#Included in R&R Face Bar or O/H Bumper Assy					
2 Bulb, Fog Lamp	R	#.2	XL3Z 13466 AA	\$20.00	
	L	#.2	XL3Z 13466 AA	\$20.00	
3 Bracket, Fog Lamp	R	#.2	4L3Z 15266 AA	\$42.27	
	L	#.2	4L3Z 15266 BA	\$42.27	

#R&R One Side Complete, Included in R&R Face Bar or O/H Bumper Assy

FOG LAMP
2006-08, (FROM 8-9-05)

2004 Ford New Pickup XLT Pickup F150



Aim Lamps
R&I Fog Lamp

.4
R #.3
L #.3

#Included in R&R Face Bar or O/H Bumper Assy

1 Lamp, Fog	R	#.3	6L3Z 15200 AA	\$51.95
	L	#.3	6L3Z 15201 AA	\$52.63

#Included in R&R Face Bar or O/H Bumper Assy

2 Bulb, Fog Lamp	R	#.2	3C5Z 13466 AA	\$22.25
	L	#.2	3C5Z 13466 AA	\$22.25

#Included in R&I/R&R Fog Lamp

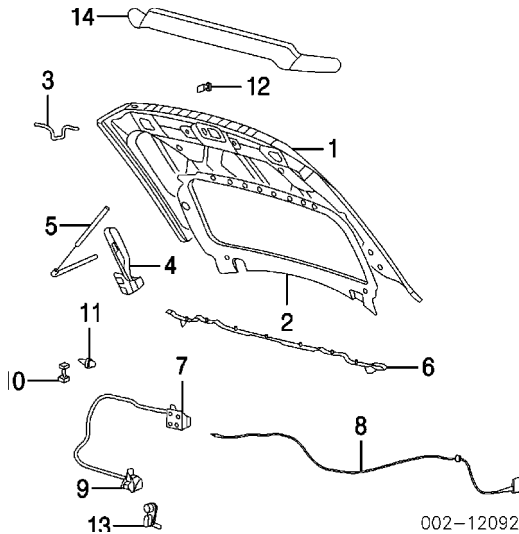
3 Bracket, Fog Lamp	R	#.3	6L3Z 15266 AA	\$27.40
	L	#.3	6L3Z 15266 BA	\$23.43

#Included in R&R Face Bar or O/H Bumper Assy, Included in R&R Fog Lamp

2004 Ford New Pickup XLT Pickup F150

HOOD

Procedures 4 and 28



Refinish Hood Outside			3.0		
Add for Underside			1.5		
Refinish Hinge	R		.5		
	L		.5		
R&I Hood Assy			.5		
R&I Hood Deflector			.2		
Add to R&R Hood Panel					
To Drill for & Install Deflector			.5		
Add to R&R Hood Panel w/Insulator			.2		
1 Hood (Alum)		1.1	4L3Z 16612 AA	\$1,035.02	
2 Insulator, Hood		.2	5L3Z 16738 AA	\$66.45	
Clip, Insulator (a)			* N808842 S	\$1.70	
(a) As Required					
3 Striker		.2	1L2Z 16K689 BA	\$17.18	
4 Hinge, Hood	R	#.3	6L3Z 16796 AA	\$46.55	
	L	#.3	6L3Z 16797 AA	\$38.25	
#w/Hood & Cowl Grille Removed					
5 Support, Hood	R	#.2	4L3Z 16C826 AA	\$21.27	
	L	#.2	4L3Z 16C826 AA	\$21.27	
#w/Hood Removed Deduct .1					
6 Weatherstrip, Hood		.2	4L3Z 16A238 AA	\$41.13	
7 Latch, Hood		.3	4L3Z 16700 AB	\$40.47	

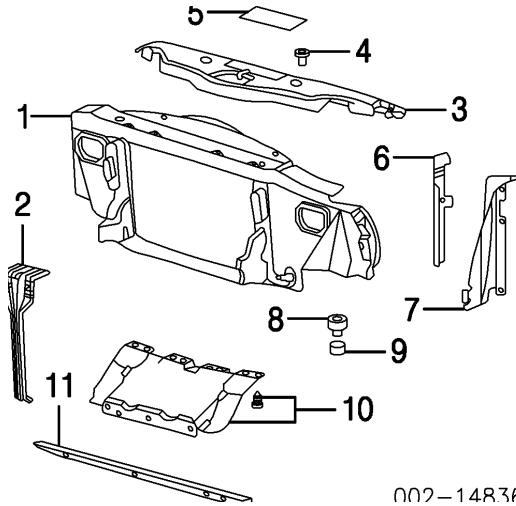
2004 Ford New Pickup XLT Pickup F150

8	Cable & Handle, Hood Release		.8	4L3Z 16916 AAA	\$26.38
	Clip, Cable			* W709413 S300	\$1.50
9	Cable, Hood		.8	6L3Z 16916 AA	\$26.08
	Bumper, Side Hood				
10	Front	R	.1	6L3Z 16758 A	\$5.67
		L	.1	6L3Z 16758 A	\$5.67
11	Rear	R	.1	4L3Z 16758 AB	\$5.53
		L	.1	4L3Z 16758 AB	\$5.53
				4L3Z 16758 BA	
12	Bumper, Upper Hood (On Hood), (2)		.1		\$5.53
13	Bumper, Lower Hood (2)		.1	4L3Z 16758 CA	\$7.17
14	Deflector, Hood				
	Dealer Installed				
	w/Chrome		.2	4L3Z 16C900 G	\$107.14
	w/o Chrome				
	Std Profile		.2	4L3Z 16C900 DA	\$78.57
	Low Profile		.2	4L3Z 16C900 DA	\$78.57

2004 Ford New Pickup XLT Pickup F150

COOLING

Procedures 5 and 28



000-14836

Refinish Radiator Support 1.5
 R&I Radiator 1.6
 Add to R&R Radiator Support

To R&R Base Model Mechanical Components #1.0

#Includes R&I/R&R Air Bag Sensor, A/C Condenser & Receiver/Drier, Power Steering Cooler, Trans Oil Cooler

To Aim Lamps .4

Evacuate & Recharge System 1.4

Recover Refrigerant .3

NOTE: Refer to Manufacturer TSB 04-25-17 for Specific Guidelines Regarding the repair or replacement of the Magnesium Radiator Support.

1 Support, Radiator (Mag)	04-0 #6.5	5L3Z 16138 BA	\$432.10
	06-0 #6.5	6L3Z 16138 AA	\$572.98

#Includes R&R Radiator, Fan Shroud, Reservoir Tank, Washer Reservoir, Horns, Hood Latch, Air Inlet Tube, Hood Bumpers, Upper Air Deflector, Air Lower Deflector, Side Air Deflector, Clips & Fasteners & D&C Hood Release Cable & Wiring/Harness as Necessary

2 Support, Latch	#.2	5L3Z 16864 AA	\$25.08
#w/Hood Latch Removed			
3 Deflector, Upper Air	.2	7L3Z 19E525 A	\$44.93
4 Clip, Deflector (7)		* W706350 S3000	\$2.00

2004 Ford New Pickup XLT Pickup F150

5 Label, Radiator Caution-See Information Labels Section

Deflector, Side Air

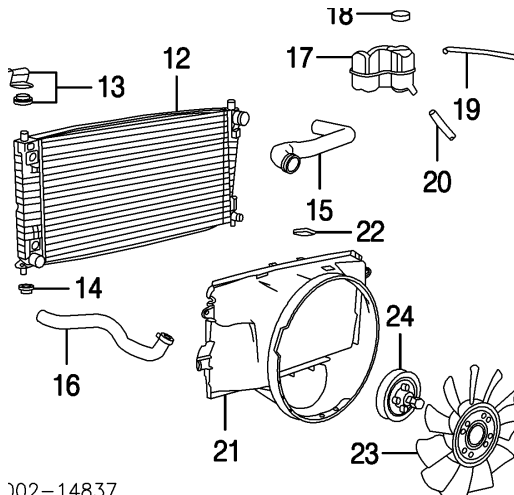
6 Inner	R	.2	4L3Z 8310 BA	\$10.62
	L	.2	4L3Z 8311 BA	\$10.62
7 Outer	R	.2	4L3Z 8310 AA	\$12.17
	L	.2	4L3Z 8311 AA	\$14.60

8 Cushion, Upr Rad Supt-See Frame Section

9 Cushion, Lwr Rad Supt-See Frame Section

10 Deflector, Radiator Air

2004-05		.2	5L3Z 8327 A	\$40.38
	2006			
To 8-8-05		.2	5L3Z 8327 A	\$40.38
From 8-9-05		.2	6L3Z 8327 A	\$23.13
2007-08		.2	6L3Z 8327 A	\$23.13
11 Deflector, Lower Air		.2	4L3Z 8349 AA	\$21.30



107-14837

12 Radiator

4.2L Eng¶	05-0	1.6	6L3Z 8005 A	\$471.62
4.6L, 5.4L Eng				
Std Duty	04	1.6	5L3Z 8005 AA	\$204.42
	05-0	1.6	6L3Z 8005 A	\$471.62
Hvy Duty		1.6	6L3Z 8005 B	\$469.45

¶Order by Application

13 Brkt, Upper Mtg

R	4L3Z 8A193 AA	\$11.30
L	4L3Z 8A193 AA	\$11.30

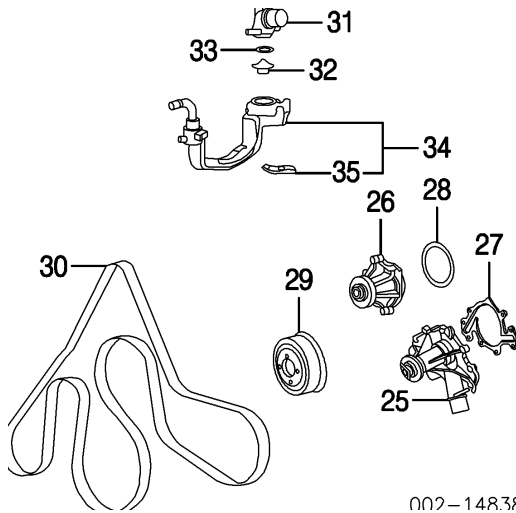
14 Bushing, Lower Mtg

R	F65Z 8124 AA	\$3.66
L	F65Z 8124 AA	\$3.66

2004 Ford New Pickup XLT Pickup F150

15	Hose, Upper Rad				
	4.2L Eng	05-0	#.6	5L3Z 8260 AD	\$54.18
	4.6L, 5.4L Eng		#.6	4L3Z 8260 DA	\$46.47
16	Hose, Lower Rad				
	4.2L Eng	05-0	#1.3	5L3Z 8286 AD	\$116.11
	4.6L, 5.4L Eng		#1.3	4L3Z 8286 BC	\$59.44
	#R&R Both 1.5				
17	Tank, Overflow	L	.5	5L3Z 8A080 AA	\$46.93
18	Cap, Tank	L		9C3Z 8101 B	\$10.88
19	Hose, Overflow	L		4L3Z 8075 AA	\$27.92
20	Hose, Tank Return	L	.3	6L1Z 8C350 A	\$38.36
21	Shroud, Fan				
	4.2L Eng	05-0	#.8	5L3Z 8146 AA	\$88.27
	4.6L, 5.4L Eng		#.8	7L3Z 8146 A	\$96.08
	#w/Radiator Removed Deduct .4				
22	Label, Fan Caution-See Information Labels Section				
23	Fan, Cooling				
	4.2L Eng	05-0	#.8	5L1Z 8600 AB	\$51.82
		07-0	#.8	N.A.	
	4.6L Eng				
		2004	#.8	F85Z 8600 AA	\$68.40
		2005			
	To 11-29-04		#.8	F85Z 8600 AA	\$68.40
	From 11-30-04		#.8	5L1Z 8600 AB	\$51.82
		2006	#.8	5L1Z 8600 AB	\$51.82
	2007-08		#.8	N.A.	
	5.4L Eng				
		2004	#.8	F85Z 8600 AA	\$68.40
		2005			
	To 11-29-04		#.8	F85Z 8600 AA	\$68.40
	From 11-30-04		#.8	5L1Z 8600 AB	\$51.82
		2006	#.8	5L1Z 8600 AB	\$51.82
	2007-08		#.8	6L2Z 8600 BA	\$62.20
24	Clutch, Fan				
	4.2L Eng				
	w/ A/C	05-0	#.8	5L3Z 8A616 AB	\$169.36
	w/o A/C	05-0	#.8	5L3Z 8A616 BB	\$162.46
	4.6L, 5.4L Eng	04-0	#.8	5L3Z 8A616 CB	\$155.54
		07-0	#.8	7L1Z 8A616 A	\$307.54
	#R&R Complete				
	Pump, Water				

2004 Ford New Pickup XLT Pickup F150



000-1483F

25	4.2L Eng	05-0	#2.2	5L3Z 8501 A	\$173.64
26	4.6L, 5.4L Eng	04-0	#2.2	3L3Z 8501 CA	\$163.98
		07-0	#2.2	7L3Z 8501 A	\$155.98
	#Includes R&R Pulley Gskt, Water Pump				
27	4.2L Eng	05-08		F65Z 8507 BA	\$17.05
28	4.6L, 5.4L Eng			F1VY 8507 A	\$5.64
29	Pulley, Water Pump				
	4.2L Eng	05-0	1.1	5L3Z 8509 AA	\$12.75
	4.6L, 5.4L Eng	04	1.1	F6TZ 8509 AA	\$16.58
		05-0	1.1	F7UZ 8509 AA	\$17.08
30	Belt, Drive				
	4.2L Eng				
	w/ A/C	05-0	.6	5L3Z 8620 BA	\$41.71
		07-0	.6	7L3Z 8620 B	\$42.18
	w/o A/C	05-0	.6	5L3Z 8620 AA	\$37.64
	4.6L, 5.4L Eng				
	w/ A/C	04	.6	4L3Z 8620 FA	\$48.31
		05-0	.6	5L3Z 8620 CA	\$50.62
		07-0	.6	7L3Z 8620 D	\$54.53
	w/o A/C	04	.6	4L3Z 8620 EA	\$33.58
		05-0	.6	5L3Z 8620 EA	\$40.27
31	Outlet, Water				
	4.2L Eng	05-0	#.8	F75Z 8592 CC	\$46.66
	4.6L Eng		#.8	F65Z 8592 BD	\$22.46
	5.4L Eng		#.8	3L3Z 8592 AA	\$55.30
32	Thermostat				
	4.2L Eng	05-0	#.8	XL3Z 8575 BA	\$24.16
	4.6L, 5.4L Eng		#.8	7L3Z 8575 B	\$15.52
33	Gskt, Thermostat				

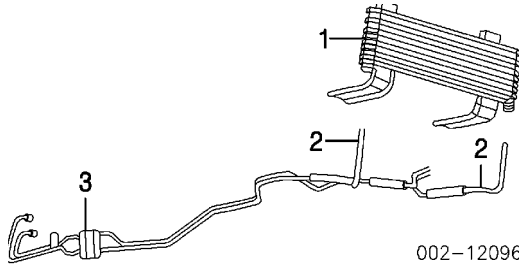
2004 Ford New Pickup XLT Pickup F150

4.2L Eng	05-0 #.8	F75Z 8255 AA	\$5.70
4.6L, 5.4L Eng	#.8	F1VY 8255 A	\$8.62
#R&R Complete			
34 Manifold Assy, Water			
5.4L Eng	1.5	3L3Z 8C368 A	\$151.50
35 Gasket, Manifold (b)			
5.4L Eng	R	3L3Z 8C387 AB	\$6.75
	L	3L3Z 8C388 AB	\$6.75

(b) Included w/Water Manifold Assy

2004 Ford New Pickup XLT Pickup F150

TRANS OIL COOLER



1 Cooler, Trans Oil					
4.2L Eng					
Hvy Duty	05-0		1.0	6L3Z 7A095 A	\$138.33
4.6L, 5.4L Eng					
Std Duty			1.0	6L3Z 7A095 A	\$138.33
Hvy Duty			1.0	6L3Z 7A095 B	\$180.83
2 Tube, Oil Cooler					
	2004	R	#1.4	4L3Z 7R081 AB	\$155.82
		L	#1.4	5L3Z 7C410 AA	\$16.13
	2005				
Right					
4.2L Eng		R	#1.4	5L3Z 7R081 AB	\$109.98
4.6L, 5.4L Eng (a)		R	#1.4	5L3Z 7R081 CB	\$120.98
		L	#1.4	5L3Z 7C410 AA	\$16.13
2006-08					
Right					
4.2L Eng		R	#1.4	7L3Z 7R081 C	\$93.48
4.6L, 5.4L Eng		R	#1.4	7L3Z 7R081 A	\$153.98
		L	#1.4	5L3Z 7C410 AB	\$21.98
(a) Add'l Parts &/or Dealer Contact Required					
#R&R Complete					
Filter, Trans Oil¶				XC3Z 7B155 BA	\$169.78
¶Order by Application					
3 Switch, Temperature				7L3Z 7H322 A	\$39.08

2004 Ford New Pickup XLT Pickup F150

A/C REFRIGERANT CAPACITIES

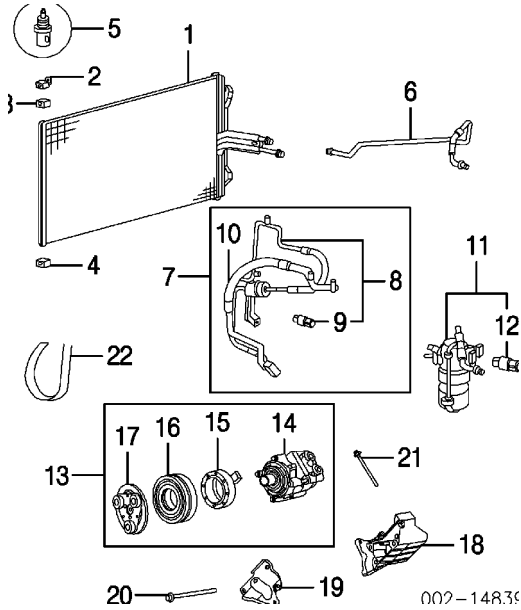
A/C R-134a Refrigerant Capacity

37.0 Ozs (2.31 Lbs), 1050 g

2004 Ford New Pickup XLT Pickup F150

A/C HEATER/VENTILATION

Procedure 6



R&I Condenser

#1.5

#w/Radiator Removed Deduct .5

Evacuate & Recharge System

1.4

Recover Refrigerant

.3

NOTE: R&R Does Not include recover, evacuate and recharge system.

1 Condenser	#1.5	7L3Z 19712 A	\$274.96
#w/Radiator Removed Deduct .5			
2 Brkt, Mounting	R	4L3Z 19702 AA	\$7.00
	L	4L3Z 19702 AA	\$7.00
3 Insulator, Upper Mtg	R	F3LY 19C566 A	\$7.88
	L	F3LY 19C566 A	\$7.88
4 Insulator, Lower Mtg	R	F65Z 19C566 AA	\$8.48
	L	F65Z 19C566 AA	\$8.48
5 Sensor, Ambient Temp	.5	AE5Z 12A647 A	\$47.02
6 Tube, Evaporator			
	2004		
To 4-12-04	1.1	4L3Z 19835 AA	\$75.82
From 4-13-04	1.1	7L3Z 19835 A	\$42.60
2005-08	1.1	7L3Z 19835 A	\$42.60
7 Hose/Tube Assy, Complete			
	2004		
	1.5	4L3Z 19D850 AA	\$241.96

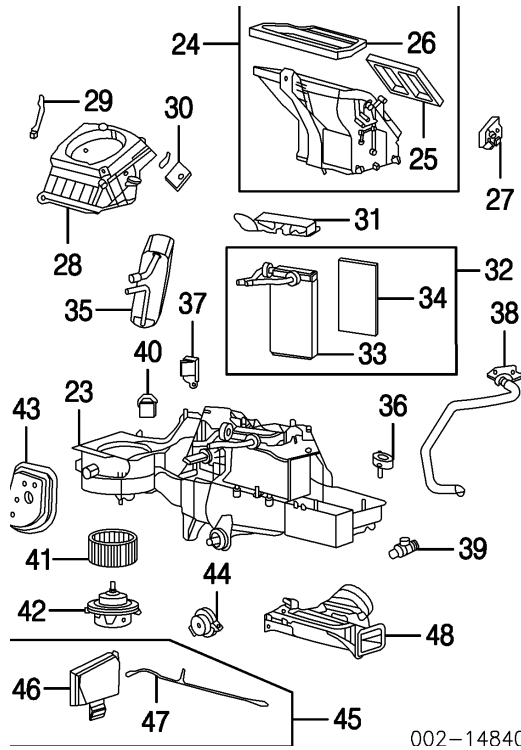
2004 Ford New Pickup XLT Pickup F150

	2005		
4.2L Eng		1.5 5L3Z 19D850 AB	\$181.48
4.6L, 5.4L Eng		1.5 4L3Z 19D850 AA	\$241.96
	2006		
4.2L Eng		1.5 6L3Z 19D850 AA	\$221.22
4.6L, 5.4L Eng		1.5 4L3Z 19D850 AA	\$241.96
2007-08-Serviced by Components			
8 Hose Assy, Pressure¶			
2004-06-Serviced w/Complete Hose/Tube Assy			
2007-08			
4.2L Eng		1.0 8L3Z 19972 A	\$132.46
4.6L, 5.4L Eng		1.0 8L3Z 19972 B	\$98.50
9 Switch, Pressure			
2004-06¶		.4 6L3Z 19D594 A	\$15.08
2007-08 (a)		.4 6F9Z 19D594 AA	\$70.98
(a) Included w/Pressure Hose Assy			
10 Hose, Low Pressure¶			
2004-06-Serviced w/Complete Hose/Tube Assy			
2007-08			
4.2L Eng		1.0 8L3Z 19867 C	\$52.60
4.6L, 5.4L Eng		1.0 8L3Z 19867 D	\$54.32
¶Included w/Complete Hose/Tube Assy			
11 Receiver/Drier Assy		.7 6L3Z 19C836 AA	\$155.54
12 Switch, Vacuum (b)		.3 F6RZ 19E561 AA	\$19.79
(b) Included w/Receiver/Drier Assy			
13 Compressor Assy			
4.2L Eng			
2005-06		2.0 4L3Z 19V703 CA	\$362.94
2007-08-Serviced by Components			
4.6L, 5.4L Eng			
2004-05		2.0 4L3Z 19V703 AA	\$388.84
2006-08-Serviced by Components			
14 Compressor (c)			
2004-06		#2.4 4L3Z 19703 AB	\$359.82

2004 Ford New Pickup XLT Pickup F150

4.2L Eng		#2.4	8L3Z 19703 A	\$449.66
4.6L, 5.4L Eng		#2.4	9L1Z 19703 A	\$380.22
	2008			
4.2L Eng		#2.4	8L3Z 19703 A	\$449.66
4.6L, 5.4L Eng				
To 11-12-07		#2.4	9L1Z 19703 A	\$380.22
From 11-13-07		#2.4	9L3Z 19703 C	\$453.10
15 Coil, Compressor (c)				
4.2L Eng		05-0 #2.4	F1OY 19D798 A	\$51.82
		07-0 #2.4	8L2Z 19D798 C	\$53.56
4.6L, 5.4L Eng				
2004-06		04-0 #2.4	4L3Z 19D798 AA	\$50.10
	2007			
To 12-4-06		#2.4	8L2Z 19D798 B	\$51.84
From 12-5-06		#2.4	8L3Z 19D798 B	\$40.70
	2008	#2.4	8L3Z 19D798 B	\$40.70
16 Pulley, Compressor (c)				
4.2L Eng		05-0 #2.4	F2OY 19D784 A	\$96.76
		07-0 #2.4	8L2Z 19D784 A	\$69.12
4.6L, 5.4L Eng		04-0 #2.4	F5VY 19D784 A	\$133.08
		07-0 #2.4	7C3Z 19D784 A	\$110.60
17 Clutch, Compressor (c)				
4.2L Eng		05-0 #2.4	6S4Z 19D786 AA	\$42.06
		07-0 #2.4	8L2Z 19D786 A	\$50.50
4.6L, 5.4L Eng		04-0 #2.4	6F1Z 19D786 AA	\$36.58
		07-0 #2.4	8L3Z 19D786 A	\$37.48
(c) Included w/Compressor Assy				
#R&R Complete				
18 Brkt, Compressor				
4.2L Eng		05-08	XL3Z 19D624 AA	\$120.80
19 Brace, Compressor				
4.2L Eng		05-08	F65Z 19D626 BA	\$12.58
20 Bolt, Bracket Mtg (3)				
4.2L Eng		05-08	* N808113 S437	\$4.68
21 Bolt, Compressor Mtg (3)				
4.2L Eng		05-08	* N806184 S437	\$3.00
4.6L, 5.4L Eng		04-06	* N811319 S309	\$3.50
		07-08	* N806184 S437	\$3.00
22 Belt, Drive-See Cooling Section				

2004 Ford New Pickup XLT Pickup F150



- 23 Case, Evaporator/Heater
w/ATC
w/Flow Thru Console
w/o Flow Thru Console
w/o ATC
w/Flow Thru Console
w/o Flow Thru Console

#2.2	6L3Z 19B555 KA	\$254.60
#2.2	6L3Z 19B555 JA	\$254.20
#2.2	6L3Z 19B555 HA	\$264.20
#2.2	6L3Z 19B555 GA	\$258.33

#w/Instrument Panel Removed

- 24 Chamber Assy, Air
w/Flow Thru Console

2004	4L3Z 18471 CA	\$123.58
2005		
To 11-29-04	4L3Z 18471 CA	\$123.58
From 11-30-04	6L3Z 18471 BA	\$122.00
2006-08	6L3Z 18471 BA	\$122.00
w/o Flow Thru Console		
2004	4L3Z 18471 BA	\$120.77
2005		
To 11-29-04	4L3Z 18471 BA	\$120.77
From 11-30-04	8L1Z 18471 A	\$111.98
2006-08	8L1Z 18471 A	\$111.98

- 25 Seal, Front (d)

2004 Ford New Pickup XLT Pickup F150

w/ATC			
	2004	4L3Z 19643 AA	\$28.83
	2005		
To 11-29-04		4L3Z 19643 AA	\$28.83
From 11-30-04-Serviced w/Air Chamber Assy			
2006-08-Serviced w/Air Chamber Assy			
w/o ATC		4L3Z 19643 AA	\$28.83
26 Seal, Upper (d)			
w/ATC			
	2004	4L3Z 19643 BA	\$23.98
	2005		
To 11-29-04		4L3Z 19643 BA	\$23.98
From 11-30-04-Serviced w/Air Chamber Assy			
2006-08-Serviced w/Air Chamber Assy			
w/o ATC		4L3Z 19643 BA	\$23.98
(d) Included w/Air Chamber Assy			
27 Actuator, Mode			
2004, (2)		.5 4L3Z 19E616 EA	\$29.33
	2005		
To 11-29-04, (2)		.5 4L3Z 19E616 EA	\$29.33
From 11-30-04		.5 5F2Z 19E616 AA	\$30.29
2006-08		.5 5F2Z 19E616 AA	\$30.29
28 Duct, Air Intake			
	2004	2L1Z 19A618 AA	\$26.98
	2005		
To 11-29-04		2L1Z 19A618 AA	\$26.98
From 11-30-04		5L3Z 19A618 AC	\$72.40
2006-08		5L3Z 19A618 AC	\$72.40
29 Bracket, Mounting		F65Z 19A804 AA	\$14.58
30 Actuator, Intake	#.4	9L3Z 19E616 F	\$25.96
31 Cover, Heater Core		4L3Z 18B299 AA	\$18.10
32 Core Assy, Heater	#2.7	2L1Z 18476 BA	\$128.71
#w/Instrument Panel Removed			
33 Core, Heater (e)-Serviced w/Heater Core Assy			
34 Seal, Heater Core (e)		2L1Z 18658 AA	\$14.58

2004 Ford New Pickup XLT Pickup F150

(e) Included w/Heater Core Assy

35	Core, Evaporator	04-0 #3.0	7L3Z 19860 B	\$155.55
		07-0 #3.0	7L3Z 19860 B	\$155.55

#w/Instrument Panel Removed

36	Actuator, Temperature		1.4 9L3Z 19E616 E	\$25.87
37	Control Unit w/ATC		.9 4L3Z 19E624 AA	\$88.67
38	Sensor, In-Car Temp w/ATC			
		2004	.5 4L3Z 19C734 AA	\$21.60
		2005		
	To 11-29-04		.5 4L3Z 19C734 AA	\$21.60
39	Venturi w/ATC		2L1Z 19E628 BA	\$11.60
40	Resistor, Fan		.7 3F2Z 18591 AA	\$22.17
41	Fan, Blower	#.8	2C3Z 19834 AA	\$27.22
42	Motor, Blower #R&R Complete	#.8	6L1Z 19805 B	\$156.11
43	Seal, Case		2L1Z 19C593 AA	\$20.70
44	Seal, Lower	04	2L1Z 19B739 AA	\$53.55
		05-08	2L1Z 19B739 BA	\$29.63
45	Reservoir Assy, Vacuum		4L3Z 19A566 AA	\$54.58
46	Reservoir, Vacuum (f)		F65Z 19A566 AA	\$26.52
47	Hose, Vacuum (f)		4L3Z 19C828 AA	\$25.73

(f) Included w/Vacuum Reservoir Assy

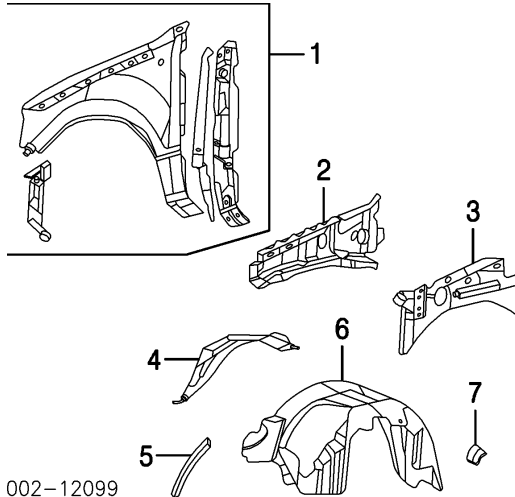
48	Duct, Outlet w/Flow Thru Console		4L3Z 18C433 CB	\$39.63
	w/o Flow Thru Console			
	Full Console		4L3Z 18C433 BB	\$31.67
	Consolette			
	2004-05		4L3Z 18C433 AB	\$34.45
		2006		
	To 8-8-05		4L3Z 18C433 AB	\$34.45
	From 8-9-05		4L3Z 18C433 AB	\$34.45
	2007-08		4L3Z 18C433 AB	\$34.45

2004 Ford New Pickup XLT Pickup F150

FRONT FENDER

Procedures 7 and 28

SHEET METAL



002-12099

Refinish Fender Outside

R 2.2

L 2.2

Add to Edge

R .5

L .5

Refinish Inner Panel

R 1.0

L 1.0

R&I Fender

R 1.3

L 1.3

Add to R&R Fender
w/Antenna

R .6

1 Fender

w/Wheel Opening Mldgs

2004-05

R #1.8 5L3Z 16005 BA \$232.90

L #1.8 5L3Z 16006 BA \$241.88

2006

To 8-8-05

R #1.8 5L3Z 16005 BA \$232.90

L #1.8 5L3Z 16006 BA \$241.88

From 8-9-05

R #1.8 6L3Z 16005 B \$373.98

L #1.8 5L3Z 16006 BA \$241.88

2007-08

R #1.8 6L3Z 16005 B \$373.98

L #1.8 5L3Z 16006 BA \$241.88

#Includes R&I/R&R Wheel Opening Moulding, Mudguard

w/o Wheel Opening Mldgs

2004-05

R #1.5 5L3Z 16005 AA \$231.35

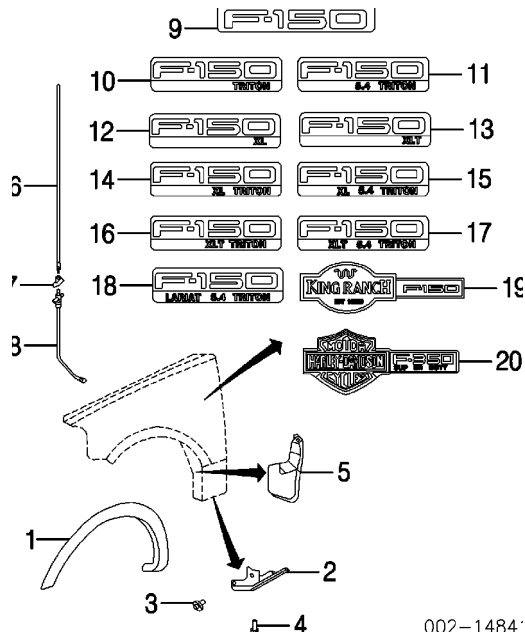
L #1.5 5L3Z 16006 AA \$232.57

2004 Ford New Pickup XLT Pickup F150

	2006				
To 8-8-05		R	#1.5	5L3Z 16005 AA	\$231.35
		L	#1.5	5L3Z 16006 AA	\$232.57
From 8-9-05		R	#1.5	6L3Z 16005 A	\$311.65
		L	#1.5	5L3Z 16006 AA	\$232.57
2007-08		R	#1.5	6L3Z 16005 A	\$311.65
		L	#1.5	5L3Z 16006 AA	\$232.57
#Includes R&I/R&R Mudguard					
2 Reinf, Inner Fender		R	#2.5	4L3Z 16C274 AA	\$132.13
		L	#2.5	4L3Z 16C275 AA	\$128.78
#Included in R&R Inner Panel					
3 Panel, Inner		R	4.5	4L3Z 16K006 AA	\$69.17
		L	4.5	5L3Z 16K007 AA	\$60.22
4 Apron		R	2.0	2L1Z 16E205 AA	\$88.98
		L	2.0	5L3Z 16E206 AA	\$72.00
5 Seal, Lower		R		F65Z 16B127 AA	\$10.58
		L		F65Z 16B127 AA	\$10.58
6 Liner, Fender					
2004-05		R	.4	8L3Z 16102 A	\$68.92
		L	.4	8L3Z 16103 A	\$50.77
	2006				
To 8-8-05		R	.4	8L3Z 16102 A	\$68.92
		L	.4	8L3Z 16103 A	\$50.77
From 8-9-05		R	.4	8L3Z 16102 A	\$68.92
		L	.4	8L3Z 16103 A	\$50.77
	2007				
		R	.4	8L3Z 16102 A	\$68.92
		L	.4	8L3Z 16103 A	\$50.77
	2008				
To 10-30-07		R	.4	8L3Z 16102 A	\$68.92
		L	.4	8L3Z 16103 A	\$50.77
From 10-31-07		R	.4	8L3Z 16102 A	\$68.92
		L	.4	8L3Z 16103 A	\$50.77
7 Reinf, Lower		R		4L3Z 16072 AA	\$11.02
		L		4L3Z 16072 AA	\$11.02

EXTERIOR TRIM

2004 Ford New Pickup XLT Pickup F150



Refinish Wheel Opening Moulding	R	1.0		
	L	1.0		
R&I Wheel Opening Moulding	R	.3		
	L	.3		
R&I Mudguard	R	.2		
	L	.2		
R&R Mudguard	R	.2		
	L	.2		
R&I Antenna Base	R	#1.0		
#Includes R&I/R&R Right Fender Liner & Antenna Mast				
1 Moulding, Wheel Opening				
FX4 Model	R	.3	4L3Z 16038 BAA	\$87.05
	L	.3	4L3Z 16039 BAA	\$87.05
Lariat Model (P)	R	.3	4L3Z 16038 CAPTM	\$118.72
	L	.3	4L3Z 16039 CAPTM	\$117.63
King Ranch Model (P)	05-0 R	.3	4L3Z 16038 CAPTM	\$118.72
	L	.3	4L3Z 16039 CAPTM	\$117.63
Limited Model (P)	08 R	.3	4L3Z 16038 CAPTM	\$118.72
	L	.3	4L3Z 16039 CAPTM	\$117.63
(P) Paint to Match				
2 Shield, Stone				
Arizona Beige	04-0 R	.1	4L3Z 16G554 AAA	\$11.22
	L	.1	4L3Z 16G555 AAA	\$9.35

2004 Ford New Pickup XLT Pickup F150

Black					
	2004	R	.1	4L3Z 16G554 ABA	\$9.35
		L	.1	4L3Z 16G555 ABA	\$9.35
	2005				
To 11-29-04		R	.1	4L3Z 16G554 ABA	\$9.35
		L	.1	4L3Z 16G555 ABA	\$9.35
From 11-30-04		R	.1	5L3Z 16G554 AAA	\$14.28
		L	.1	5L3Z 16G555 AAA	\$14.78
2006-08		R	.1	5L3Z 16G554 AAA	\$14.28
		L	.1	5L3Z 16G555 AAA	\$14.78
Pueblo Gold	07-0	R	.1	7L3Z 16G554 AA	\$11.62
		L	.1	7L3Z 16G555 AA	\$11.62
3 Bolt, Shield (2/Side)		R		* N808322 S301	\$11.27
		L		* N808322 S301	\$11.27
4 Clip, Shield (c)¶		R		* W705589 S	\$1.70
		L		* W705589 S	\$1.70
¶As Required					
(c) Order by Application					
Mudguard Set, Vehicle (a)					
Flareside					
w/Wheel Opening Mldgs					
2WD		#		4L3Z 16A550 EAA	\$75.00
4WD		#		4L3Z 16A550 AAA	\$75.00
w/o Wheel Opening Mldgs					
2WD		#		4L3Z 16A550 GAA	\$75.00
4WD		#		4L3Z 16A550 DAA	\$75.00
Styleside					
w/Wheel Opening Mldgs					
2WD		#		4L3Z 16A550 FAA	\$75.00
4WD		#		6L3Z 16A550 BA	\$75.00
w/o Wheel Opening Mldgs					
2WD		#		4L3Z 16A550 HAA	\$75.00
4WD		#		4L3Z 16A550 CAA	\$75.00
(a) Set of 4					
5 Mudguard Set, Front (b)		#		E7TZ 16A550 A	\$27.13
(b) Set of 2					
#See Headnotes for Labor Time					
6 Mast, Antenna					
	2004	R	.1	AC3Z 18813 A	\$26.13
	2005				
To 11-29-04		R	.1	AC3Z 18813 A	\$26.13
From 11-30-04 to 3-18-05		R	.1	4R3Z 18813 AA	\$25.17

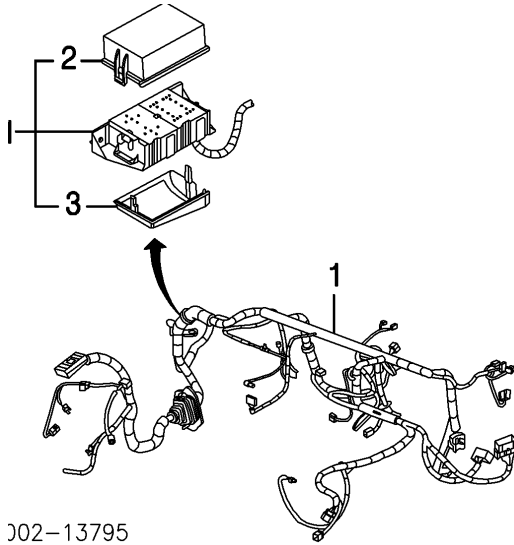
2004 Ford New Pickup XLT Pickup F150

	From 3-19-05	R	.1	AC3Z 18813 A	\$26.13
	2006-08	R	.1	AC3Z 18813 A	\$26.13
7	Cap, Antenna Base (d)				
	2004-05	R		4L3Z 18A927 AA	\$4.39
				2006	
	To 8-8-05	R		4L3Z 18A927 AA	\$4.39
	From 8-9-05	R		6L3Z 18A927 A	\$0.93
	2007-08	R		6L3Z 18A927 A	\$0.93
	(d) Non-Reusable Part				
8	Antenna, Radio				
	2004-05	R	#1.0	4L3Z 18A984 AA	\$18.17
				2006	
	To 8-8-05	R	#1.0	4L3Z 18A984 AA	\$18.17
	From 8-9-05 to 10-12-05	R	#1.0	6L3Z 18A984 A	\$15.44
	From 10-13-05	R	#1.0	6L3Z 18A984 B	\$15.44
	2007-08	R	#1.0	7L3Z 18A984 A	\$15.44
	#Includes R&I/R&R Right Fender Liner & Antenna Mast				
	Nameplate				
9	"F-150"	05-0 R	.2	5L3Z 16720 CA	\$20.00
		L	.2	5L3Z 16720 CA	\$20.00
10	"F-150 TRITON"	R	.2	5L3Z 16720 C	\$21.23
		L	.2	5L3Z 16720 C	\$21.23
11	"F-150 5.4 TRITON"	R	.2	4L3Z 16720 GA	\$22.32
		L	.2	4L3Z 16720 GA	\$22.32
12	"F-150 XL"	05-0 R	.2	5L3Z 16720 DA	\$20.00
		L	.2	5L3Z 16720 DA	\$20.00
13	"F-150 XLT"	05-0 R	.2	5L3Z 16720 EA	\$24.60
		L	.2	5L3Z 16720 EA	\$24.60
14	"F-150 XL TRITON"	R	.2	5L3Z 16720 A	\$22.32
		L	.2	5L3Z 16720 A	\$22.32
15	"F-150 XL 5.4 TRITON"	R	.2	5L3Z 16720 B	\$22.32
		L	.2	5L3Z 16720 B	\$22.32
16	"F-150 XLT TRITON"	R	.2	5L3Z 16720 D	\$20.00
		L	.2	5L3Z 16720 D	\$20.00
17	"F-150 XLT 5.4 TRITON"	R	.2	5L3Z 16720 E	\$20.28
		L	.2	5L3Z 16720 E	\$20.28
18	"F-150 LARIAT 5.4 TRITON"	R	.2	4L3Z 16720 JA	\$19.85
		L	.2	4L3Z 16720 JA	\$19.85
19	"KING RANCH F-150"	05-0 R	.2	5L3Z 1842528 AB	\$52.68
		L	.2	5L3Z 1842528 AB	\$52.68
20	"HARLEY-DAVIDSON F150"	06-0 R	.2	6L3Z 16720 AA	\$241.38
		L	.2	6L3Z 16720 AB	\$241.38

2004 Ford New Pickup XLT Pickup F150

08 R	.2 8L3Z 16720 C	\$132.67
L	.2 8L3Z 16720 D	\$132.48

ELECTRICAL COMPONENTS



002-13795

1 Harness Assy, Engine Compartment

w/DRL

w/Fog Lamps

2005¶

To 11-29-04

From 11-30-04

2006¶

To 8-8-05

From 8-9-05

2004	4L3Z 12A581 CA	\$796.32
	5L3Z 12A581 CA	\$747.33
	5L3Z 12A581 MA	\$663.33
	5L3Z 12A581 MA	\$663.33
	6L3Z 12A581 FA	\$748.33
2007	7L3Z 12A581 FA	\$584.05
2008	8L3Z 12A581 FA	\$540.30

w/o Fog Lamps

2005¶

To 11-29-04

From 11-30-04

2006¶

To 8-8-05

From 8-9-05

2004	4L3Z 12A581 JA	\$733.32
	5L3Z 12A581 GA	\$636.67
	5L3Z 12A581 PA	\$653.82
	5L3Z 12A581 PA	\$653.82
	6L3Z 12A581 CA	\$706.98
2007	7L3Z 12A581 CA	\$584.05
2008	8L3Z 12A581 CA	\$531.77

w/o DRL

w/Fog Lamps

2004 Ford New Pickup XLT Pickup F150

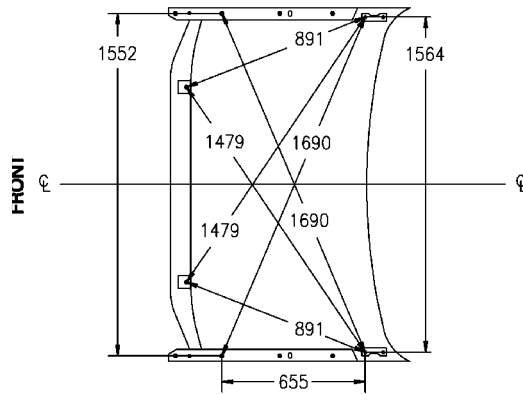
	2004	4L3Z 12A581 BA	\$872.38
2005¶			
To 11-29-04		5L3Z 12A581 AA	\$657.13
From 11-30-04		5L3Z 12A581 NA	\$648.20
2006¶			
To 8-8-05		5L3Z 12A581 NA	\$648.20
From 8-9-05		6L3Z 12A581 DA	\$540.58
2007¶		7L3Z 12A581 DA	\$584.05
2008¶		8L3Z 12A581 DA	\$463.42
w/o Fog Lamps			
	2004	4L3Z 12A581 HA	\$815.32
2005¶			
To 11-29-04		5L3Z 12A581 GA	\$636.67
From 11-30-04		5L3Z 12A581 RA	\$622.55
2006¶			
To 8-8-05		5L3Z 12A581 RA	\$622.55
From 8-9-05		6L3Z 12A581 AA	\$592.33
2007¶		7L3Z 12A581 AA	\$584.05
2008¶		8L3Z 12A581 AA	\$475.60
¶Order by Application			
2 Cover, Upper Relay (a)		F57Z 14A003 AA	\$13.98
3 Cover, Lower Relay (a)		F8VZ 14A003 DB	\$17.78

(a) Included w/Engine Compartment Harness Assy

2004 Ford New Pickup XLT Pickup F150

UNDERHOOD DIMENSIONS

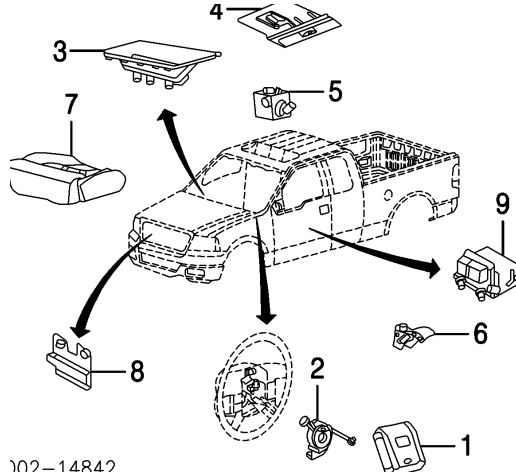
061-20068



2004 Ford New Pickup XLT Pickup F150

AIR BAG SYSTEM

Procedure 30



Disable & Enable Air Bag System

1.0

Diagnose Air Bag System (If Required)

#1.5

#Includes Install Simulators, Connect Scan Tool and Retrieve/Clear Trouble Codes

NOTE 1: R&R Does Not include disable and enable or diagnose Air Bag System.

NOTE 2: Refer to Procedural Explanation 30 for Supplemental Restraint/Air Bag System Component Inspection and Replacement Information.

NOTE 3: For Air Bag System Service procedures, refer to Manufacturer's Service Repair Manual or Mitchell's Air Bag Service and Repair Manual.

1	Module, Driver Air Bag			
	2004-06			
	Black	.4	7L3Z 15043B13 CC	\$683.56
	Flint	.4	7L3Z 15043B13 CA	\$683.56
	Pebble	.4	7L3Z 15043B13 CB	\$683.56
	2007-08	.4	7L3Z 15043B13 CC	\$683.56
2	Clockspring	1.1	8L3Z 14A664 A	\$59.11
3	Module, Passenger Air Bag			
	Black	.8	6L3Z 15044A74 DC	\$697.23
	Flint	.8	6L3Z 15044A74 DA	\$697.23
	Pebble	.8	6L3Z 15044A74 CB	\$697.23
4	Indicator, Pass Air Bag			
		04-06	4L3Z 10A936 AAA	\$13.32
		07-08	7L3Z 10A936 AA	\$17.22
5	Switch, Deactivation	.4	4L3Z 14B268 AA	\$176.80

2004 Ford New Pickup XLT Pickup F150

6 Sensor, Seat Position				
Man Seat	L	#.4	7F2Z 14B416 AA	\$34.03
Pwr Seat	L	#.4	6L3Z 14B416 AA	\$38.04
#w/Front Seat Removed				
7 Cushion, Seat				
2004-05				
Heated Seat	R	#.6	4L3Z 15632A22 BA	\$897.22
Non-Heated Seat	R	#.6	5L3Z 15632A22 A	\$1,573.97
2006				
To 8-8-05				
Heated Seat	R	#.6	4L3Z 15632A22 BA	\$897.22
Non-Heated Seat	R	#.6	5L3Z 15632A22 A	\$1,573.97
From 8-9-05				
Heated Seat	R	#.6	6L3Z 15632A22 B	\$1,184.32
Non-Heated Seat	R	#.6	8L3Z 15632A22 C	\$1,586.28
2007				
Cloth Seat		#.6	8L3Z 15632A22 D	\$1,586.28
Vinyl Seat	R	#.6	8L3Z 15632A22 C	\$1,586.28
Leather Seat				
Heated		#.6	7L3Z 15632A22 H	
Non-Heated		#.6	8L3Z 15632A22 D	\$1,586.28
2008				
Cloth Seat		#.6	8L3Z 15632A22 D	\$1,586.28
Vinyl Seat		#.6	8L3Z 15632A22 C	\$1,586.28
Leather Seat				
Heated		#.6	8L3Z 15632A22 K	\$1,184.32
Non-Heated		#.6	8L3Z 15632A22 D	\$1,586.28
#w/Seat Assy Removed				
Sensor, Occupant Detector-Serviced w/Seat Cushion				
8 Sensor, Front Impact			.5 6L3Z 14B004 AA	\$54.52
9 Module, Restraint Control				
2004				
Regular Cab		#.5	4L3Z 14B321 B	\$199.64
Extended Cab, Crew Cab		#.5	5L3Z 14B321 AA	\$215.30
2005				
Regular Cab		#.5	5L3Z 14B321 DA	\$215.30
Extended Cab, Crew Cab		#.5	5L3Z 14B321 AA	\$215.30
2006				
To 8-8-05				
Regular Cab		#.5	5L3Z 14B321 DA	\$215.30
Extended Cab, Crew Cab		#.5	5L3Z 14B321 AA	\$215.30

2004 Ford New Pickup XLT Pickup F150

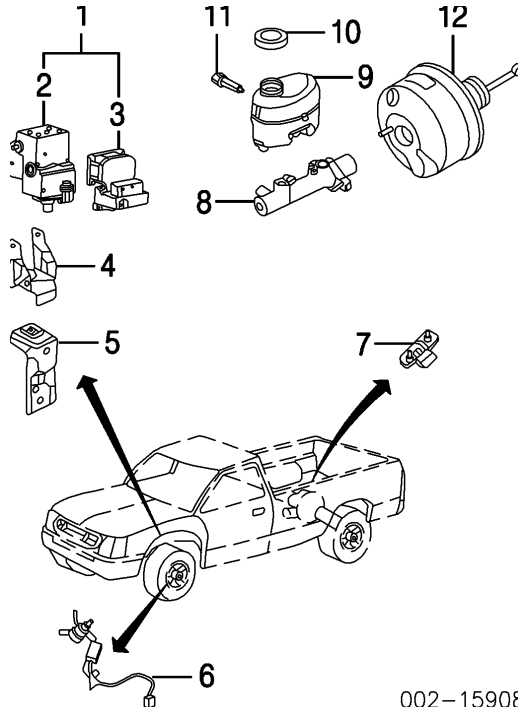
From 8-9-05	#.5	6L3Z 14B321 B	\$215.30
2007-08	#.5	6L3Z 14B321 B	\$215.30

#w/Center Console Removed

Pretensioner, Seat Belt-See Seat Belts Section

2004 Ford New Pickup XLT Pickup F150

ABS/BRAKES



002-1590E

Bleed Brake System

.6

NOTE: R&R Does Not include bleed system.

1 Module Assy, ABS					
	2004				
2WD		#.8	4L3Z 2C065 AA	\$1,197.17	
4WD		#.8	4L3Z 2C065 BA	\$1,177.32	
	2005				
To 11-29-04					
2WD		#.8	4L3Z 2C065 AA	\$1,197.17	
4WD		#.8	4L3Z 2C065 BA	\$1,177.32	
From 11-30-04		#.8	6L3Z 2C065 AA	\$1,179.00	
	2006	#.8	6L3Z 2C065 AA	\$1,179.00	
	2007	#.8	7L3Z 2C065 AA	\$1,114.55	
	2008-2009				
2008-2009-Serviced by Components					
2 Module, ABS¶					
	2004-07				
2004-07-Serviced w/ABS Module Assy					
	2008	#.8	8L3Z 2C346 A	\$698.33	
3 Control Unit, ABS¶					
	2004				

2004 Ford New Pickup XLT Pickup F150

2WD			#.8	6L3Z 2C219 A	\$514.40
4WD			#.8	6L3Z 2B373 BA	\$514.40
		2005			
2WD			#.8	6L3Z 2C219 A	\$514.40
4WD					
To 11-29-04			#.8	6L3Z 2B373 BA	\$514.40
From 11-30-04			#.8	5L3Z 2B373 CA	\$570.76
		2006			
2WD			#.8	6L3Z 2C219 A	\$514.40
4WD					
To 8-8-05			#.8	5L3Z 2B373 CA	\$570.76
From 8-9-05			#.8	6L3Z 2B373 BA	\$514.40
2007-08			#.8	8L3Z 2C219 A	\$423.51
¶Included w/ABS Module Assy					
#R&R Complete					
4 Brkt, Upper Module					
		2004		4L3Z 2C214 AA	\$40.83
		2005			
To 11-29-04				4L3Z 2C214 AA	\$40.83
From 11-30-04				5L3Z 2C214 AA	\$41.73
		2006			
2007-08				5L3Z 2C214 AA	\$41.73
				7L3Z 2C214 A	\$32.80
5 Brkt, Lower Module			04-06	4L3Z 2C325 BA	\$34.45
			07-08	7L3Z 2C325 A	\$33.65
6 Sensor, Front ABS					
2WD					
		2004	R #.6	4L3Z 2C204 AE	\$56.42
			L #.6	4L3Z 2C204 AE	\$56.42
		2005			
To 10-4-04			R #.6	4L3Z 2C204 AE	\$56.42
			L #.6	4L3Z 2C204 AE	\$56.42
From 10-5-04			R #.6	5L3Z 2C204 AD	\$57.58
			L #.6	5L3Z 2C204 AD	\$57.58
		2006			
			R #.6	5L3Z 2C204 AD	\$57.58
			L #.6	5L3Z 2C204 AD	\$57.58
2007-08			R #.6	7L3Z 2C204 A	\$56.98
			L #.6	7L3Z 2C204 A	\$56.98
4WD					
		2004	R #.6	4L3Z 2C204 AB	\$143.90
			L #.6	4L3Z 2C204 AB	\$143.90
		2005			
To 2-28-05			R #.6	4L3Z 2C204 AB	\$143.90
			L #.6	4L3Z 2C204 AB	\$143.90
From 3-1-05			R #.6	7L3Z 2C204 AA	\$177.82
			L #.6	7L3Z 2C204 AA	\$177.82

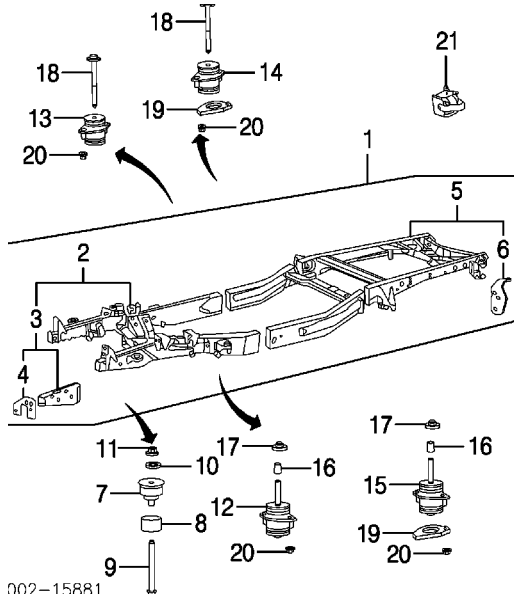
2004 Ford New Pickup XLT Pickup F150

2006-08	R	#.6	7L3Z 2C204 AA	\$177.82
	L	#.6	7L3Z 2C204 AA	\$177.82
#R&R Both Sides 1.0				
7			.9 6L3Z 9E731 A	\$80.33
8		#.9	7L3Z 2140 A	\$161.47
#Includes R&R Reservoir				
9			.4 4L3Z 2L210 AA	\$41.51
10			E9SZ 2162 A	\$9.33
11			F7DZ 2C251 AB	\$31.07
12		#1.5	8L3Z 2005 B	\$298.67
#Includes R&R Brake Master Cylinder				

2004 Ford New Pickup XLT Pickup F150

FRAME

Procedure 9



002-15881

R&I Trailer Hitch	.8
Add to R&R Frame	
4.6L Eng	
w/Auto Trans	2.4
w/5.4L Eng	1.4
w/4 Wheel ABS	.3
w/ A/C	1.4
w/Pwr Strg Cooler	#.2
#Includes R&I/R&R Power Steering Oil Cooler	
Add to R&R Frame w/Skid Plate	#.4
#Includes R&I/R&R Skid Plate	
Add to R&R Frame w/Trans Oil Cooler	#.2
#Includes R&I/R&R Trans Oil Cooler	
Add to R&R Frame w/Trailer Hitch	#.8
#Includes R&I Trailer Hitch	
1 Frame Assy (f)	
Regular Cab	
2WD	

2004 Ford New Pickup XLT Pickup F150

126" WB				
	2004	28.0	6L3Z 5005 AF	\$3,428.13
2005¶		28.0	6L3Z 5005 AF	\$3,428.13
	2006	28.0	6L3Z 5005 Q	\$2,845.75
2007-08		28.0	8L3Z 5005 EAAC	\$2,957.92
145" WB				
	2004	28.0	6L3Z 5005 C	\$2,341.42
2005¶		28.0	6L3Z 5005 C	\$2,341.42
	2006	28.0	6L3Z 5005 R	\$3,057.28
2007-08		28.0	8L3Z 5005 EADC	\$3,072.83
4WD				
126" WB				
	2004	30.0	6L3Z 5005 H	\$2,575.57
2005¶		30.0	6L3Z 5005 H	\$2,575.57
	2006	30.0	6L3Z 5005 H	\$2,575.57
2007-08		30.0	8L3Z 5005 CAAC	\$3,568.18
145" WB				
	2004	30.0	6L3Z 5005 L	\$2,833.12
2005¶		30.0	6L3Z 5005 L	\$2,833.12
	2006	30.0	6L3Z 5005 L	\$2,833.12
2007-08		30.0	8L3Z 5005 CADC	\$3,712.82
Extended Cab				
2WD				
133" WB				
	2004	28.5	6L3Z 5005 B	\$3,973.63
2005¶		28.5	6L3Z 5005 B	\$3,973.63
	2006	28.5	6L3Z 5005 B	\$3,973.63
2007-08		28.5	8L3Z 5005 AABB	\$4,955.20
145" WB				
	2004	28.5	6L3Z 5005 D	\$2,341.42
2005¶		28.5	6L3Z 5005 D	\$2,341.42
	2006	28.5	6L3Z 5005 E	\$2,735.72
2007-08		28.5	8L3Z 5005 AAEC	\$4,470.72
163" WB				
	2004	28.5	6L3Z 5005 E	\$2,735.72
2005¶		28.5	6L3Z 5005 E	\$2,735.72
	2006	28.5	6L3Z 5005 F	\$2,341.42
2007-08		28.5	8L3Z 5005 AAFC	\$4,227.23
4WD				
133" WB				
	2004	30.5	6L3Z 5005 J	\$4,060.32
2005¶		30.5	6L3Z 5005 J	\$4,060.32
	2006	30.5	6L3Z 5005 J	\$4,060.32
2007-08		30.5	8L3Z 5005 CABC	\$4,727.70
145" WB				
	2004	30.5	6L3Z 5005 M	\$2,341.42

2004 Ford New Pickup XLT Pickup F150

2005-06¶		30.5	6L3Z 5005 M	\$2,341.42
2007-08		30.5	8L3Z 5005 CAEC	\$5,592.18
163" WB				
	2004	30.5	6L3Z 5005 N	\$4,373.35
2005¶		30.5	5L3Z 5005 CT	\$2,315.60
	2006	30.5	6L3Z 5005 N	\$4,373.35
2007-08		30.5	8L3Z 5005 CAFC	\$4,274.38
Crew Cab				
2WD				
139" WB				
	2004	29.0	6L3Z 5005 AY	\$3,405.43
2005¶		29.0	6L3Z 5005 AY	\$3,405.43
	2006	29.0	6L3Z 5005 G	\$2,341.42
2007-08		29.0	8L3Z 5005 ABCC	\$4,356.97
150" WB¶				
	2006	29.0	6L3Z 5005 F	\$2,341.42
2007-08		29.0	8L3Z 5005 ABHC	\$4,238.52
4WD				
139" WB				
	2004	31.5	6L3Z 5005 K	\$2,341.42
2005-06¶		31.5	6L3Z 5005 K	\$2,341.42
2007-08		31.5	8L3Z 5005 CACC	\$4,407.40
150" WB				
	2006	31.5	6L3Z 5005 P	\$2,341.42
2007-08		31.5	8L3Z 5005 CAHC	\$4,950.38

¶Order by Application

2 Replacement Kit, Front Frame (a) (f)

2WD	#12.0	8L3Z 5019 A	\$3,318.77
4WD	#12.0	8L3Z 5019 B	\$3,241.48

(f) Add'l Parts &/or Dealer Contact Required

#w/Front Sheet Metal, Engine/Trans Assy, Front Suspension, Steering Gear & Necessary Bolted Parts & Assemblies Removed

3 Repair Kit, Frame Rail (a) (b)

2004-05				
Base Payload Pkg	R	5.0	6L3Z 5D058 AA	\$452.57
	L	5.0	6L3Z 5D059 A	\$422.70
Upgrade Payload Pkg	R	5.0	6L3Z 5D058 BA	\$452.70
	L	5.0	6L3Z 5D059 B	\$495.77
	2006			
To 12-5-05				
Base Payload Pkg	R	5.0	6L3Z 5D058 AA	\$452.57

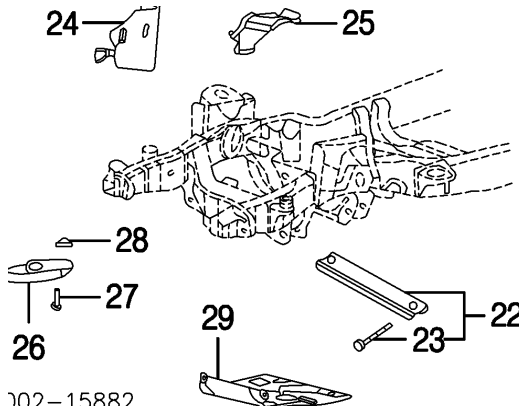
2004 Ford New Pickup XLT Pickup F150

	L	5.0	6L3Z 5D059 A	\$422.70
Upgrade Payload Pkg	R	5.0	6L3Z 5D058 BA	\$452.70
	L	5.0	6L3Z 5D059 B	\$495.77
From 12-6-05				
Base Payload Pkg	R	5.0	6L3Z 5D058 AA	\$452.57
	L	5.0	6L3Z 5D059 A	\$422.70
Upgrade Payload Pkg	R	5.0	6L3Z 5D058 BA	\$452.70
	L	5.0	6L3Z 5D059 B	\$495.77
2007-08				
Base Payload Pkg	R	5.0	6L3Z 5D058 AA	\$452.57
	L	5.0	6L3Z 5D059 A	\$422.70
Upgrade Payload Pkg	R	5.0	6L3Z 5D058 BA	\$452.70
	L	5.0	6L3Z 5D059 B	\$495.77
Left				
			2006	
4 Rail Kit, Frame (a) (b) (c)	R	1.5	6L3Z 5D058 EA	\$52.43
	L	1.5	6L3Z 5D059 EA	\$52.43
(b) Included w/Front Frame Replacement Kit				
(c) Included w/Frame Rail Repair Kit				
5 Replacement Kit, Rear Frame (a) (f)		#12.5	8L3Z 17N775 A	\$3,318.60
(f) Add'l Parts &/or Dealer Contact Required				
#w/Bed Assy, Rear Suspension, Bumper, Fuel Tank & Necessary Bolted Parts & Assemblies Removed				
6 Brkt, Inner Bumper (a) (d)				
2004-05	R	#1.5	4L3Z 17787 AB	\$43.07
	L	#1.5	4L3Z 17788 AB	\$40.95
			2006	
To 8-8-05	R	#1.5	4L3Z 17787 AB	\$43.07
	L	#1.5	4L3Z 17788 AB	\$40.95
From 8-9-05	R	#1.5	6L3Z 17788 A	\$99.82
	L	#1.5	6L3Z 17788 B	\$102.53
2007-08	R	#1.5	6L3Z 17788 A	\$99.82
	L	#1.5	6L3Z 17788 B	\$102.53
(a) Included w/Frame Assy				
(d) Included w/Rear Frame Replacement Kit				
#w/Bumper Removed				
Inhibitor Kit, Rust (g)			PM 24 A	\$22.00
Undercoating Kit, Repair (g)			PM 25 A	\$20.00

2004 Ford New Pickup XLT Pickup F150

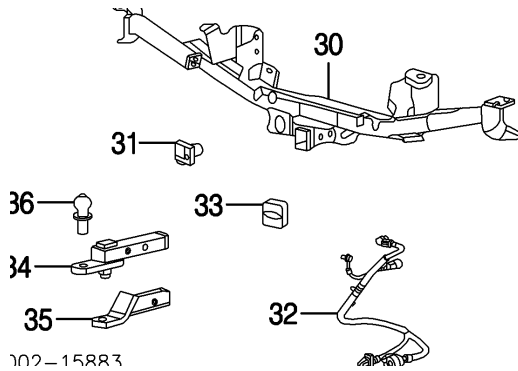
(g) As Required			
7	Cushion, Upr Rad Supt	R	4L3Z 1000154 AA \$20.92
		L	4L3Z 1000154 AA \$20.92
8	Cushion, Lwr Rad Supt	R	4L3Z 1000155 AA \$10.88
		L	4L3Z 1000155 AA \$10.88
9	Bolt, Rad Supt (e)	R	* W710521 S439 \$13.50
		L	* W710521 S439 \$13.50
(e) Non-Reusable Part			
10	Washer, Radiator Mount (2/Side)	R	* W711074 S300 \$8.00
		L	* W711074 S300 \$8.00
11	Nut, Lock (e)	R	* N621946 S441 \$7.00
		L	* N621946 S441 \$7.00
(e) Non-Reusable Part			
Mount, Body			
12	No. 2	R	7L3Z 1000154 AA \$50.83
		L	7L3Z 1000154 AA \$50.83
13	No. 3		
	Extended Cab, Crew Cab	R	6L3Z 1000154 A \$43.80
		L	6L3Z 1000154 A \$43.80
	No. 4		
14	Right	R	7L3Z 1000154 CA \$42.77
15		L	7L3Z 1000154 BA \$43.40
16	Pin, Locator		
	No. 2	R	4L3Z 5K373 AA \$3.62
		L	4L3Z 5K373 AA \$3.62
	No. 4	L	4L3Z 5K373 AA \$3.62
17	Nut, Lock (e)		
	No. 2	R	* W708731 S441 \$16.00
		L	* W708731 S441 \$16.00
	No. 4	L	* W708731 S441 \$16.00
18	Bolt, Mount (e)		
	No. 3	R	* W708866 S439 \$12.00
		L	* W708866 S439 \$12.00
	No. 4	R	* W710336 S439 \$14.00
(e) Non-Reusable Part			
19	Plate, Mounting		
	No. 4	R	4L3Z 5R084 AA \$6.30
		L	4L3Z 5R084 AA \$6.30
20	Nut, Mounting (e) (g)	R	* W710798 S440 \$8.00
		L	* W710798 S440 \$8.00
(e) Non-Reusable Part			
(g) As Required			
21	Damper, Frame¶		4L3Z 5D008 AA \$650.32
¶Order by Application			

2004 Ford New Pickup XLT Pickup F150



22 Crossmember Assy		4L3Z 5025 AA	\$202.78
23 Bolt, Mtg (2/Side) (h)	R	* W705049 S439	\$27.00
	L	* W705049 S439	\$27.00
Nut, Bolt (2/Side) (h)	R	* W520114 S427	\$2.00
	L	* W520114 S427	\$2.00
(h) Included w/Crossmember Assy			
24 Shield, Splash		4L3Z 5C143 AA	\$19.48
25 Shield, Heat		4L3Z 6N634 AA	\$20.15
26 Hook, Tow			
2004-05	R	4L3Z 17A954 AA	\$37.15
	L	4L3Z 17A954 AA	\$37.15
		2006	
To 8-8-05	R	4L3Z 17A954 AA	\$37.15
	L	4L3Z 17A954 AA	\$37.15
From 8-9-05	R	6L3Z 17A954 AA	\$31.55
	L	6L3Z 17A954 AA	\$31.55
2007-08	R	6L3Z 17A954 AA	\$31.55
	L	6L3Z 17A954 AA	\$31.55
27 Bolt, Hook (2/Side)	R	* N605937 S426	\$0.50
	L	* N605937 S426	\$0.50
28 Nut, Mounting (2/Side)			
2004-05	R	* W706973 S441	\$18.00
	L	* W706973 S441	\$18.00
		2006	
To 12-5-05	R	* W706973 S441	\$18.00
	L	* W706973 S441	\$18.00
From 12-6-05	R	* W712330 S441	\$5.75
	L	* W712330 S441	\$5.75
2007-08	R	* W712330 S441	\$5.75
	L	* W712330 S441	\$5.75
29 Plate, Skid	.4	4L3Z 5D032 AA	\$199.65

2004 Ford New Pickup XLT Pickup F150



107-15883

30 Hitch/Reinforcement

Factory Installed

Styleside

2004-05

w/Towing Pkg

1.0 4L3Z 17D826 BB \$514.33

w/o Towing Pkg

1.0 4L3Z 17D826 AA \$297.40

2006

To 8-8-05

w/Towing Pkg

1.0 4L3Z 17D826 BB \$514.33

w/o Towing Pkg

1.0 4L3Z 17D826 AA \$297.40

From 8-9-05

w/Towing Pkg

1.0 7L3Z 17D826 B \$333.47

w/o Towing Pkg

1.0 7L3Z 17D826 A \$329.42

2007

w/Towing Pkg

1.0 7L3Z 17D826 B \$333.47

w/o Towing Pkg

1.0 7L3Z 17D826 A \$329.42

2008

w/Towing Pkg

Base Payload Pkg

1.0 8L3Z 17D826 A \$333.47

Upgrade Payload Pkg

1.0 8L3Z 17D826 C \$331.82

w/o Towing Pkg

1.0 7L3Z 17D826 A \$329.42

Flareside

2004-05

w/Towing Pkg

1.0 4L3Z 17D826 DA \$477.67

w/o Towing Pkg

1.0 4L3Z 17D826 CA \$345.53

2006

To 8-8-05

w/Towing Pkg

1.0 4L3Z 17D826 DA \$477.67

w/o Towing Pkg

1.0 4L3Z 17D826 CA \$345.53

From 8-9-05

w/Towing Pkg

1.0 7L3Z 17D826 D \$395.95

w/o Towing Pkg

1.0 7L3Z 17D826 C \$369.72

2007

w/Towing Pkg

1.0 7L3Z 17D826 D \$395.95

2004 Ford New Pickup XLT Pickup F150

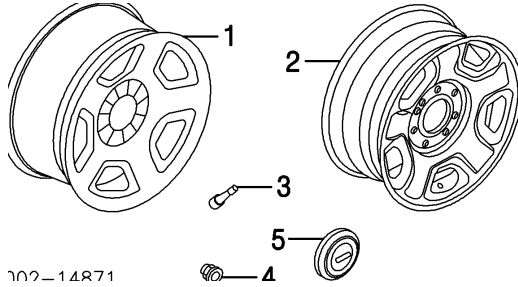
w/o Towing Pkg		1.0 7L3Z 17D826 C	\$369.72
	2008		
w/Towing Pkg		1.0 9L3Z 17D826 F	\$377.78
w/o Towing Pkg		1.0 7L3Z 17D826 C	\$369.72
Dealer Installed			
Class III			
2004-05			
Styleside		1.0 4L3Z 19D520 BA	\$540.39
Flareside		1.0 4L3Z 19D520 AA	\$540.39
	2006		
To 8-8-05			
Styleside		1.0 4L3Z 19D520 BA	\$540.39
Flareside		1.0 4L3Z 19D520 AA	\$540.39
From 8-9-05		1.0 8L3Z 19D520 A	\$295.36
2007-08		1.0 8L3Z 19D520 A	\$295.36
31 Connector, Wiring		XL3Z 14489 BA	\$35.67
32 Harness, Trailer	04	4L3Z 13A576 DA	\$86.43
	05-08	5L3Z 13A576 BA	\$79.55
33 Cap, Hitch		1L2Z 17F000 CA	\$12.41
Bar, Hitch Draw			
34 w/Swivel Head Receiver	04-06	2L3Z 19A282 AA	\$137.16
35 w/o Swivel Head Receiver		F5TZ 19A282 D	\$32.07
36 Ball, Hitch			
1-7/8" Dia		F5TZ 19F503 D	\$12.41
2" Dia		F5TZ 19F503 E	\$16.57

2004 Ford New Pickup XLT Pickup F150

WHEEL

Procedure 10

STEEL WHEEL



102-14871

Refinish Wheel

.5

Add to R&I Spare Wheel & Tire Assy

.2

Wheel, Steel (17x7-1/2")

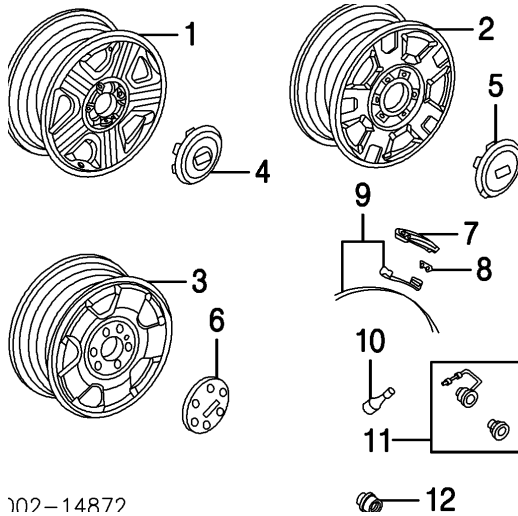
1	w/Chrome		.3	7L3Z 1015 E	\$335.15
2	w/o Chrome				
	6 Lug Holes	04-0	.3	9L3Z 1007 K	\$212.13
		07-0	.3	9L3Z 1007 K	\$212.13
	7 Lug Holes	04-0	.3	4L3Z 1015 AA	\$168.02
		08	.3	7L3Z 1015 A	\$222.40
3	Stem, Valve			F42Z 1700 A	\$2.62
4	Nut, Lug			2L1Z 1012 AA	\$3.36
5	Cap, Center				
	w/Chrome Wheels	04		4L1Z 1130 BA	\$47.03
		05-08		5L3Z 1130 S	\$37.97
	w/o Chrome Wheels				
	6 Lug Wheels			4L3Z 1130 EA	\$27.05
	7 Lug Wheels			4L3Z 1130 FA	\$29.98

ALLOY WHEEL

FACTORY INSTALLED

17" WHEELS

2004 Ford New Pickup XLT Pickup F150



102-14872

Refinish Cap

.2

Add to R&I Spare Wheel & Tire Assy

.2

NOTE: Wheel Replacement Requires Replacement of Sensor Installation Kit.

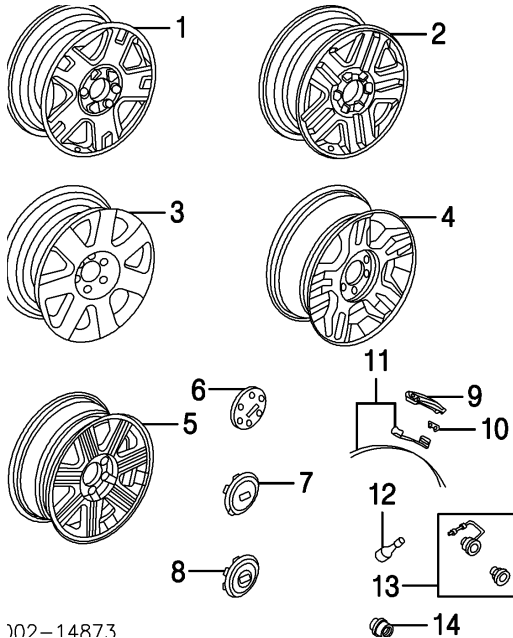
Wheel, Alloy (17x7-1/2")

1	Type 1				
	Argent	05-0	.3	4L3Z 1007 AB	\$198.63
		07-0	.3	7L3Z 1007 F	\$449.73
	Sparkle Silver	04-0	.3	4L3Z 1007 AA	\$390.93
		08	.3	8L3Z 1007 B	\$480.80
2	Type 2				
	Polished				
		2004			
	To 11-24-03		.3	4L3Z 1007 EC	\$391.67
	Sparkle Silver	04	.3	4L3Z 1007 FA	\$372.95
3	Type 3				
		2004	.3	4L3Z 1007 GB	\$424.22
		2005			
	To 11-29-04		.3	4L3Z 1007 GB	\$424.22
	From 11-30-04		.3	5L3Z 1007 GA	\$420.72
		2006	.3	5L3Z 1007 GA	\$420.72
	2007-08		.3	7L3Z 1007 D	\$388.03
	Cap, Center				
4	Type 1				
	Chrome	05-08		4L3Z 1130 AB	\$21.43
	Sparkle Silver	04-05		4L3Z 1130 AA	\$28.98
5	Type 2				
	Chrome	04		4L3Z 1130 GA	\$44.15
	Argent	04		4L3Z 1130 BA	\$32.48

2004 Ford New Pickup XLT Pickup F150

6	Type 3		7L3Z 1130 B	\$61.43
7	Sensor, Tire Pressure			
		2007	6F2Z 1A189 A	\$108.92
		2008		
	Base Payload Pkg		6F2Z 1A189 A	\$108.92
	Upgrade Payload Pkg		8C2Z 1A189 A	\$108.92
8	Clip, Sensor¶	07-08	6L2Z 14C202 B	\$3.08
	¶As Required			
9	Installation Kit, Sensor (a)	07-08	6F2Z 1A193 D	\$55.24
	(a) Non-Reusable Part			
10	Stem, Valve		F42Z 1700 A	\$2.62
11	Nut Kit, Locking Lug		2L1Z 1A043 AA	\$54.76
12	Nut, Lug		2L1Z 1012 AA	\$3.36

ALLOY WHEEL
FACTORY INSTALLED
18" WHEELS



107-14873

Refinish Cap .2

Add to R&I Spare Wheel & Tire Assy .2

NOTE: Wheel Replacement Requires Replacement of Sensor Installation Kit.

Wheel, Alloy (18x7-1/2")

1	Type 1			
		2004	.3 4L3Z 1007 CA	\$458.37
		2005		
	To 12-16-04		.3 4L3Z 1007 CA	\$458.37

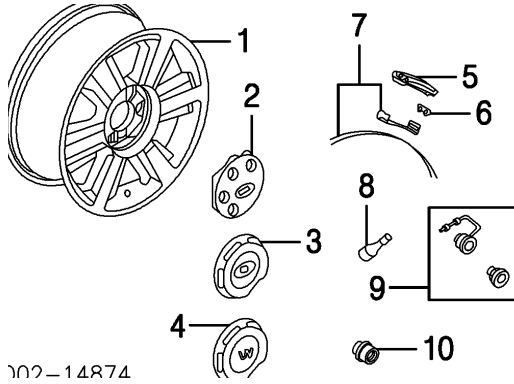
2004 Ford New Pickup XLT Pickup F150

From 12-17-04		.3	5L3Z 1007 DA	\$450.23
	2006	.3	5L3Z 1007 DA	\$450.23
2007-08		.3	7L3Z 1007 C	\$448.67
2 Type 2				
Chrome	06	.3	5L3Z 1007 HA	\$581.46
	07-0	.3	7L3Z 1007 J	\$619.27
Polished	04	.3	4L3Z 1007 DA	\$437.80
	05-0	.3	7L3Z 1007 A	\$461.22
	07-0	.3	7L3Z 1007 A	\$461.22
3 Type 3				
King Ranch Model	05-0	.3	5L3Z 1007 AA	\$531.58
	07-0	.3	7L3Z 1007 B	\$3,158.48
4 Type 4	07-0	.3	7L3Z 1007 K	\$624.23
5 Type 5	07-0	.3	7L3Z 1007 E	\$472.45
Cap, Center				
6 Type 1				
Chrome	07-08		6L3Z 1130 D	\$41.17
Polished			7L3Z 1130 B	\$61.43
Cast	07-08		7L3Z 1130 A	\$51.55
7 Type 2				
	2004		4L3Z 1130 DD	\$46.32
	2005		5L3Z 1130 BA	\$47.55
	2006			
To 8-8-05			5L3Z 1130 BA	\$47.55
From 8-8-05				
Chrome			4L3Z 1130 JA	\$21.43
Polished			6L3Z 1130 D	\$41.17
2007-08				
Chrome			4L3Z 1130 JA	\$21.43
Polished			6L3Z 1130 D	\$41.17
8 Type 3				
King Ranch Model	05-08		5L3Z 1130 AB	\$57.80
9 Sensor, Tire Pressure				
	2007		6F2Z 1A189 A	\$108.92
	2008			
Base Payload Pkg			6F2Z 1A189 A	\$108.92
Upgrade Payload Pkg			8C2Z 1A189 A	\$108.92
10 Clip, Sensor¶	07-08		6L2Z 14C202 B	\$3.08
¶As Required				
11 Installation Kit, Sensor (a)	07-08		6F2Z 1A193 E	\$55.24
(a) Non-Reusable Part				
12 Stem, Valve			F42Z 1700 A	\$2.62
13 Nut Kit, Locking Lug			2L1Z 1A043 AA	\$54.76
14 Nut, Lug			2L1Z 1012 AA	\$3.36

ALLOY WHEEL

2004 Ford New Pickup XLT Pickup F150

**FACTORY INSTALLED
20" WHEELS**



Add to R&I Spare Wheel & Tire Assy

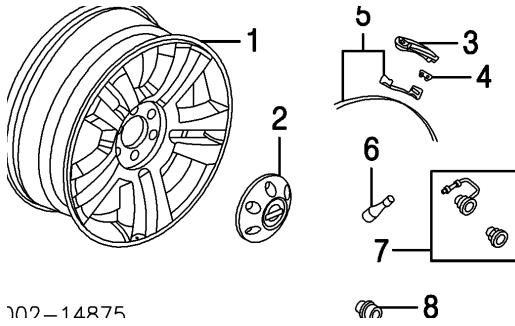
.2

NOTE: Wheel Replacement Requires Replacement of Sensor Installation Kit.

1	Wheel, Alloy (20x8-1/2") Cap, Center	06-0	.3	6L3Z 1007 M	\$639.30
2	FX4 Off-Road Model	06-08		7L3Z 1130 B	\$61.43
3	Lariat Model	06-08		6L3Z 1130 BA	\$36.90
4	King Ranch Model	06-08		6L3Z 1130 CA	\$46.20
5	Sensor, Tire Pressure				
		2007		6F2Z 1A189 A	\$108.92
		2008			
	Base Payload Pkg			6F2Z 1A189 A	\$108.92
	Upgrade Payload Pkg			8C2Z 1A189 A	\$108.92
6	Clip, Sensor¶ ¶As Required	07-08		6L2Z 14C202 B	\$3.08
7	Installation Kit, Sensor (a) (a) Non-Reusable Part	07-08		6F2Z 1A193 G	\$55.24
8	Stem, Valve			F42Z 1700 A	\$2.62
9	Nut Kit, Locking Lug			2L1Z 1A043 AA	\$54.76
10	Nut, Lug			2L1Z 1012 AA	\$3.36

**ALLOY WHEEL
FACTORY INSTALLED
22" WHEELS**

2004 Ford New Pickup XLT Pickup F150



002-14875

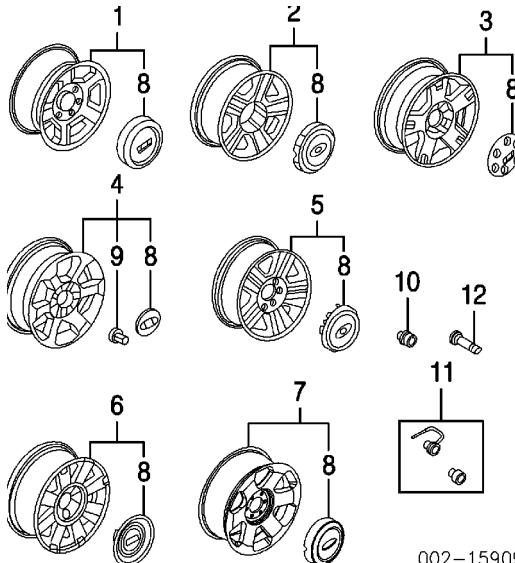
Add to R&I Spare Wheel & Tire Assy

.2

NOTE: Wheel Replacement Requires Replacement of Sensor Installation Kit.

1 Wheel, Alloy (22x9") Harley-Davidson Model	06	.3	6L3Z 1007 BA	\$1,155.67
	07	.3	7L3Z 1007 H	\$1,118.30
2 Cap, Center	06-07		6L3Z 1130 AA	\$49.03
3 Sensor, Tire Pressure			6F2Z 1A189 A	\$108.92
4 Clip, Sensor†† ††As Required	07		6L2Z 14C202 B	\$3.08
5 Installation Kit, Sensor (a) (a) Non-Reusable Part	07		6F2Z 1A193 J	\$55.24
6 Stem, Valve			F42Z 1700 A	\$2.62
7 Nut Kit, Locking Lug			6L3Z 1A043 AA	\$44.03
8 Nut, Lug			6L3Z 1120 BA	\$12.57

ALLOY WHEEL
DEALER INSTALLED



002-15909

2004 Ford New Pickup XLT Pickup F150

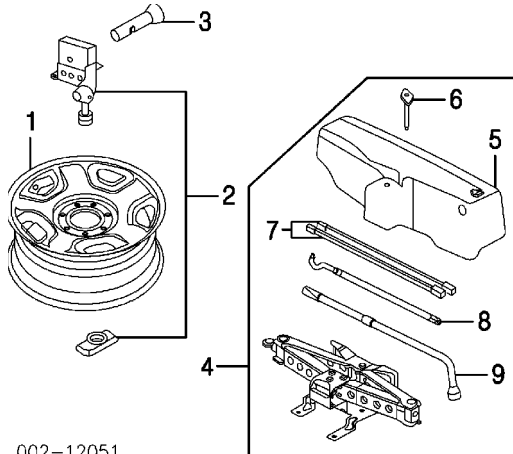
Add to R&I Spare Wheel & Tire Assy .2

NOTE: Wheel Replacement Requires Replacement of Sensor Installation Kit.

Wheel Kit, Alloy			
17x7-1/2"			
1	Chrome	.3 4L3Z 1007 KA	\$45.67
2	Machined	.3 4L3Z 1007 AAA	\$252.83
18x7-1/2"			
3	5 Spoke	.3 4L3Z 1007 JA	\$154.29
4	6 Spoke		
	Chrome	.3 4L3Z 1007 RA	\$530.61
	Silver	.3 4L3Z 1007 PA	\$270.96
5	10 Spoke, (Chrome)	.3 4L3Z 1007 NA	\$558.69
6	18x8"		
	8 Spoke, (Chrome)	.3 4L3Z 1007 HA	\$214.29
7	20x8"	.3 6L3Z 1007 D	\$610.53
8	Cap, Center¶		
17x7-1/2" Wheels			
	Chrome	4L1Z 1130 BA	\$47.03
	Machined	4L3Z 1130 AB	\$21.43
18x7-1/2" Wheels			
	5 Spoke	7L3Z 1130 B	\$61.43
	6 Spoke	2L3Z 1130 AB	\$15.98
	10 Spoke	4L3Z 1130 JA	\$21.43
	18x8" Wheels	4L3Z 1130 HA	\$35.71
	20x8" Wheels	4L1Z 1130 BA	\$47.03
Nut, Lug			
9	Exposed¶		
	54mm	7L1Z 1012 A	\$6.82
	64mm	6L3Z 1120 BA	\$12.57
10	Non-Exposed	2L1Z 1012 AA	\$3.36
¶Included w/Alloy Wheel Kit			
11	Nut Kit, Locking Lug		
	Exposed	6L3Z 1A043 AA	\$44.03
	Non-Exposed	2L1Z 1A043 AA	\$54.76
12	Stem, Valve	F42Z 1700 A	\$2.62

SPARE WHEEL & HARDWARE

2004 Ford New Pickup XLT Pickup F150



002-12051

1 Wheel, Spare			
17" Wheels			
Argent		4L3Z 1015 AA	\$168.02
Conventional		5L3Z 1015 DA	\$140.47
18" Wheels		2L7Z 1015 BA	\$189.13
20" Wheels, 22" Wheels		2L7Z 1015 BA	\$189.13
2 Carrier, Spare Wheel		9L3Z 1A131 A	\$79.58
3 Guide, Rod		4L3Z 1A433 AA	\$6.52
Cylinder, Spare Wheel Lock		4L3Z 1543262 BC	\$95.23
4 Tool Set			
Regular Cab			
	2004		
To 8-11-03		4L3Z 17080 AA	\$143.83
From 8-12-03		6L3Z 17080 AB	\$133.40
2005-06		6L3Z 17080 AB	\$133.40
	2007		
To 10-15-06		6L3Z 17080 AB	\$133.40
From 10-16-06		7L3Z 17080 A	\$131.13
	2008		
7L3Z 17080 A		7L3Z 17080 A	\$131.13
Extended Cab, Crew Cab			
	2004		
To 7-16-03		6L3Z 17080 BC	
From 7-17-03		7L3Z 17080 B	\$128.45
2005-08		7L3Z 17080 B	\$128.45
5 Cover, Jack¶			
Extended Cab, Crew Cab		4L3Z 1545626 BA	\$41.27
6 Bolt, Hold-Down¶			
Regular Cab		7L3Z 17B050 A	\$12.10
Extended Cab, Crew Cab		7L3Z 17B050 B	\$4.10
7 Rod, Extension (2)¶	04-06	9L3Z 17A024 A	\$14.25
	07-08	9L3Z 17A024 A	\$14.25
8 Rod, Jack¶	04-06	9L3Z 17081 A	\$25.62

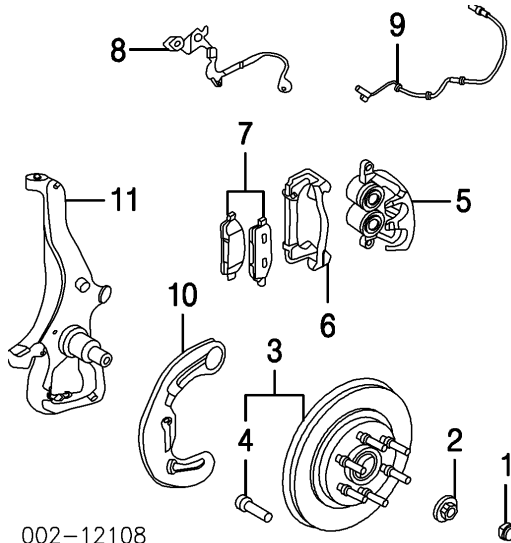
2004 Ford New Pickup XLT Pickup F150

	07-08	9L3Z 17081 A	\$25.62
9 Wrench/Handle	04-06	6L3Z 17032 A	
	07-08	7L3Z 17035 B	\$12.92
¶Included w/Tool Set			

FRONT SUSPENSION

Procedure 11

2WD



002-12108

R&I Suspension (One Side)

R	2.5
L	2.5

O/H Suspension (Includes R&I)

One Side (Includes R&I)

R	4.3
L	4.3

Both Sides (Includes R&I)

8.2

Adjust Front Alignment

2.4

Bleed Brake System

.6

NOTE 1: R&I/R&R or O/H Does Not include alignment or bleed brake system.

NOTE 2: All Parts in this section are included in overhaul unless noted otherwise.

1 Retainer	R		* W710242 S439	\$5.50
	L		* W710242 S439	\$5.50
2 Nut, Lock	R		6L3Z 3C294 AA	\$24.00
	L		6L3Z 3C294 AA	\$24.00
3 Hub/Rotor Assy				
Base Payload	R	#1.1	8L3Z 1102 A	\$280.00
	L	#1.1	8L3Z 1102 A	\$280.00
Heavy Payload	R	#1.1	8L3Z 1102 B	\$215.73
	L	#1.1	8L3Z 1102 B	\$215.73
#R&R Both 2.0				
4 Stud, Lug (a)¶	04-0 R		YL3Z 1107 AB	\$2.85
	L		YL3Z 1107 AB	\$2.85
	06-0 R		6L3Z 1107 AB	\$13.32

2004 Ford New Pickup XLT Pickup F150

		L		6L3Z 1107 AB	\$13.32
¶Included w/Hub/Rotor Assy					
(a) As Required					
5 Caliper, Brake					
	2004	R	#.5	4L3Z 2B120 BB	\$131.93
		L	#.5	4L3Z 2B121 BB	\$144.75
	2005				
	To 11-29-04	R	#.5	4L3Z 2B120 BB	\$131.93
		L	#.5	4L3Z 2B121 BB	\$144.75
	From 11-30-04	R	#.5	7L3Z 2B120 A	\$103.00
		L	#.5	7L3Z 2B121 A	\$104.22
	2006-08	R	#.5	7L3Z 2B120 A	\$103.00
		L	#.5	7L3Z 2B121 A	\$104.22
6 Support, Caliper					
	2004				
	To 9-8-03	R	#.5	4L3Z 2B292 AA	\$61.47
		L	#.5	4L3Z 2B293 AA	\$61.47
	From 9-9-03	R	#.5	7L3Z 2B292 A	\$69.30
		L	#.5	7L3Z 2B293 A	\$69.30
	2005-08	R	#.5	7L3Z 2B292 A	\$69.30
		L	#.5	7L3Z 2B293 A	\$69.30
#R&R One Side Complete, R&R Both Sides .8					
7 Pad Set, Brake					
	2004		#1.0	4L3Z 2001 AD	\$108.17
	2005				
	To 11-29-04		#1.0	4L3Z 2001 AD	\$108.17
	From 11-30-04		#1.0	6L3Z 2001 A	\$95.98
	2006-08		#1.0	6L3Z 2001 A	\$95.98
#Deduct .5 for Each Caliper Removed					
8 Hose, Brake					
	2004	R	#.3	4L3Z 2078 CB	\$139.85
		L	#.3	4L3Z 2078 CC	\$193.30
	2005				
	To 11-29-04	R	#.3	4L3Z 2078 CB	\$139.85
		L	#.3	4L3Z 2078 CC	\$193.30
	From 11-30-04	R	#.3	7L3Z 2078 R	\$64.42
		L	#.3	7L3Z 2078 L	\$51.32
	2006				
	To 8-8-05	R	#.3	7L3Z 2078 R	\$64.42
		L	#.3	7L3Z 2078 L	\$51.32
	From 8-9-05	R	#.3	7L3Z 2078 R	\$64.42
		L	#.3	7L3Z 2078 L	\$51.32

2004 Ford New Pickup XLT Pickup F150

2007-08	R	#.3	7L3Z 2078 R	\$64.42
	L	#.3	7L3Z 2078 L	\$51.32

#w/Caliper Removed Deduct .2

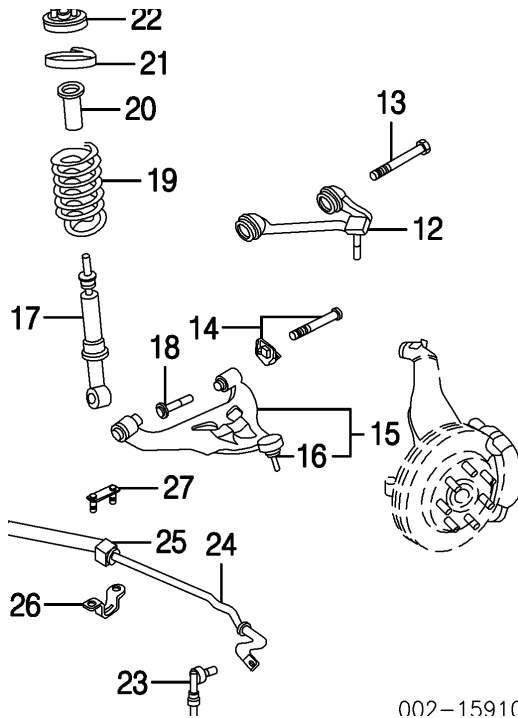
9 Sensor, Front ABS-See ABS/Brakes Section

10 Shield, Splash	R	#.2	4L3Z 2K004 BA	\$21.12
	L	#.2	4L3Z 2K005 BA	\$21.12

#w/Hub Removed

11 Spindle	R	#1.9	7L3Z 3105 A	\$194.33
	L	#1.9	7L3Z 3106 A	\$195.52

#Includes R&R Hub/ Rotor Assy, Splash Shield, R&R Both Sides 3.6



002-1591C

12 Arm, Upper Control	R	#1.0	6L3Z 3084 AR	\$227.25
	L	#1.0	6L3Z 3085 AL	\$199.95

#w/Spindle Removed Deduct .5, R&R Both 1.8

13 Bolt, Upper Arm (2/Side)	R		* W707841 S426	\$6.50
	L		* W707841 S426	\$6.50
14 Adjuster Kit, Camber (a)	R		4L3Z 3B236 CA	\$49.98
	L		4L3Z 3B236 CA	\$49.98

(a) As Required

2004 Ford New Pickup XLT Pickup F150

15 Arm Assy, Lower Control				
Base Payload	R	#1.2	7L3Z 3078 C	\$543.60
	L	#1.2	7L3Z 3079 C	\$543.60
Heavy Payload	R	#1.2	7L3Z 3078 D	\$501.33
	L	#1.2	4L3Z 3079 BA	\$524.95
#w/Spindle Removed Deduct .8				
16 Joint, Lower Ball (c)	R		2L1Z 3050 A	\$109.05
	L		2L1Z 3050 A	\$109.05
(c) Included w/Lower Control Arm Assy				
17 Absorber, Shock (b)				
126" WB, 133" WB	R	#1.4	4L3Z 18124 AA	\$97.50
	L	#1.4	4L3Z 18124 AA	\$97.50
139" WB, 145" WB	R	#1.4	4L3Z 18124 BB	\$96.50
	L	#1.4	4L3Z 18124 BB	\$96.50
150" WB	06-0 R	#1.4	6L3Z 18124 AH	\$100.67
	L	#1.4	6L3Z 18124 AH	\$100.67
163" WB	R	#1.4	4L3Z 18124 CA	\$97.50
	L	#1.4	4L3Z 18124 CA	\$97.50
(b) Order by Application				
18 Bolt, Shock Mtg	R	#	* W712104 S900	\$15.41
	L	#	* W712104 S900	\$15.41
19 Spring, Coil (b)	R	#1.4	8L3Z 5310 U	\$74.97
	L	#1.4	8L3Z 5310 U	\$74.97
(b) Order by Application				
20 Boot, Spring				
		2004		
To 12-10-03	R	#1.4	4L3Z 18A047 AB	\$22.25
	L	#1.4	4L3Z 18A047 AB	\$22.25
From 12-11-03	R	#1.4	4L3Z 18A047 AB	\$22.25
	L	#1.4	4L3Z 18A047 AB	\$22.25
2005-08	R	#1.4	4L3Z 18A047 AB	\$22.25
	L	#1.4	4L3Z 18A047 AB	\$22.25
21 Insulator, Shock	R	#1.4	4L3Z 5415 AA	\$30.00
	L	#1.4	4L3Z 5415 AA	\$30.00
22 Cap, Spring	R	#1.4	7L3Z 18A099 A	\$33.90
	L	#1.4	7L3Z 18A099 A	\$33.90

#R&R One Side Complete, w/Lower Control Arm Removed Deduct .9

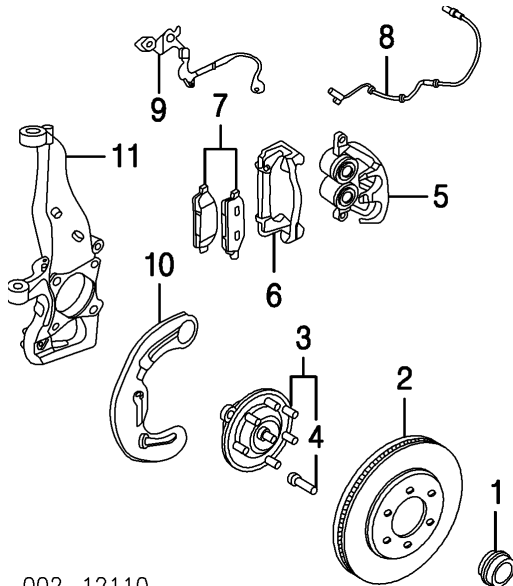
23 Link, Stabilizer				
		2004		
	R	#.4	4L3Z 5K483 AA	\$62.32
	L	#.4	4L3Z 5K483 AA	\$62.32
		2005		

2004 Ford New Pickup XLT Pickup F150

To 11-29-04	R	#.4	4L3Z 5K483 AA	\$62.32
	L	#.4	4L3Z 5K483 AA	\$62.32
From 11-30-04	R	#.4	5L3Z 5K483 CA	\$53.15
	L	#.4	5L3Z 5K483 CA	\$53.15
2006-08	R	#.4	5L3Z 5K483 CA	\$53.15
	L	#.4	5L3Z 5K483 CA	\$53.15
#Not Included in O/H				
24 Bar, Stabilizer				
	2004	#1.0	4L3Z 5482 AA	\$203.48
	2005			
To 11-29-04		#1.0	4L3Z 5482 AA	\$203.48
From 11-30-04		#1.0	6L3Z 5482 A	\$176.00
2006-08		#1.0	6L3Z 5482 A	\$176.00
#Includes R&R Stabilizer Links, Brackets & Bushings, Not Included in O/H				
25 Bushing, Stabilizer	R	#.3	5L3Z 5484 AA	\$21.98
	L	#.3	5L3Z 5484 AA	\$21.98
26 Clamp, Bushing	R	#.3	4L3Z 5486 AA	\$20.15
	L	#.3	4L3Z 5486 AA	\$20.15
#R&R One Side Complete, Not Included in O/H				
27 Bolt, Clamp (a)	R		* W711583 S901	\$6.00
	L		* W711583 S901	\$6.00

(a) As Required

4WD



002-12110

R&l Suspension (One Side)

R	2.8
L	2.8

2004 Ford New Pickup XLT Pickup F150

O/H Suspension (Includes R&I)

One Side (Includes R&I)	R	4.4		
	L	4.4		
Both Sides (Includes R&I)		8.4		
Adjust Front Alignment		2.4		
Bleed Brake System		.6		

NOTE 1: R&I/R&R or O/H Does Not include alignment or bleed brake system.

NOTE 2: All Parts in this section are included in overhaul unless noted otherwise.

1 Cap, Grease	R		9L1Z 1131 A	\$5.17
	L		9L1Z 1131 A	\$5.17

Nut, Axle-See Front Drive Axle Section

2 Rotor, Brake				
Base Payload	R	#.6	5L3Z 1125 AA	\$139.97
	L	#.6	5L3Z 1125 AA	\$139.97
Heavy Payload	R	#.6	5L3Z 1125 BA	\$123.30
	L	#.6	5L3Z 1125 BA	\$123.30

#R&R Both 1.0

3 Hub Assy					
Base Payload					
	2004	R	#1.3	4L3Z 1104 AB	\$292.60
		L	#1.3	4L3Z 1104 AB	\$292.60
	2005				
To 11-29-04		R	#1.3	4L3Z 1104 AB	\$292.60
		L	#1.3	4L3Z 1104 AB	\$292.60
From 11-30-04		R	#1.3	7L3Z 1104 A	\$279.87
		L	#1.3	7L3Z 1104 A	\$279.87
2006-08		R	#1.3	7L3Z 1104 A	\$279.87
		L	#1.3	7L3Z 1104 A	\$279.87
Heavy Payload					
	2004	R	#1.3	4L3Z 1104 BB	\$232.17
		L	#1.3	4L3Z 1104 BB	\$232.17
	2005				
To 11-29-04		R	#1.3	4L3Z 1104 BB	\$232.17
		L	#1.3	4L3Z 1104 BB	\$232.17
From 11-30-04 to 2-28-05		R	#1.3	7L3Z 1104 B	\$209.98
		L	#1.3	7L3Z 1104 B	\$209.98
From 3-1-05		R	#1.3	5L3Z 1104 BB	\$133.25
		L	#1.3	5L3Z 1104 BB	\$133.25
	2006				
To 8-8-05		R	#1.3	5L3Z 1104 BB	\$133.25

2004 Ford New Pickup XLT Pickup F150

		L	#1.3	5L3Z 1104 BB	\$133.25
From 8-9-05		R	#1.3	7L3Z 1104 B	\$209.98
		L	#1.3	7L3Z 1104 B	\$209.98
2007-08		R	#1.3	7L3Z 1104 B	\$209.98
		L	#1.3	7L3Z 1104 B	\$209.98
#Includes R&R Rotor, R&R Both Sides 2.4					
4 Stud, Lug (a)¶		R		YL3Z 1107 AB	\$2.85
		L		YL3Z 1107 AB	\$2.85
¶Included w/Hub Assy					
(a) As Required					
Seal, Hub		R		2L1Z 1S177 AA	\$5.38
		L		2L1Z 1S177 AA	\$5.38
5 Caliper, Brake					
	2004	R	#.5	4L3Z 2B120 BB	\$131.93
		L	#.5	4L3Z 2B121 BB	\$144.75
	2005				
To 11-29-04		R	#.5	4L3Z 2B120 BB	\$131.93
		L	#.5	4L3Z 2B121 BB	\$144.75
From 11-30-04		R	#.5	7L3Z 2B120 A	\$103.00
		L	#.5	7L3Z 2B121 A	\$104.22
2006-08		R	#.5	7L3Z 2B120 A	\$103.00
		L	#.5	7L3Z 2B121 A	\$104.22
6 Support, Caliper					
	2004				
To 9-8-03		R	#.5	4L3Z 2B292 AA	\$61.47
		L	#.5	4L3Z 2B293 AA	\$61.47
From 9-9-03		R	#.5	7L3Z 2B292 A	\$69.30
		L	#.5	7L3Z 2B293 A	\$69.30
2005-08		R	#.5	7L3Z 2B292 A	\$69.30
		L	#.5	7L3Z 2B293 A	\$69.30
#R&R One Side Complete, R&R Both Sides .8					
7 Pad Set, Brake					
	2004		#1.0	4L3Z 2001 AD	\$108.17
	2005				
To 11-29-04			#1.0	4L3Z 2001 AD	\$108.17
From 11-30-04			#1.0	6L3Z 2001 A	\$95.98
2006-08			#1.0	6L3Z 2001 A	\$95.98
#Deduct .5 for Each Brake Caliper Removed					
8 Hose, Brake					
	2004	R	#.3	4L3Z 2078 CB	\$139.85
		L	#.3	4L3Z 2078 CC	\$193.30

2004 Ford New Pickup XLT Pickup F150

	2005				
To 11-29-04		R	#.3	4L3Z 2078 CB	\$139.85
		L	#.3	4L3Z 2078 CC	\$193.30
From 11-30-04		R	#.3	7L3Z 2078 R	\$64.42
		L	#.3	7L3Z 2078 L	\$51.32
	2006				
To 8-8-05		R	#.3	7L3Z 2078 R	\$64.42
		L	#.3	7L3Z 2078 L	\$51.32
From 8-9-05		R	#.3	7L3Z 2078 R	\$64.42
		L	#.3	7L3Z 2078 L	\$51.32
2007-08		R	#.3	7L3Z 2078 R	\$64.42
		L	#.3	7L3Z 2078 L	\$51.32

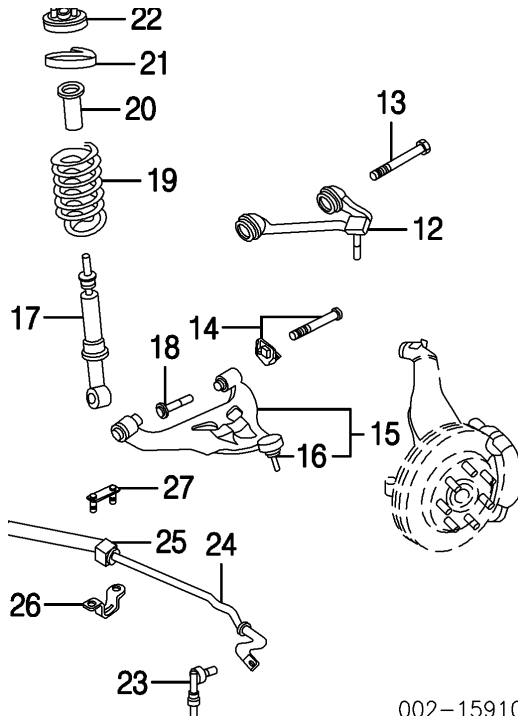
#w/Caliper Removed Deduct .2

9 Sensor, Front ABS-See ABS/Brakes Section

10 Shield, Splash		R	#.2	4L3Z 2K004 BA	\$21.12
		L	#.2	4L3Z 2K005 BA	\$21.12
				#w/Hub Removed	
11 Knuckle		R	#2.4	7L3Z 3K185 A	\$163.15
		L	#2.4	7L3Z 3K186 A	\$175.98

#Includes R&R Rotor, Hub & Splash Shield, R&R Both Sides 4.6

2004 Ford New Pickup XLT Pickup F150



002-1591C

12 Arm, Upper Control	R	#1.0	6L3Z 3084 AR	\$227.25
	L	#1.0	6L3Z 3085 AL	\$199.95

#w/Knuckle Removed Deduct .5, R&R Both 1.8

13 Bolt, Upper Arm (2/Side)	R		* W707841 S426	\$6.50
	L		* W707841 S426	\$6.50
14 Adjuster Kit, Camber	R		4L3Z 3B236 CA	\$49.98
	L		4L3Z 3B236 CA	\$49.98
15 Arm Assy, Lower Control				
Base Payload	R	#1.9	7L3Z 3078 C	\$543.60
	L	#1.9	7L3Z 3079 C	\$543.60
Heavy Payload	R	#1.9	7L3Z 3078 D	\$501.33
	L	#1.9	4L3Z 3079 BA	\$524.95

#w/Knuckle Removed Deduct 1.0

16 Joint, Lower Ball (c)	R		2L1Z 3050 A	\$109.05
	L		2L1Z 3050 A	\$109.05

(c) Included w/Lower Control Arm Assy

17 Absorber, Shock (b)				
126" WB, 133" WB	R	#1.4	4L3Z 18124 DA	\$99.25
	L	#1.4	4L3Z 18124 DA	\$99.25
139" WB, 145" WB	R	#1.4	4L3Z 18124 EA	\$96.33

2004 Ford New Pickup XLT Pickup F150

		L	#1.4	4L3Z 18124 EA	\$96.33
150" WB	06-0	R	#1.4	6L3Z 18124 LD	\$103.92
		L	#1.4	6L3Z 18124 LD	\$103.92
163" WB		R	#1.4	4L3Z 18124 FA	\$97.72
		L	#1.4	4L3Z 18124 FA	\$97.72
(b) Order by Application					
18 Bolt, Shock Mtg		R		* W712104 S900	\$15.41
		L		* W712104 S900	\$15.41
19 Spring, Coil (b)		R	#1.4	8L3Z 5310 U	\$74.97
		L	#1.4	8L3Z 5310 U	\$74.97
(b) Order by Application					
20 Boot, Spring					
	2004				
To 12-10-03		R	#1.4	4L3Z 18A047 AB	\$22.25
		L	#1.4	4L3Z 18A047 AB	\$22.25
From 12-11-03		R	#1.4	4L3Z 18A047 AB	\$22.25
		L	#1.4	4L3Z 18A047 AB	\$22.25
2005-08		R	#1.4	4L3Z 18A047 AB	\$22.25
		L	#1.4	4L3Z 18A047 AB	\$22.25
21 Insulator, Shock		R	#1.4	4L3Z 5415 AA	\$30.00
		L	#1.4	4L3Z 5415 AA	\$30.00
22 Cap, Spring		R	#1.4	7L3Z 18A099 A	\$33.90
		L	#1.4	7L3Z 18A099 A	\$33.90
#R&R One Side Complete, w/Lower Control Arm Removed Deduct .9					
23 Link, Stabilizer					
	2004	R	#.4	4L3Z 5K483 BA	\$58.65
		L	#.4	4L3Z 5K483 BA	\$58.65
	2005				
To 11-29-04		R	#.4	4L3Z 5K483 BA	\$58.65
		L	#.4	4L3Z 5K483 BA	\$58.65
From 11-30-04		R	#.4	5L3Z 5K483 DA	\$48.32
		L	#.4	5L3Z 5K483 DA	\$48.32
2006-08		R	#.4	5L3Z 5K483 DA	\$48.32
		L	#.4	5L3Z 5K483 DA	\$48.32
#Not Included in O/H					
24 Bar, Stabilizer					
	2004		#1.0	4L3Z 5482 AA	\$203.48
	2005				
To 11-29-04			#1.0	4L3Z 5482 AA	\$203.48
From 11-30-04			#1.0	6L3Z 5482 A	\$176.00
2006-08			#1.0	6L3Z 5482 A	\$176.00

#Includes R&R Stabilizer Links, Brackets & Bushings, Not Included in O/H

2004 Ford New Pickup XLT Pickup F150

25 Bushing, Stabilizer	R	#.3	5L3Z 5484 AA	\$21.98
	L	#.3	5L3Z 5484 AA	\$21.98
26 Clamp, Bushing	R	#.3	4L3Z 5486 AA	\$20.15
	L	#.3	4L3Z 5486 AA	\$20.15

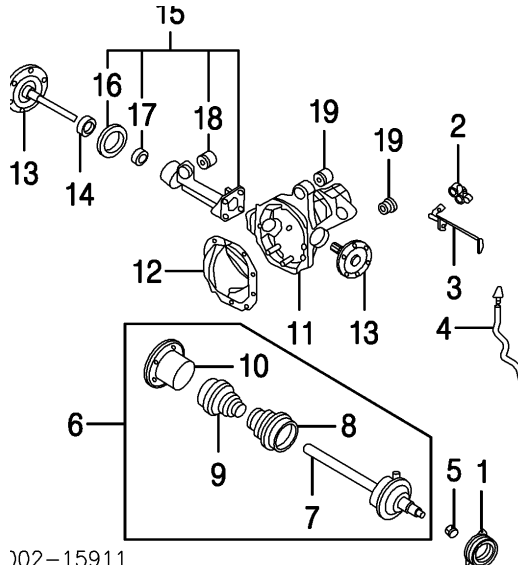
#R&R One Side Complete, Not Included in O/H

27 Bolt, Clamp (a)	R		* W711583 S901	\$6.00
	L		* W711583 S901	\$6.00

(a) As Required

2004 Ford New Pickup XLT Pickup F150

FRONT DRIVE AXLE



102-15911

R&I Front Axle Assy

R&I Drive Axle Assy

4.3

R #.6
L #.6

#w/Necessary Suspension Components Removed

1 Actuator, Auto Lock	R	#	7L1Z 3C247 A	\$120.98
	L	#	7L1Z 3C247 A	\$120.98

#Included in R&R Hub Assy

2 Solenoid, Auto Lock		.3	6L3Z 9H465 B	\$44.98
3 Tube, Solenoid			4L3Z 3A788 AA	\$12.82
4 Hose, Vacuum			7L3Z 7A785 A	\$75.60
5 Nut, Axle	R		* N802827 S441	\$7.00
	L		* N802827 S441	\$7.00
6 Axle Assy, Drive	R	#.6	5L1Z 3B436 AA	\$455.38
	L	#.6	5L1Z 3B436 AA	\$455.38

#w/Necessary Suspension Components Removed

7 Joint, Outer	R	#1.3	2L1Z 3B414 AA	\$483.98	
	L	#1.3	2L1Z 3B414 AA	\$483.98	
8 Boot Kit, Outer	R	#1.3	2L1Z 3A331 AA	\$55.98	
	L	#1.3	2L1Z 3A331 AA	\$55.98	
9 Boot Kit, Inner	R	#1.3	2L1Z 3A331 AB	\$53.98	
	L	#1.3	2L1Z 3A331 AB	\$53.98	
10 Joint, Inner					
	2004	R	#1.3	F65Z 3B414 AA	\$362.98
		L	#1.3	F65Z 3B414 AA	\$362.98

2004 Ford New Pickup XLT Pickup F150

		2005			
To 11-10-04	R	#1.3	F65Z 3B414 AA	\$362.98	
	L	#1.3	F65Z 3B414 AA	\$362.98	
From 11-11-04	R	#1.3	5L3Z 3B414 AA	\$369.98	
	L	#1.3	5L3Z 3B414 AA	\$369.98	
2006-08	R	#1.3	5L3Z 3B414 AA	\$369.98	
	L	#1.3	5L3Z 3B414 AA	\$369.98	
¶Included w/Drive Axle Assy					
#R&R One Side Complete, w/Drive Axle Assy Removed					
11 Case, Differential		#5.7	6L3Z 3010 AA	\$694.32	
#Includes R&R Cover					
12 Cover, Differential	04-0	1.7	2L1Z 4033 CA	\$29.32	
	07-0	1.7	8L1Z 4033 A	\$20.03	
13 Axle, Stub					
2004-05	R	#5.7	6L3Z 3219 A	\$146.65	
	L	#5.7	2L3Z 3220 AB	\$120.98	
		2006			
To 8-8-05	R	#5.7	6L3Z 3219 A	\$146.65	
	L	#5.7	2L3Z 3220 AB	\$120.98	
From 8-9-05					
w/Torque On Demand System	R	#5.7	6L1Z 3219 AA	\$225.47	
	L	#5.7	4L1Z 3220 AA	\$53.15	
w/o Torque On Demand System	R	#5.7	6L3Z 3219 A	\$146.65	
	L	#5.7	2L3Z 3220 AB	\$120.98	
2007-08	R	#5.7	6L3Z 3219 A	\$146.65	
	L	#5.7	2L3Z 3220 AB	\$120.98	
14 Bearing, Outer	R		6L3Z 3A379 AA	\$12.82	
15 Tube Assy, Axle	R	#5.7	2L1Z 3B210 AA	\$76.98	
#R&R Complete, Included in R&R Differential					
16 Seal, Axle (a)	R		2L1Z 3C084 AA	\$11.98	
17 Bearing, Inner (a)	R		F65Z 4B413 A1A	\$16.65	
18 Bushing, Right Mtg (a)					
2004-05	R		F75Z 3A443 AB	\$14.66	
		2006			
To 8-8-05	R		F75Z 3A443 AB	\$14.66	
From 8-9-05	R		5L7Z 3A443 CA	\$14.65	
2007-08	R		5L7Z 3A443 CA	\$14.65	

(a) Included w/Axle Tube Assy

2004 Ford New Pickup XLT Pickup F150

19 Bushing, Diff'l Mtg (2)

2004-05

2006

F75Z 3A443 AB

\$14.66

To 8-8-05

F75Z 3A443 AB

\$14.66

From 8-9-05

5L7Z 3A443 CA

\$14.65

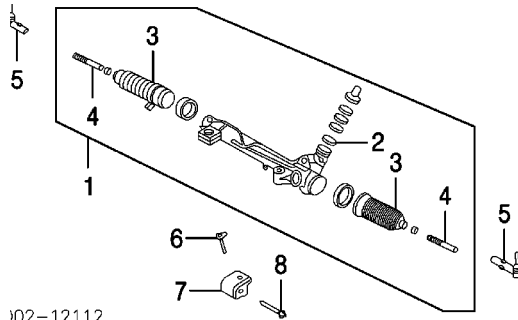
2007-08

5L7Z 3A443 CA

\$14.65

2004 Ford New Pickup XLT Pickup F150

FRONT STEERING LINKAGE/GEAR



102-12112

R&I Steering Gear Assy

3.0

NOTE: R&R Does Not include adjust wheel alignment.

1 Gear Assy, Steering

Regular Cab

2WD

3.2 8L3Z 3504 CRM \$366.41

4WD

3.2 8L3Z 3504 DRM \$346.08

Extended Cab, Crew Cab

2WD

3.2 8L3Z 3504 ARM \$366.41

4WD

3.2 8L3Z 3504 BRM \$370.99

2 Seal, Pinion¶

F5TZ 3K664 A \$5.68

3 Boot, Dust¶

R #.8 4L3Z 3K661 EA \$20.20

L #.8 4L3Z 3K661 FA \$19.93

4 Rod, Inner Tie (a)¶

2WD

R #.8 6L3Z 3280 A \$76.33

L #.8 6L3Z 3280 A \$76.33

4WD

R #.8 6L3Z 3280 B \$79.03

L #.8 6L3Z 3280 B \$79.03

¶Included w/Steering Gear Assy

(a) Additional Parts &/or Dealer Contact Required

#Includes R&R Outer Tie Rod End, w/Steering Gear Assy Removed Deduct .4, R&R Both Sides

1.4

5 End, Outer Tie Rod

R .3 4L3Z 3A130 CA \$121.48

L .3 4L3Z 3A130 CA \$121.48

6 Bolt, Gear Mtg

R * W709498 S439 \$18.25

L * W709498 S439 \$18.25

7 Bracket, Mtg

R 4L3Z 3E552 AA \$18.27

L 4L3Z 3E552 AA \$18.27

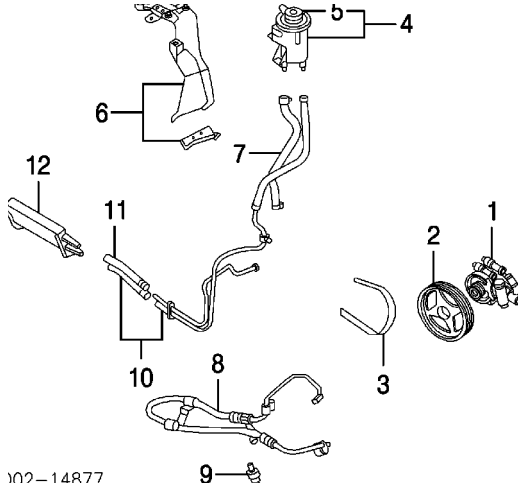
8 Bolt, Bracket Mtg

R * W707244 S439 \$13.67

L * W707244 S439 \$13.67

2004 Ford New Pickup XLT Pickup F150

STEERING PUMP



100-14877

1 Pump, Steering				
4.2L Eng	05-0	1.5	7L3Z 3A674 DRM	\$120.40
4.6L, 5.4L Eng		1.5	7L3Z 3A674 BG	\$141.56
2 Pulley, Pump				
4.2L Eng	05-0	#.7	5L3Z 3A733 CA	\$28.30
4.6L, 5.4L Eng		#.7	2L3Z 3A733 AA	\$48.38
#Included in R&R Steering Pump				
3 Belt, Drive-See Cooling Section				
4 Reservoir Assy, Pump		.7	5L3Z 3A697 AA	\$25.98
5 Cap, Reservoir (a)			F65Z 3A006 A	\$13.30
(a) Included w/Pump Reservoir Assy				
6 Brkt, Reservoir				
4.2L Eng	05-08		F75Z 3489 AA	\$32.98
4.6L Eng			2L1Z 3489 BA	\$47.00
5.4L Eng			4L3Z 3489 BA	\$166.53
7 Hose, Reservoir				
4.2L Eng	05-0	.7	5L3Z 3691 AA	\$22.25
4.6L Eng		.7	2L1Z 3691 AA	\$32.85
5.4L Eng		.7	4L3Z 3691 BA	\$28.02
8 Hose, Pressure				
2WD				
4.2L Eng	2005	1.5	6L3Z 3A719 M	\$92.08
	2006			
To 8-29-05		1.5	6L3Z 3A719 M	\$92.08
From 8-30-05		1.5	6L3Z 3A719 M	\$92.08

2004 Ford New Pickup XLT Pickup F150

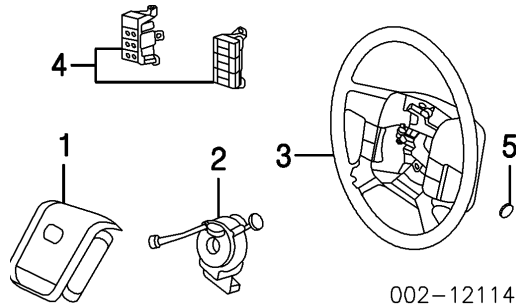
2007-08		1.5 6L3Z 3A719 M	\$92.08
4.6L Eng		1.5 6L3Z 3A719 H	\$76.68
5.4L Eng		1.5 8L3Z 3A719 B	\$87.83
4WD			
4.6L Eng		1.5 6L3Z 3A719 K	\$114.25
5.4L Eng		1.5 6L3Z 3A719 L	\$148.49
9 Switch, Pressure		.4 3F1Z 3K215 A	\$58.30
10 Hose & Tube, Cooling			
4.2L Eng, 4.6L Eng		.8 8L3Z 3D746 B	\$44.70
5.4L Eng		.8 8L3Z 3D746 C	\$71.05
11 Hose, Cooler			
2004-05		.8 6L3Z 3A713 E	\$41.34
	2006		
To 12-9-05		.8 6L3Z 3A713 E	\$41.34
From 12-10-05		.8 6L3Z 3A713 E	\$41.34
	2007		
	2008		
To 9-24-07		.8 6L3Z 3A713 E	\$41.34
From 9-25-07		.8 8L3Z 3A713 A	\$27.52
12 Cooler, Pwr Strg Oil			
4.2L Eng		.7 8L3Z 3D746 A	\$45.07
4.6L, 5.4L Eng			
	2004	.7 8L3Z 3D746 B	\$44.70
	2005		
To 9-20-04		.7 8L3Z 3D746 B	\$44.70
From 9-21-04		.7 5L3Z 3D746 BA	\$67.40
2006-08		.7 5L3Z 3D746 BA	\$67.40

2004 Ford New Pickup XLT Pickup F150

STEERING WHEEL/COLUMN

NOTE: All Parts in this section are included in overhaul unless noted otherwise.

WHEEL & TRIM



1 Module, Driver Air Bag-See Air Bag System Section

2 Clockspring-See Air Bag System Section

3 Wheel, Steering

XL, STX Model

w/Cruise Control

2004-05

.6 7L3Z 3600 CC \$249.13

2006

To 12-5-05

.6 7L3Z 3600 CC \$249.13

From 12-6-05

.6 7L3Z 3600 CC \$249.13

2007-08

.6 7L3Z 3600 CC \$249.13

w/o Cruise Control

04-0

.6 4L3Z 3600 BAA \$197.10

06

.6 7L3Z 3600 AB \$230.33

XLT Model

Flint

2004-05

.6 7L3Z 3600 CD \$248.92

2006-08

Leather

.6 7L3Z 3600 FC \$273.02

Urethane

.6 7L3Z 3600 CD \$248.92

Pebble

2004-05

.6 7L3Z 3600 CE \$220.38

2006-08

Leather

.6 7L3Z 3600 FD \$284.07

Urethane

.6 7L3Z 3600 CE \$220.38

FX2 Model

07-0

.6 7L3Z 3600 DA \$273.02

FX4 Model

2004-05

.6 7L3Z 3600 DA \$273.02

2006-08

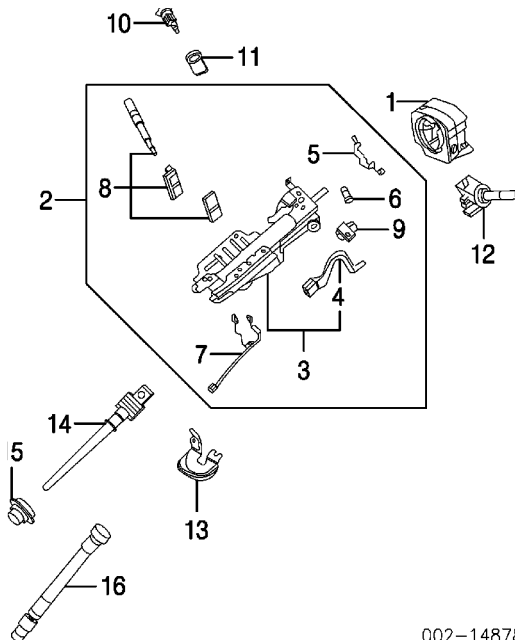
w/Audio Controls

2004 Ford New Pickup XLT Pickup F150

17" Wheels, 18" Wheels		.6	7L3Z 3600 EA	\$317.48
20" Wheels		.6	7L3Z 3600 HA	\$330.03
w/o Audio Controls				
17" Wheels, 18" Wheels		.6	7L3Z 3600 DA	\$273.02
20" Wheels		.6	7L3Z 3600 GB	\$296.78
Lariat Model				
2004-05				
Black		.6	7L3Z 3600 EA	\$317.48
Pebble		.6	7L3Z 3600 HB	\$330.03
2006-07				
17" Wheels, 18" Wheels				
Black		.6	7L3Z 3600 EA	\$317.48
Pebble		.6	7L3Z 3600 HB	\$330.03
20" Wheels				
Black		.6	7L3Z 3600 HA	\$330.03
Pebble		.6	7L3Z 3600 HB	\$330.03
Limited Model	08	.6	N.A.	
Harley-Davidson Model	06-0	.6	7L3Z 3600 AA	\$331.00
	08	.6	8L3Z 3600 AA	\$440.00
King Ranch Model	05-0	.6	7L3Z 3600 BA	\$447.35
4 Switch, Cruise Control				
w/Radio Controls				
Black		.3	6L3Z 9C888 AB	\$150.87
Warm Steel		.3	6L3Z 9C888 AA	\$150.87
w/o Radio Controls				
Black		.3	4L3Z 9C888 AAJ	\$109.60
Warm Steel		.3	4L3Z 9C888 AAA	\$110.93
5 Plug, Steering Wheel				
Black	R		5L3Z 3L518 AA	\$4.88
	L		5L3Z 3L518 AA	\$4.88
Flint	R		5L3Z 3L518 AB	\$4.78
	L		5L3Z 3L518 AB	\$4.78
Pebble	R		5L3Z 3L518 AC	\$4.78
	L		5L3Z 3L518 AC	\$4.78

COLUMN TILT

2004 Ford New Pickup XLT Pickup F150



002-1487f

Refinish Steering Column Cover	.3
R&I Steering Column Assy	1.8
O/H Steering Column Assy (Includes R&I)	4.0

1	Cover, Column		
	Column Shift		
	Black	.3 4L3Z 3530 AAA	\$39.47
	Flint	.3 4L3Z 3530 AAB	\$39.47
	Pebble	.3 4L3Z 3530 AAC	\$39.47
	Floor Shift		
	Black	.3 4L3Z 3530 BAA	\$39.47
	Flint	.3 5L3Z 3530 BAA	\$53.80
	Pebble	.3 4L3Z 3530 BAB	\$39.47
2	Column Assy, Steering		
	Column Shift		
	2004-06	3.0 7L3Z 3C529 C	\$493.28
		2007	
	To 12-4-06	3.0 7L3Z 3C529 C	\$493.28
	From 12-5-06	3.0 7L3Z 3C529 C	\$493.28
		2008	
	Floor Shift	3.0 7L3Z 3C529 C	\$493.28
	2004-06	3.0 7L3Z 3C529 D	\$378.20
		2007	
	To 12-4-06	3.0 7L3Z 3C529 D	\$378.20
	From 12-5-06	3.0 7L3Z 3C529 D	\$378.20

2004 Ford New Pickup XLT Pickup F150

	2008	3.0 7L3Z 3C529 D	\$378.20
2004-06		3.0 7L3Z 3C529 D	\$378.20
3 Housing Assy, Column¶			
Column Shift		7L3Z 3F723 A	\$610.32
Floor Shift		7L3Z 3F723 B	\$546.97
4 Lever, Tilt (a)¶		.9 6L3Z 3B661 A	\$28.30
(a) Included w/Column Housing Assy			
5 Bracket, Upper Column¶		7L3Z 3B139 A	\$28.00
6 Actuator, Column¶		7L3Z 3Z719 A	\$70.00
7 Harness, Interlock Jumper¶		4L3Z 3D568 AA	\$35.33
8 Lever, Shift¶		.9 7L3Z 7210 A	\$84.32
9 Switch, Ignition¶		.7 98AZ 11572 A	\$86.20
¶Included w/Steering Column Assy			
10 Cylinder, Ign Lock		.6 4L3Z 11582 BB	\$117.67
11 Transceiver		.6 2L1Z 15607 AA	\$45.09
12 Switch, Turn Signal			
	2004	.8 4L3Z 13K359 AAA	\$82.22
	2005		
To 11-29-04		.8 4L3Z 13K359 AAA	\$82.22
From 11-30-04		.8 6L3Z 13K359 AA	\$79.73
2006-08		.8 6L3Z 13K359 AA	\$79.73
13 Bracket, Lower Column		1L2Z 7E364 BA	\$14.88
14 Shaft, Upper Column		3.0 7L3Z 3E751 A	\$379.33
15 Seal, Column		5L3Z 3D677 AA	\$30.38
16 Shaft, Lower Column	04-0	.8 8L3Z 3B676 B	\$218.47
	08	.8 8L3Z 3B676 B	\$218.47

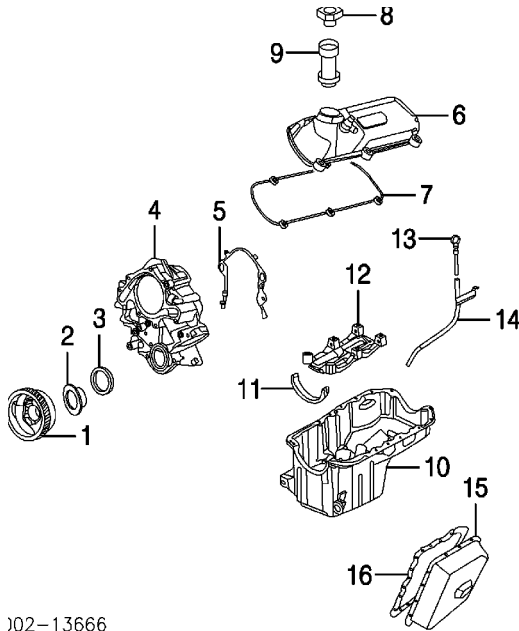
2004 Ford New Pickup XLT Pickup F150

ENGINE/TRANSMISSION

Procedure 12

4.2L ENG

2005-08



102-13666

R&I Engine/Trans Assy

11.7

1 Pulley, Crankshaft	.9	3L3Z 6B321 AA	\$136.27
Bolt, Pulley		F58Z 6A340 A	\$6.30
2 Gear, Crankshaft		F4SZ 6306 A	\$17.71
3 Seal, Crankshaft	#1.3	4F2Z 6700 AA	\$7.98
4 Cover, Front Timing	#3.8	4F2Z 6019 BA	\$304.32

#Includes R&R Crankshaft Pulley

5 Gskt, Front Cover		YF2Z 6020 AA	\$12.29
6 Cover, Valve			

2005

To 8-8-05	R	#1.6	4U7Z 6582 A	\$74.98
	L	#1.6	4U7Z 6582 B	\$60.48
From 8-9-05	R	#1.6	5L3Z 6582 AA	\$73.32
	L	#1.6	5L3Z 6582 BA	\$73.32
2006-08	R	#1.6	5L3Z 6582 AA	\$73.32
	L	#1.6	5L3Z 6582 BA	\$73.32

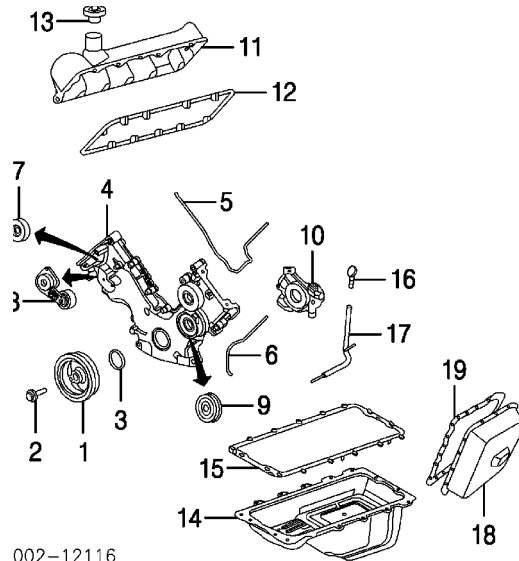
#R&R Both 3.0

7 Gskt, Valve Cover	R		5L3Z 6584 AA	\$12.15
	L		5L3Z 6584 AA	\$12.15
8 Cap, Oil Filler	L		1L3Z 6766 AA	\$12.06
9 Neck, Oil Filler	L		5L3Z 6778 AA	\$23.52

2004 Ford New Pickup XLT Pickup F150

10 Pan, Eng Oil	2.7	3L3Z 6675 CA	\$137.48
11 Gskt, Oil Pan		1F2Z 6723 AA	\$7.14
Sealant, Engine		N.A.	
12 Baffle, Oil Pan		1L3Z 6A835 AA	\$64.03
13 Dipstick, Eng Oil		2L3Z 6750 AA	\$15.38
14 Tube, Dipstick	.5	XL3Z 6754 BA	\$19.55
15 Pan, Trans Oil	1.0	6L3Z 7A194 A	\$40.32
16 Gskt, Trans Oil Pan		F2VY 7A191 A	\$25.38

4.6L ENG



002-12116

R&I Engine/Trans Assy

	9.0		
1 Pulley, Crankshaft			
Romeo Eng	1.5	1W7Z 6312 AA	\$95.93
Windsor Eng	1.5	XR3Z 6312 DA	\$237.20
2 Bolt, Pulley		F5RZ 6A340 B	\$7.32
3 Seal, Crankshaft			
Romeo Eng	#1.8	F5AZ 6700 A	\$10.45
Windsor Eng	#1.8	XW4Z 6700 AA	\$10.45
4 Cover, Timing	04 #6.0	3L3Z 6019 AA	\$276.82
	05-0 #6.0	7L3Z 6019 B	\$353.97

#Includes R&R Crankshaft Pulley

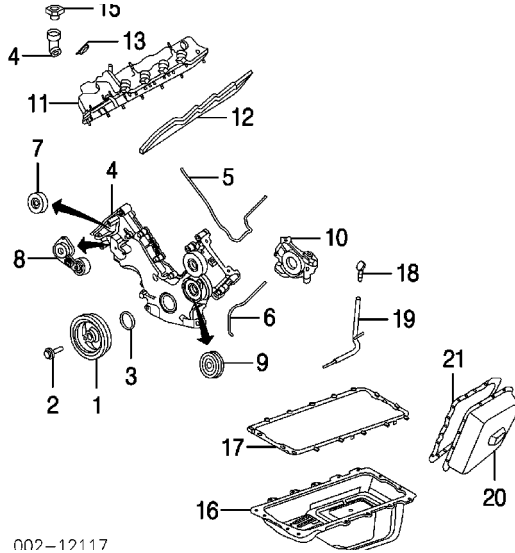
5 Gskt, Center Timing Cover	04	F6AZ 6020 BB	\$8.45
	05-08	4L1Z 6020 AA	\$5.05
6 Gskt, Side Timing Cover	04 R	F1AZ 6020 C	\$6.42
	L	F1AZ 6020 A	\$6.42
	05-0 R	4R3Z 6020 EB	\$5.06
	L	4R3Z 6020 DB	\$5.06
7 Pulley, Belt Tensioner	.7	1L2Z 8678 AB	\$36.73

2004 Ford New Pickup XLT Pickup F150

8	Tensioner, Belt				
	w/ A/C		.8	1L2Z 6B209 AA	\$91.44
	w/o A/C		.8	2L3Z 6B209 CA	\$87.19
9	Pulley, Idler	04-0	.7	1L2Z 6C348 AA	\$31.65
		07-0	.7	6L3Z 6C348 A	\$30.32
10	Pump, Oil	#6.6		5L3Z 6600 AA	\$74.89
	#Includes R&R Oil Pan				
11	Cover, Valve				
	Romeo Eng				
	2004-05	R	#1.6	4L2Z 6582 CA	\$87.98
		L	#1.6	4L2Z 6582 AA	\$104.98
		2006			
	To 7-16-06	R	#1.6	4L2Z 6582 CA	\$87.98
		L	#1.6	4L2Z 6582 AA	\$104.98
	From 7-17-06	R	#1.6	7W7Z 6582 B	\$132.68
		L	#1.6	7W7Z 6582 AA	\$106.65
	2007-08	R	#1.6	7W7Z 6582 B	\$132.68
		L	#1.6	7W7Z 6582 AA	\$106.65
	Windsor Eng	R	#1.6	7C3Z 6582 A	\$135.65
		L	#1.6	7C2Z 6582 A	\$104.48
	#R&R Both 3.0				
12	Gskt, Valve Cover				
	Romeo Eng	R		4L2Z 6584 BA	\$32.14
		L		4L2Z 6584 AA	\$28.75
	Windsor Eng	R		4C2Z 6584 BA	\$20.29
		L		4C3Z 6584 CA	\$20.29
13	Cap, Oil Filler				
	Romeo Eng	R		8F1Z 6766 A	\$12.08
	Windsor Eng	R		1L3Z 6766 AA	\$12.06
14	Pan, Eng Oil		2.7	2L1Z 6675 BA	\$133.82
15	Gskt, Eng Oil Pan			3L3Z 6710 AA	\$32.58
16	Dipstick, Eng Oil				
	2004-05			4L3Z 6750 AA	\$49.98
		2006			
	To 7-16-06			4L3Z 6750 AA	\$49.98
	From 7-17-06			7L3Z 6750 A	\$10.98
	2007-08			7L3Z 6750 A	\$10.98
17	Tube, Eng Oil Dipstick				
	2004-05		4.0	4L3Z 6754 AA	\$28.02
		2006			
	To 7-16-06		4.0	4L3Z 6754 AA	\$28.02
	From 7-17-06		4.0	7L3Z 6754 A	\$20.15
	2007-08		4.0	7L3Z 6754 A	\$20.15
18	Pan, Trans Oil		1.0	6L3Z 7A194 A	\$40.32
19	Gskt, Trans Oil Pan			F2VY 7A191 A	\$25.38

2004 Ford New Pickup XLT Pickup F150

5.4L ENG



002-12117

R&I Engine/Trans Assy

			10.4	
1 Pulley, Crankshaft				
2004-06		1.5	7L3Z 6312 A	\$197.12
	2007			
To 12-4-06		1.5	7L3Z 6312 A	\$197.12
From 12-5-06		1.5	7L3Z 6312 A	\$197.12
	2008			
		1.5	7L3Z 6312 A	\$197.12
2 Bolt, Pulley			F5RZ 6A340 B	\$7.32
3 Seal, Crankshaft		#1.8	XW4Z 6700 AA	\$10.45
4 Cover, Timing		#7.2	7L3Z 6019 A	\$227.32
#Includes R&R Crankshaft Pulley				
5 Gskt, Center Timing Cover			3L3Z 6020 EA	\$7.95
6 Gskt, Side Timing Cover		R	3L3Z 6020 FA	\$6.75
		L	3L3Z 6020 DA	\$6.22
7 Pulley, Belt Tensioner		.7	1L2Z 8678 AB	\$36.73
8 Tensioner, Belt				
w/ A/C		.8	1L2Z 6B209 AA	\$91.44
w/o A/C		.8	2L3Z 6B209 CA	\$87.19
9 Pulley, Idler		04-0	.7 1L2Z 6C348 AA	\$31.65
		07-0	.7 6L3Z 6C348 A	\$30.32
10 Pump, Oil		#7.8	3L3Z 6600 AA	\$98.52
#Includes R&R Crankshaft Pulley & Front Timing Cover				
11 Cover, Valve				
2004-05		R #3.2	9L1Z 6582 D	\$154.88
		L #2.0	7L1Z 6582 CA	\$110.57

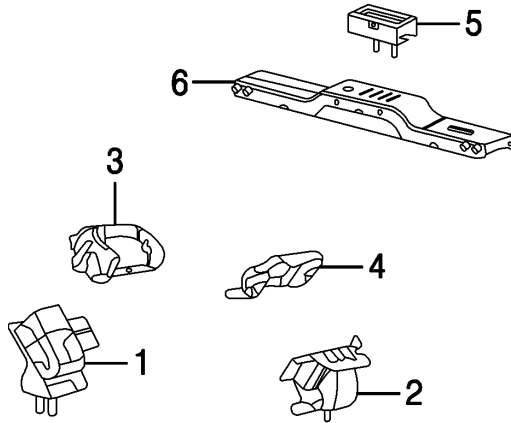
2004 Ford New Pickup XLT Pickup F150

	2006				
To 7-16-06		R	#3.2	9L1Z 6582 D	\$154.88
		L	#2.0	7L1Z 6582 CA	\$110.57
From 7-17-06		R	#3.2	7L1Z 6582 A	\$110.57
		L	#2.0	7L1Z 6582 CA	\$110.57
	2007	R	#3.2	7L1Z 6582 A	\$110.57
		L	#2.0	7L1Z 6582 CA	\$110.57
	2008	R	#3.2	9L1Z 6582 D	\$154.88
		L	#2.0	7L1Z 6582 CA	\$110.57
#R&R Both 4.6					
12 Gskt, Valve Cover					
2004-05		R		3L3Z 6584 EA	\$18.45
		L		3L3Z 6584 DB	\$18.45
	2006				
To 7-16-06		R		3L3Z 6584 EA	\$18.45
		L		3L3Z 6584 DB	\$18.45
From 7-17-06		R		7L1Z 6584 A	\$12.88
		L		7L1Z 6584 B	\$14.80
2007-08		R		7L1Z 6584 A	\$12.88
		L		7L1Z 6584 B	\$14.80
13 Seal, Valve Cover¶		R		3L3Z 6C535 AA	\$7.77
		L		3L3Z 6C535 AA	\$7.77
¶Order by Application					
14 Neck, Oil Filler		R		3L3Z 6763 DA	\$14.65
15 Cap, Oil Filler		R		8F1Z 6766 A	\$12.08
16 Pan, Eng Oil		04-0	2.7	3L3Z 6675 BA	\$138.32
		07-0	2.7	2L1Z 6675 BA	\$133.82
17 Gskt, Eng Oil Pan				3L3Z 6710 AA	\$32.58
18 Dipstick, Eng Oil				3L3Z 6750 DA	\$14.83
19 Tube, Eng Oil Dipstick			.5	3L3Z 6754 AA	\$25.80
20 Pan, Trans Oil			1.0	6L3Z 7A194 A	\$40.32
21 Gskt, Trans Oil Pan				F2VY 7A191 A	\$25.38

2004 Ford New Pickup XLT Pickup F150

ENGINE/TRANSMISSION MOUNTS

4.2L ENG
2005-08

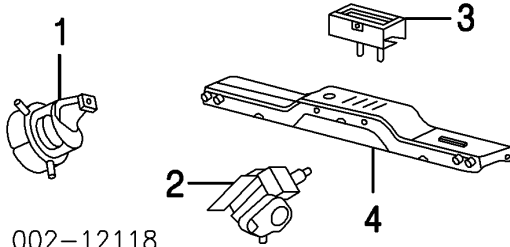


002-12898

1 Mount, Right Engine	R	#5.0	5L3Z 6038 AD	\$85.54
2 Mount, Left Engine				
2005				
To 11-29-04	L	#5.0	5L3Z 6038 AC	\$65.06
From 11-30-04				
Man Trans	L	#5.0	5L3Z 6038 KA	\$120.62
Auto Trans	L	#5.0	5L3Z 6038 JA	\$89.03
2006-08				
Man Trans	L	#5.0	5L3Z 6038 KA	\$120.62
Auto Trans	L	#5.0	5L3Z 6038 JA	\$89.03
#R&R Both 6.0				
Bracket, Engine Mount				
3 Right	R		5L3Z 6030 AC	\$21.65
4	L		5L3Z 6031 AB	\$21.98
5 Mount, Trans			.9 4L3Z 6068 AA	\$31.41
6 Support, Trans Mount				
2005				
		#1.3	4L3Z 6A023 AA	\$545.83
2006				
To 8-8-05		#1.3	4L3Z 6A023 AA	\$545.83
From 8-9-05		#1.3	6L3Z 6A023 A	\$578.47
2007-08		#1.3	6L3Z 6A023 A	\$578.47
#Includes R&R Trans Mount				

4.6L, 5.4L ENG

2004 Ford New Pickup XLT Pickup F150



002-12118						
1 Mount, Right Engine						
4.6L Eng			04 R	#5.0	4L3Z 6038 EC	\$130.94
			05-0 R	#5.0	7L3Z 6038 CA	\$120.62
5.4L Eng			04 R	#5.4	4L3Z 6038 DG	\$120.62
			05-0 R	#5.4	7L3Z 6038 DA	\$114.27
2 Mount, Left Engine						
4.6L Eng						
		2004				
To 11-22-03			L	#5.0	4L3Z 6038 EF	\$122.21
From 11-23-03			L	#5.0	4L3Z 6038 EF	\$122.21
		2005				
To 11-29-04			L	#5.0	5L3Z 6038 GA	\$134.43
From 11-30-04			L	#5.0	7L3Z 6038 C	\$130.14
2006-08			L	#5.0	7L3Z 6038 C	\$130.14
#R&R Both 6.0						
5.4L Eng						
		2004				
To 11-22-03			L	#5.4	4L3Z 6038 DF	\$120.62
From 11-23-03			L	#5.4	4L3Z 6038 DF	\$120.62
		2005				
To 11-29-04			L	#5.4	5L3Z 6038 HA	\$130.94
From 11-30-04			L	#5.4	7L3Z 6038 D	\$125.38
2006-08			L	#5.4	7L3Z 6038 D	\$125.38
#R&R Both 6.4						
3 Mount, Trans						
2WD					.9 4L3Z 6068 AA	\$31.41
4WD						
4.6L Eng						
2004-05					.9 4L3Z 6068 BA	\$50.62
		2006				
To 8-8-05					.9 4L3Z 6068 BA	\$50.62
From 8-9-05					.9 5L3Z 6068 DA	\$39.67
2007-08					.9 5L3Z 6068 DA	\$39.67
5.4L Eng						
2004-05					.9 4L3Z 6068 A	\$157.13
		2006				
To 8-8-05					.9 4L3Z 6068 A	\$157.13

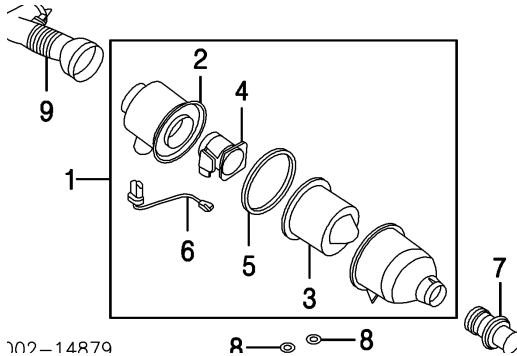
2004 Ford New Pickup XLT Pickup F150

From 8-9-05				
w/Harley-Davidson Model		.9	5L3Z 6068 DA	\$39.67
w/o Harley-Davidson Model		.9	4L3Z 6068 A	\$157.13
2007-08				
w/Harley-Davidson Model		.9	5L3Z 6068 DA	\$39.67
w/o Harley-Davidson Model		.9	4L3Z 6068 A	\$157.13
4 Support, Trans Mount				
2004-05		#1.3	4L3Z 6A023 AA	\$545.83
	2006			
To 8-8-05		#1.3	4L3Z 6A023 AA	\$545.83
From 8-9-05		#1.3	6L3Z 6A023 A	\$578.47
2007-08		#1.3	6L3Z 6A023 A	\$578.47
#Includes R&R Trans Mount				

2004 Ford New Pickup XLT Pickup F150

AIR CLEANER

4.2L ENG
2005-08



R&I Air Cleaner Assy

- 1 Cleaner Assy, Air
- 2 Cover, Air Cleaner¶
- 3 Element, Cleaner¶
- 4 Sensor, Mass Air Flow¶
- 5 Clamp, Air Cleaner¶
- 6 Harness, Wiring¶

.3		
.4	6L3Z 9600 BA	\$296.52
	5L3Z 9661 B	\$235.45
.2	F5OZ 9601 BA	\$28.62
.4	6L3Z 12B579 A	\$248.04
	F65Z 9628 AA	\$17.83

2005

To 11-29-04
From 11-30-04
2006-08

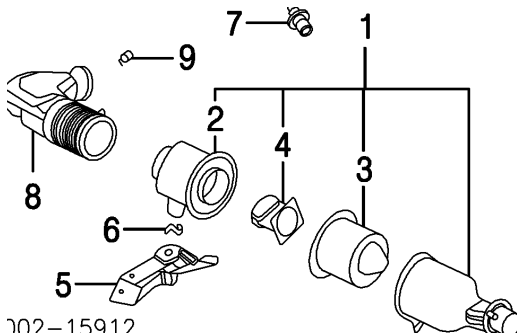
	5L3Z 12A690 AA	\$25.08
	6L3Z 12A690 AA	\$94.23
	6L3Z 12A690 AA	\$94.23

¶Included w/Air Cleaner Assy

- 7 Tube, Air Inlet
- 8 Insulator, Mtg (2)
- 9 Tube, Air Outlet

.2	4L3Z 9F843 A	\$23.45
	F4ZZ 9P686 A	\$4.48
.2	5L3Z 9B659 AA	\$86.98

4.6L ENG



R&I Air Cleaner Assy

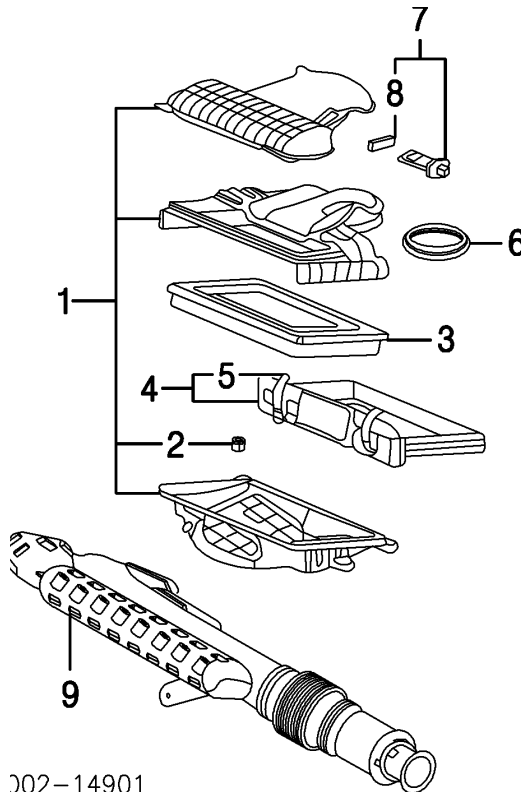
- 1 Cleaner Assy, Air
- 2 Cover, Air Cleaner¶

.3		
04-0	.4 5L3Z 9600 A	\$631.50
06-0	.4 6L3Z 9600 AA	\$290.48
04-0 #.2	4L3Z 9661 AA	\$295.05

2004 Ford New Pickup XLT Pickup F150

3 Element, Cleaner¶	06-0 #.2	6L3Z 9661 AA	\$286.22
4 Sensor, Mass Air Flow¶	#.2	F5OZ 9601 BA	\$28.62
	.4	YC2Z 12B579 BBRM	\$235.11
¶Included w/Air Cleaner Assy			
#R&R Complete			
5 Bracket, Air Cleaner	04-05	4L3Z 9647 AA	\$12.68
	06-08	6L3Z 9647 A	\$11.02
		F4ZZ 9P686 A	\$4.48
6 Insulator, Mtg (2)	.2	F57Z 12A697 A	\$45.04
7 Sensor, Temp	.2	4L3Z 9B659 AA	\$151.98
8 Hose, Air Outlet		F57Z 9N285 A	\$11.65
9 Connector, Hose			

5.4L ENG



002-14901

R&I Air Cleaner Assy

1 Cover Assy, Air Cleaner	04	.3	
		.4	3L3Z 9661 DA \$126.77
2 Bushing, Mtg (4)¶	05-0	.4	5L1Z 9661 AA \$447.37
			3L3Z 9C629 BA \$5.28
¶Included w/Air Cleaner Cover Assy			
3 Element, Cleaner	.2	4L3Z 9601 BA	\$39.78
4 Tray Assy, Inner		5L1Z 9A600 AA	\$130.00
5 Clamp, Air Filter (2) (a)		5L1Z 9628 AA	\$7.45

2004 Ford New Pickup XLT Pickup F150

(a) Included w/Inner Tray Assy

6 Clamp, Air Cleaner	3L3Z 9628 AB	\$10.10
7 Sensor Assy, Mass Air Flow	.4 3L3Z 12B579 BA	\$244.91
8 Gskt, Sensor (b)	3L3Z 12B615 BA	\$10.22

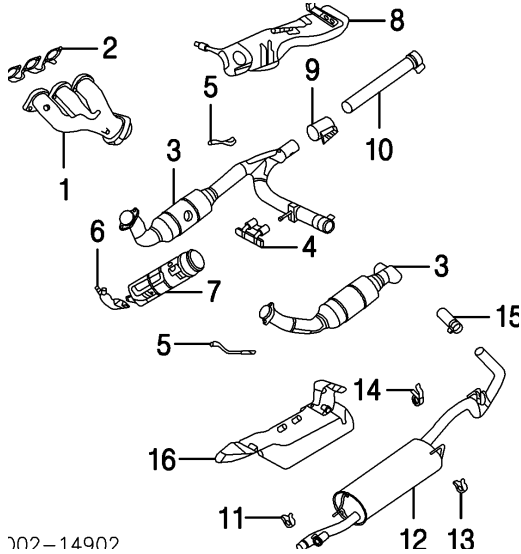
(b) Included w/Mass Air Flow Sensor Assy

9 Inlet, Air	.2 5L3Z 9F721 B	\$53.00
Bracket, Inlet Duct	.2 4L3Z 9A627 AA	\$17.58

2004 Ford New Pickup XLT Pickup F150

EXHAUST

4.2L ENG
2005-08



107-14907

R&I Exhaust System

#2.0

R&R Exhaust System Complete

#2.8

#Does Not Include R&R Exhaust Manifolds

1	Manifold, Exhaust	R	#1.6	5L3Z 9430 AA	\$129.98
		L	#1.0	5L3Z 9431 A	\$161.65
	#R&R Both Sides 2.0				
2	Gskt, Manifold	R		XR3Z 9448 AA	\$11.83
		L		XR3Z 9448 AA	\$11.83
3	Converter, Catalytic				
	Right				
	Man Trans				
	2005-06	R	#2.6	5L3Z 5E212 UA	\$916.67
					2007
	To 4-16-07	R	#2.6	8L3Z 5E212 AB	\$1,000.00
	From 4-17-07	R	#2.6	8L3Z 5E212 AB	\$1,000.00
					2008
	w/Calif Emissions	R	#2.6	8L3Z 5E212 AB	\$1,000.00
	w/o Calif Emissions	R	#2.6	8L3Z 5E212 V	\$916.67
	Auto Trans				
					2005
		R	#2.6	5L3Z 5E212 TB	\$1,166.67
					2006
	To 12-5-05	R	#2.6	5L3Z 5E212 TB	\$1,166.67
	From 12-6-05	R	#2.6	6L3Z 5E212 AC	\$916.67

2004 Ford New Pickup XLT Pickup F150

	2007				
To 4-10-07					
w/Calif Emissions	R	#2.6	8L3Z 5E212 Y	\$1,000.00	
w/o Calif Emissions	R	#2.6	6L3Z 5E212 AC	\$916.67	
From 4-11-07					
w/Calif Emissions	R	#2.6	8L3Z 5E212 Y	\$1,000.00	
w/o Calif Emissions	R	#2.6	8L3Z 5E212 U	\$832.05	
	2008				
w/Calif Emissions	R	#2.6	8L3Z 5E212 Y	\$1,000.00	
w/o Calif Emissions	R	#2.6	8L3Z 5E212 U	\$832.05	
Left					
2005-06	L	#2.4	8L3Z 5E212 G	\$833.33	
	2007				
To 4-10-07					
w/Calif Emissions	L	#2.4	8L3Z 5E212 K	\$1,833.33	
w/o Calif Emissions	L	#2.4	8L3Z 5E212 G	\$833.33	
From 4-11-07					
w/Calif Emissions	L	#2.4	8L3Z 5E212 K	\$1,833.33	
w/o Calif Emissions	L	#2.4	8L3Z 5E212 G	\$833.33	
	2008				
w/Calif Emissions	L	#2.4	8L3Z 5E212 K	\$1,833.33	
w/o Calif Emissions	L	#2.4	8L3Z 5E212 G	\$833.33	
#R&R Both Sides 2.7					
4 Bracket, Converter					
2WD					
w/150" WB			6L3Z 5E269 CA	\$50.52	
w/o 150" WB			4L3Z 5E269 AA	\$39.98	
4WD			4L3Z 5E269 AA	\$39.98	
5 Sensor, Front Oxygen-See Emission System Section					
6 Shield, Front Converter Heat	R	#.2	5L3Z 5E258 BA	\$11.05	
	L	#.2	5L3Z 5K284 AA	\$8.72	
7 Shield, Rear Converter Heat	R	#.2	6L3Z 5E258 A	\$28.00	
	L	#.2	6L3Z 5E258 A	\$28.00	
8 Shield, Front Pipe Heat					
2WD	R	#.3	6L3Z 5G221 EA	\$86.93	
	L	#.3	6L3Z 5G221 EB	\$93.00	
4WD	R	#.3	6L3Z 5G221 AA	\$98.58	
	L	#.3	6L3Z 5G221 AB	\$100.70	
#w/Exhaust System Removed					
9 Clamp, Pipe			4L3Z 5A231 AA	\$34.45	
10 Pipe, Center					

2004 Ford New Pickup XLT Pickup F150

	2005		
126" WB			
Man Trans		.6 4L3Z 5A212 GA	\$51.34
Auto Trans		.6 5L3Z 5A212 MA	\$97.42
145" WB			
Man Trans		.6 4L3Z 5A212 CA	\$65.15
Auto Trans		.6 5L3Z 5A212 NA	\$112.82
	2006		
To 12-5-05			
126" WB			
Man Trans		.6 4L3Z 5A212 GA	\$51.34
Auto Trans		.6 5L3Z 5A212 MA	\$97.42
145" WB			
Man Trans		.6 4L3Z 5A212 CA	\$65.15
Auto Trans		.6 5L3Z 5A212 NA	\$112.82
From 12-6-05			
126" WB			
Man Trans		.6 6L3Z 5A212 GC	\$41.25
Auto Trans		.6 6L3Z 5A212 MC	\$62.46
145" WB		.6 6L3Z 5A212 J	\$110.52
2007-08			
126" WB			
Man Trans		.6 6L3Z 5A212 GC	\$41.25
Auto Trans		.6 6L3Z 5A212 MC	\$62.46
145" WB		.6 6L3Z 5A212 J	\$110.52

¶Add'l Parts &/or Dealer Contact Required

11 Bracket, Front Muffler		4L3Z 5260 AC	\$44.07
12 Muffler¶			
126" WB			
	2005		
To 11-29-04		1.3 4L3Z 5230 A	\$420.90
From 11-30-04			
Man Trans		1.3 4L3Z 5230 A	\$420.90
Auto Trans		1.3 4L3Z 5230 A	\$420.90
2006-07			
Man Trans		1.3 4L3Z 5230 A	\$420.90
Auto Trans		1.3 4L3Z 5230 A	\$420.90
	2008	1.3 4L3Z 5230 A	\$420.90
145" WB			
	2005		
To 11-29-04		1.3 4L3Z 5230 B	\$439.61
From 11-30-04			
Man Trans		1.3 4L3Z 5230 B	\$439.61
Auto Trans		1.3 4L3Z 5230 B	\$439.61

2004 Ford New Pickup XLT Pickup F150

2006-07

Man Trans	1.3	4L3Z 5230 B	\$439.61
Auto Trans	1.3	4L3Z 5230 B	\$439.61

2008	1.3	4L3Z 5230 B	\$439.61
------	-----	-------------	----------

¶Add'l Parts &/or Dealer Contact Required

13 Bracket, Center Muffler		4L3Z 5A246 AB	\$36.28
14 Bracket, Rear Muffler		4L3Z 5260 AB	\$34.00
15 Tip, Chrome Exhaust			

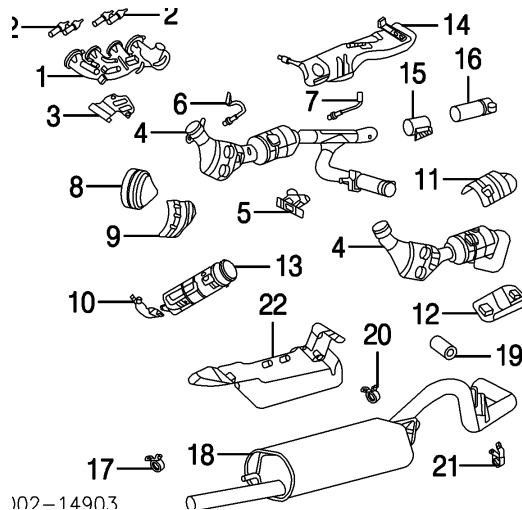
2005

To 11-29-04	.2	4L3Z 5K238 AA	\$75.00
From 11-30-04	.2	3L3Z 5255 A	
2006-08	.2	3L3Z 5255 A	

16 Shield, Muffler Heat			
126" WB	#.3	5L3Z 5A273 CA	\$109.98
145" WB	#.3	5L3Z 5A273 AA	\$105.98

#w/Muffler Removed

4.6L ENG



102-14903

R&I Exhaust System #1.0

R&R Exhaust System Complete #2.8

#Does Not Include R&R Exhaust Manifolds

1 Manifold, Exhaust			
2004-06	R	#4.8	2L1Z 9430 BA \$186.98
	L	#4.8	2L1Z 9431 DA \$141.15
2007-08			
Romeo Eng	R	#4.8	7C3Z 9430 A \$174.52
	L	#4.8	7C3Z 9431 A \$508.18

2004 Ford New Pickup XLT Pickup F150

Windsor Eng	R	#4.8	9L3Z 9430 B	\$123.00	
	L	#4.8	2L1Z 9431 DA	\$141.15	
#R&R Both 5.6					
2 Gskt, Manifold (2/Side)	R		YC2Z 9448 A	\$30.75	
	L		YC2Z 9448 A	\$30.75	
3 Shield, Manifold Heat	L		2L1Z 9Y427 CA	\$11.53	
4 Converter, Catalytic					
Right					
2WD					
	2004	R	#1.6	4L3Z 5E212 JE	\$1,533.33
	2005	R	#1.6	5L3Z 5E212 NB	\$1,333.33
	2006	R	#1.6	6L3Z 5E212 EB	\$916.67
	2007				
w/Calif Emissions					
To 4-10-07	R	#1.6	7L3Z 5E212 CB	\$1,000.00	
From 4-11-07	R	#1.6	8L3Z 5E212 N	\$1,000.00	
w/o Calif Emissions	R	#1.6	8L3Z 5E212 W	\$844.40	
	2008				
w/Calif Emissions	R	#1.6	8L3Z 5E212 N	\$1,000.00	
w/o Calif Emissions	R	#1.6	8L3Z 5E212 W	\$844.40	
4WD					
	2004	R	#1.6	4L3Z 5E212 KD	\$1,583.33
	2005	R	#1.6	5L3Z 5E212 PB	\$916.67
	2006	R	#1.6	6L3Z 5E212 FB	\$916.67
	2007				
To 4-5-07					
w/Calif Emissions	R	#1.6	8L3Z 5E212 P	\$1,373.60	
w/o Calif Emissions	R	#1.6	8L3Z 5E212 X	\$1,000.00	
From 4-6-07					
w/Calif Emissions	R	#1.6	8L3Z 5E212 P	\$1,373.60	
w/o Calif Emissions	R	#1.6	8L3Z 5E212 X	\$1,000.00	
	2008				
w/Calif Emissions	R	#1.6	8L3Z 5E212 P	\$1,373.60	
w/o Calif Emissions	R	#1.6	8L3Z 5E212 X	\$1,000.00	
Left					
2WD					
	2004	L	#1.0	4L3Z 5E212 JD	\$1,388.43
	2005	L	#1.0	5L3Z 5E212 NA	\$1,700.00
	2006	L	#1.0	6L3Z 5E212 EA	\$1,500.00
	2007				
w/Calif Emissions					
To 4-12-07	L	#1.0	8L3Z 5E212 A	\$979.47	
From 4-13-07	L	#1.0	8L3Z 5E212 A	\$979.47	
	2008				
w/Calif Emissions	L	#1.0	8L3Z 5E212 A	\$979.47	
w/o Calif Emissions	L	#1.0	8L3Z 5E212 H	\$750.00	

2004 Ford New Pickup XLT Pickup F150

4WD

2004	L	#1.0	4L3Z 5E212 KC	\$1,500.00
2005	L	#1.0	5L3Z 5E212 PA	\$772.12
2006	L	#1.0	6L3Z 5E212 FA	\$833.33
2007				

To 4-5-07

w/Calif Emissions	L	#1.0	8L3Z 5E212 B	\$1,500.00
w/o Calif Emissions	L	#1.0	8L3Z 5E212 J	\$1,083.33

From 4-6-07

w/Calif Emissions	L	#1.0	8L3Z 5E212 B	\$1,500.00
w/o Calif Emissions	L	#1.0	8L3Z 5E212 J	\$1,083.33

2008

w/Calif Emissions	L	#1.0	8L3Z 5E212 B	\$1,500.00
w/o Calif Emissions	L	#1.0	8L3Z 5E212 J	\$1,083.33

#R&R Both Sides 2.0

5 Bracket, Converter

2WD

w/150" WB			6L3Z 5E269 CA	\$50.52
w/o 150" WB			4L3Z 5E269 AA	\$39.98

4WD

			4L3Z 5E269 AA	\$39.98
--	--	--	---------------	---------

6 Sensor, Front Oxygen-See Emission System Section

7 Sensor, Rear Oxygen-See Emission System Section

Shield, Front Converter Heat

2004

8 Outer	R		4L3Z 5F223 AA	\$13.27
	L		4L3Z 5E258 AB	\$14.82
9 Inner	R		4L3Z 5E258 AA	\$14.82
	L		4L3Z 5F222 AA	\$15.90
10 2005-08	R		5L3Z 5E258 AB	\$11.05
	L		5L3Z 5K284 AA	\$8.72

Shield, Rear Converter Heat

2004

11 Upper	R	#.2	4L3Z 5E258 BA	\$15.88
	L	#.2	4L3Z 5E258 BA	\$15.88
12 Lower	R	#.2	4L3Z 5E258 BA	\$15.88
	L	#.2	4L3Z 5E258 BA	\$15.88
13 2005-08				
2WD	R	#.2	6L3Z 5E258 A	\$28.00
	L	#.2	N.A.	
4WD	R	#.2	6L3Z 5E258 A	\$28.00

2004 Ford New Pickup XLT Pickup F150

	L	#.2	6L3Z 5E258 A	\$28.00
14 Shield, Front Pipe Heat				
2WD	04 R	#.3	4L3Z 5G221 EA	\$100.67
	L	#.3	4L3Z 5G221 BA	\$79.48
	05-0 R	#.3	6L3Z 5G221 EA	\$86.93
	L	#.3	6L3Z 5G221 EB	\$93.00
4WD	04 R	#.3	4L3Z 5G221 AA	\$74.20
	L	#.3	4L3Z 5G221 AB	\$79.48
	05-0 R	#.3	6L3Z 5G221 AA	\$98.58
	L	#.3	6L3Z 5G221 AB	\$100.70

#w/Exhaust System Removed

15 Clamp, Pipe			4L3Z 5A231 AA	\$34.45
16 Pipe, Center				
2004-05				
126" WB		.6	4L3Z 5A212 GA	\$51.34
133" WB		.6	4L3Z 5A212 AA	\$47.70
139" WB		.6	5L3Z 5A212 PB	\$64.48
145" WB		.6	4L3Z 5A212 CA	\$65.15
163" WB		.6	4L3Z 5A212 DA	\$81.42
			2006	
To 12-5-05				
126" WB		.6	4L3Z 5A212 GA	\$51.34
133" WB		.6	4L3Z 5A212 AA	\$47.70
139" WB		.6	5L3Z 5A212 PB	\$64.48
145" WB		.6	4L3Z 5A212 CA	\$65.15
163" WB		.6	4L3Z 5A212 DA	\$81.42
From 12-6-05				
126" WB		.6	6L3Z 5A212 GC	\$41.25
133" WB		.6	6L3Z 5A212 HC	\$56.79
139" WB		.6	6L3Z 5A212 JC	\$64.48
145" WB		.6	6L3Z 5A212 J	\$110.52
150" WB		.6	6L3Z 5A212 A	\$68.73
163" WB		.6	6L3Z 5A212 LC	\$84.67
2007-08				
126" WB		.6	6L3Z 5A212 GC	\$41.25
133" WB		.6	6L3Z 5A212 HC	\$56.79
139" WB		.6	6L3Z 5A212 JC	\$64.48
145" WB		.6	6L3Z 5A212 J	\$110.52
150" WB		.6	6L3Z 5A212 A	\$68.73
163" WB		.6	6L3Z 5A212 LC	\$84.67
17 Bracket, Front Muffler			4L3Z 5260 AC	\$44.07
18 Muffler				
126" WB, 133" WB		1.3	4L3Z 5230 A	\$420.90
139" WB, 145" WB		1.3	4L3Z 5230 B	\$439.61
150" WB, 163" WB		1.3	4L3Z 5230 B	\$439.61

2004 Ford New Pickup XLT Pickup F150

19 Tip, Chrome Exhaust				
	2004		.2 4L3Z 5K238 AA	\$75.00
	2005			
To 11-29-04			.2 4L3Z 5K238 AA	\$75.00
From 11-30-04			.2 2L3Z 5K238 AA	\$75.00
2006-08			.2 2L3Z 5K238 AA	\$75.00
20 Bracket, Center Muffler			4L3Z 5A246 AB	\$36.28
21 Bracket, Rear Muffler			4L3Z 5260 AB	\$34.00
22 Shield, Muffler Heat				
	2004			
126" WB, 133" WB		#.3	4L3Z 5A273 CA	\$121.87
139" WB		#.3	4L3Z 5A273 BA	\$103.47
145" WB, 163" WB		#.3	4L3Z 5A273 AC	\$103.47
2005-08				
126" WB, 133" WB		#.3	5L3Z 5A273 CA	\$109.98
139" WB		#.3	5L3Z 5A273 BA	\$111.28
145" WB, 150" WB, 163" WB		#.3	5L3Z 5A273 AA	\$105.98
#w/Muffler Removed				
5.4L ENG				
R&I Exhaust System		#2.0		
R&R Exhaust System Complete		#2.8		
#Does Not Include R&R Exhaust Manifolds				
1 Manifold, Exhaust		R #5.2	7C3Z 9430 A	\$174.52
		L #5.2	7L1Z 9431 A	\$125.20
#R&R Both 6.0				
2 Gskt, Manifold (2/Side)		R	3L3Z 9448 A	\$10.26
		L	3L3Z 9448 A	\$10.26
3 Shield, Manifold Heat		L	2L1Z 9Y427 CA	\$11.53
4 Converter, Catalytic 2WD				
	2004			
To 12-22-03		R #1.6	4L3Z 5E212 CE	\$2,000.00
		L #1.0	4L3Z 5E212 CD	\$1,666.67
From 12-23-03				
w/Calif Emissions		R #1.6	4L3Z 5E212 CE	\$2,000.00
		L #1.0	4L3Z 5E212 CD	\$1,666.67
w/o Calif Emissions		R #1.6	4L3Z 5E212 RB	\$2,000.00
		L #1.0	4L3Z 5E212 RA	\$1,666.67
	2005			
w/Calif Emissions		R #1.6	4L3Z 5E212 CE	\$2,000.00
		L #1.0	4L3Z 5E212 CD	\$1,666.67
w/o Calif Emissions		R #1.6	6L3Z 5E212 GD	\$1,166.67

2004 Ford New Pickup XLT Pickup F150

	2006	L	#1.0	6L3Z 5E212 GA	\$1,033.33
To 8-8-05					
w/Calif Emission		R	#1.6	4L3Z 5E212 CE	\$2,000.00
		L	#1.0	4L3Z 5E212 CD	\$1,666.67
w/o Calif Emission		R	#1.6	6L3Z 5E212 GD	\$1,166.67
		L	#1.0	6L3Z 5E212 GA	\$1,033.33
From 8-9-05 to 12-5-05					
w/Flex Fuel		R	#1.6	6L3Z 5E212 GD	\$1,166.67
		L	#1.0	6L3Z 5E212 GA	\$1,033.33
w/o Flex Fuel		R	#1.6	6L3Z 5E212 GD	\$1,166.67
		L	#1.0	4L3Z 5E212 CD	\$1,666.67
From 12-6-05					
w/Flex Fuel		R	#1.6	8L3Z 5E212 Z	\$1,083.33
		L	#1.0	6L3Z 5E212 GA	\$1,033.33
w/o Flex Fuel		R	#1.6	8L3Z 5E212 Z	\$1,083.33
		L	#1.0	4L3Z 5E212 CD	\$1,666.67
	2007				
w/Flex Fuel		R	#1.6	8L3Z 5E212 Z	\$1,083.33
		L	#1.0	6L3Z 5E212 GA	\$1,033.33
w/o Flex Fuel		R	#1.6	8L3Z 5E212 Z	\$1,083.33
		L	#1.0	8L3Z 5E212 L	\$916.67
	2008				
w/Calif Emissions					
w/Flex Fuel		R	#1.0	8L3Z 5E212 Q	\$1,166.67
		L	#1.0	8L3Z 5E212 C	\$1,166.67
w/o Flex Fuel		R	#1.0	8L3Z 5E212 Z	\$1,083.33
		L	#1.0	8L3Z 5E212 L	\$916.67
w/o Calif Emissions		R	#1.0	8L3Z 5E212 S	\$1,166.67
		L	#1.0	8L3Z 5E212 E	\$800.52
4WD					
	2004				
To 12-22-03		R	#1.6	4L3Z 5E212 GE	\$2,000.00
		L	#1.0	4L3Z 5E212 GD	\$2,000.00
From 12-23-03					
w/Calif Emissions		R	#1.6	4L3Z 5E212 GE	\$2,000.00
		L	#1.0	4L3Z 5E212 GD	\$2,000.00
w/o Calif Emissions		R	#1.6	4L3Z 5E212 SB	\$1,750.00
		L	#1.0	4L3Z 5E212 SA	\$1,500.00
	2005				
w/Calif Emissions		R	#1.6	4L3Z 5E212 GE	\$2,000.00
		L	#1.0	4L3Z 5E212 GD	\$2,000.00
w/o Calif Emissions		R	#1.6	8L3Z 5E212 T	\$1,000.00
		L	#1.0	8L3Z 5E212 M	\$1,083.33
	2006				
To 8-8-05					

2004 Ford New Pickup XLT Pickup F150

w/Calif Emission	R	#1.6	4L3Z 5E212 GE	\$2,000.00
	L	#1.0	4L3Z 5E212 GD	\$2,000.00
w/o Calif Emission	R	#1.6	8L3Z 5E212 T	\$1,000.00
	L	#1.0	8L3Z 5E212 M	\$1,083.33
From 8-9-05				
w/Flex Fuel	R	#1.6	8L3Z 5E212 T	\$1,000.00
	L	#1.0	8L3Z 5E212 M	\$1,083.33
w/o Flex Fuel	R	#1.6	8L3Z 5E212 T	\$1,000.00
	L	#1.0	4L3Z 5E212 GD	\$2,000.00
		2007		
w/Flex Fuel	R	#1.6	8L3Z 5E212 T	\$1,000.00
	L	#1.0	8L3Z 5E212 M	\$1,083.33
w/o Flex Fuel	R	#1.6	8L3Z 5E212 T	\$1,000.00
	L	#1.0	4L3Z 5E212 GD	\$2,000.00
		2008		
w/Calif Emissions				
w/Flex Fuel	R	#1.6	8L3Z 5E212 R	\$1,166.67
	L	#1.0	8L3Z 5E212 D	\$1,166.67
w/o Flex Fuel	R	#1.6	8L3Z 5E212 AA	\$1,166.67
	L	#1.0	8L3Z 5E212 M	\$1,083.33
w/o Calif Emissions	R	#1.6	8L3Z 5E212 T	\$1,000.00
	L	#1.0	8L3Z 5E212 F	\$799.80
#R&R Both Sides 2.0				
5 Bracket, Converter				
2WD				
w/150" WB			6L3Z 5E269 CA	\$50.52
w/o 150" WB			4L3Z 5E269 AA	\$39.98
4WD			4L3Z 5E269 AA	\$39.98
6 Sensor, Front Oxygen-See Emission System Section				
7 Sensor, Rear Oxygen-See Emission System Section				
Shield, Front Converter Heat				
2004-05				
8 Outer	R		4L3Z 5F223 AA	\$13.27
	L		4L3Z 5E258 AB	\$14.82
9 Inner	R		4L3Z 5E258 AA	\$14.82
	L		4L3Z 5F222 AA	\$15.90
10 2006-08	R		N.A.	
	L		N.A.	
Shield, Rear Converter Heat				
2004-05				

2004 Ford New Pickup XLT Pickup F150

11	Upper	R	#.2	4L3Z 5E258 BA	\$15.88
		L	#.2	4L3Z 5E258 BA	\$15.88
12	Lower	R	#.2	4L3Z 5E258 BA	\$15.88
		L	#.2	4L3Z 5E258 BA	\$15.88
13	2006-08				
	2WD	R	#.2	6L3Z 5E258 A	\$28.00
		L	#.2	N.A.	
	4WD	R	#.2	6L3Z 5E258 A	\$28.00
		L	#.2	6L3Z 5E258 A	\$28.00

¶Order by Application

14	Shield, Front Pipe Heat				
	2WD	04	R #.3	4L3Z 5G221 EA	\$100.67
			L #.3	4L3Z 5G221 BA	\$79.48
		05-0	R #.3	6L3Z 5G221 EA	\$86.93
			L #.3	6L3Z 5G221 EB	\$93.00
	4WD	04	R #.3	4L3Z 5G221 AA	\$74.20
			L #.3	4L3Z 5G221 AB	\$79.48
		05-0	R #.3	6L3Z 5G221 AA	\$98.58
			L #.3	6L3Z 5G221 AB	\$100.70

#w/Exhaust System Removed

15	Clamp, Pipe			4L3Z 5A231 AA	\$34.45
16	Pipe, Center				
	2004-05				
	126" WB		.6	4L3Z 5A212 GA	\$51.34
	133" WB		.6	4L3Z 5A212 AA	\$47.70
	139" WB		.6	5L3Z 5A212 PB	\$64.48
	145" WB		.6	4L3Z 5A212 CA	\$65.15
	163" WB		.6	4L3Z 5A212 DA	\$81.42
		2006			
	To 12-5-05				
	126" WB		.6	4L3Z 5A212 GA	\$51.34
	133" WB		.6	4L3Z 5A212 AA	\$47.70
	139" WB		.6	5L3Z 5A212 PB	\$64.48
	145" WB		.6	4L3Z 5A212 CA	\$65.15
	163" WB		.6	4L3Z 5A212 DA	\$81.42
	From 12-6-05				
	126" WB		.6	6L3Z 5A212 GC	\$41.25
	133" WB		.6	6L3Z 5A212 HC	\$56.79
	139" WB		.6	6L3Z 5A212 JC	\$64.48
	145" WB		.6	6L3Z 5A212 J	\$110.52
	150" WB		.6	6L3Z 5A212 A	\$68.73
	163" WB		.6	6L3Z 5A212 LC	\$84.67
	2007-08				
	126" WB		.6	6L3Z 5A212 GC	\$41.25
	133" WB		.6	6L3Z 5A212 HC	\$56.79

2004 Ford New Pickup XLT Pickup F150

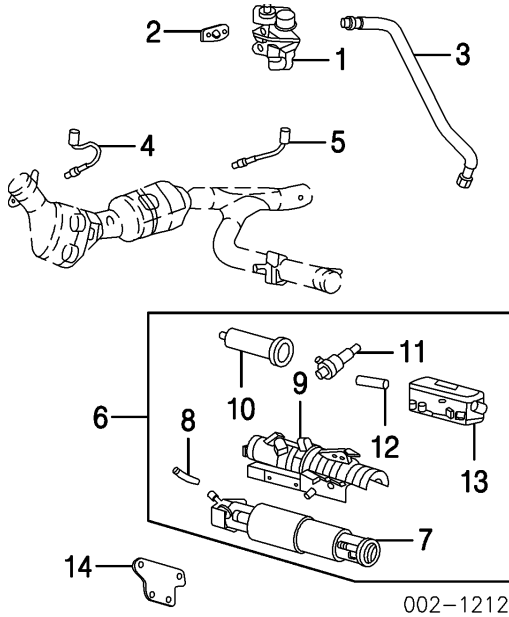
139" WB		.6	6L3Z 5A212 JC	\$64.48
145" WB		.6	6L3Z 5A212 J	\$110.52
150" WB		.6	6L3Z 5A212 A	\$68.73
163" WB		.6	6L3Z 5A212 LC	\$84.67
17 Bracket, Front Muffler			4L3Z 5260 AC	\$44.07
18 Muffler				
2004-05				
126" WB, 133" WB		1.3	8L3Z 5230 D	\$412.64
139" WB, 145" WB, 163" WB		1.3	6L3Z 5230 EA	\$366.54
	2006			
To 8-8-05				
126" WB, 133" WB		1.3	8L3Z 5230 D	\$412.64
139" WB, 145" WB, 163" WB		1.3	6L3Z 5230 EA	\$366.54
From 8-9-05				
Dual Pipe		1.3	6L3Z 5230 AA	\$402.81
Single Pipe				
126" WB, 133" WB		1.3	8L3Z 5230 D	\$412.64
139" WB, 145" WB		1.3	6L3Z 5230 EA	\$366.54
150" WB, 163" WB		1.3	6L3Z 5230 EA	\$366.54
2007-08				
Dual Pipe		1.3	7L3Z 5230 AA	\$450.25
Single Pipe				
126" WB, 133" WB		1.3	8L3Z 5230 D	\$412.64
139" WB, 145" WB		1.3	6L3Z 5230 EA	\$366.54
150" WB, 163" WB		1.3	6L3Z 5230 EA	\$366.54
19 Tip, Chrome Exhaust				
	2004	.2	4L3Z 5K238 AA	\$75.00
	2005			
To 11-29-04		.2	4L3Z 5K238 AA	\$75.00
From 11-30-04		.2	2L3Z 5K238 AA	\$75.00
	2006			
To 8-8-05		.2	2L3Z 5K238 AA	\$75.00
From 8-9-05				
Dual Pipe, (2)		.2	N.A.	
Single Pipe		.2	2L3Z 5K238 AA	\$75.00
2007-08				
Dual Pipe, (2)		.2	N.A.	
Single Pipe		.2	2L3Z 5K238 AA	\$75.00
20 Bracket, Center Muffler			4L3Z 5A246 AB	\$36.28
21 Bracket, Rear Muffler			4L3Z 5260 AB	\$34.00
22 Shield, Muffler Heat				
	2004			
126" WB, 133" WB		#.3	4L3Z 5A273 CA	\$121.87
139" WB		#.3	4L3Z 5A273 BA	\$103.47

2004 Ford New Pickup XLT Pickup F150

145" WB, 163" WB	#.3	4L3Z 5A273 AC	\$103.47
2005-08			
126" WB, 133" WB	#.3	5L3Z 5A273 CA	\$109.98
139" WB	#.3	5L3Z 5A273 BA	\$111.28
145" WB, 163" WB	#.3	5L3Z 5A273 AA	\$105.98
150" WB	06-0 #.3	5L3Z 5A273 AA	\$105.98
#w/Muffler Removed			

2004 Ford New Pickup XLT Pickup F150

EMISSION SYSTEM



1 Valve, EGR				
4.2L Eng		05-0 #.8	5F2Z 9D475 A	\$184.20
4.6L Eng		04-0 #.8	5L3Z 9D475 A	\$175.42
		07-0 #.8	7L3Z 9D475 B	\$171.91
2 Gskt, EGR Valve		#.8	2W7Z 9D476 AA	\$28.22
3 Tube, EGR				
4.2L Eng		05-0 #.8	5L3Z 9D477 AC	\$100.82
4.6L Eng		04-0 #.8	3L3Z 9D477 A	\$81.65
		07-0 #.8	7L3Z 9D477 A	\$36.65
#R&R Complete				
4 Sensor, Front Oxygen	R	#.5	XL3Z 9F472 AA	\$117.53
	L	#.5	XL3Z 9F472 AA	\$117.53
5 Sensor, Rear Oxygen	R	#.5	4L3Z 9G444 AA	\$113.64
	L	#.5	4L3Z 9G444 AA	\$113.64
#Each Additional .3				
6 Canister Assy, Vapor		.8	4L3Z 9D653 AA	\$471.96
7 Canister, Vapor		.9	4L3Z 9D653 BA	\$428.04
8 Hose, Canister			4L3Z 9K318 AA	\$25.00
9 Brkt, Upper Canister			4L3Z 9D665 AA	\$159.76
10 Filter, Canister				
4.2L Eng-Serviced w/Vapor Canister				
4.6L, 5.4L Eng		.9	3S4Z 9F675 AA	\$123.46
11 Solenoid, Canister				
4.2L Eng		05-0	.8 5U5Z 9F945 DA	\$74.53
4.6L Eng				

2004 Ford New Pickup XLT Pickup F150

2004-05		.8 4L3Z 9F945 AA	\$75.00
	2006		
To 8-8-05		.8 4L3Z 9F945 AA	\$75.00
From 8-9-05		.8 6L3Z 9F945 A	\$61.67
2007-08		.8 6L3Z 9F945 A	\$61.67
5.4L Eng	04	.8 1C2Z 9F945 AA	\$74.53
	05-0	.8 5U5Z 9F945 DA	\$74.53
12 Hose, Solenoid¶		4L3Z 9K324 BA	\$9.00
13 Separator, Vapor¶		.8 F87Z 9B328 AB	\$22.22
¶Included w/Vapor Canister Assy			
14 Brkt, Lower Canister			
4.6L, 5.4L Eng		4L3Z 9D665 BA	\$17.53

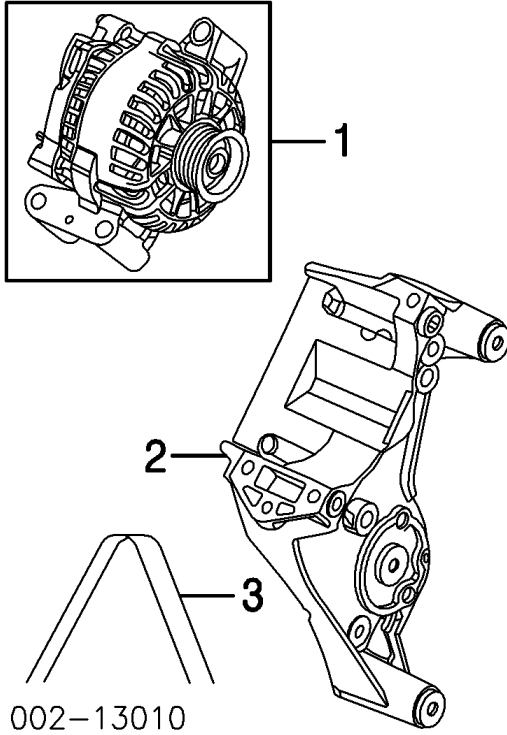
2004 Ford New Pickup XLT Pickup F150

ELECTRICAL

ALTERNATOR

4.2L ENG

2005-08



1 Alternator

New

Remanufactured

Bolt, Alternator

Type 1, (2)

Type 2

2 Bracket, Alternator

Bolt, Bracket

Type 1, (3)

Type 2

3 Belt, Drive-See Cooling Section

.7 7L3Z 10346 BRM \$285.00

.7 6L3Z 10V346 BARM \$265.62

* N805424 S437 \$3.75

* N808873 S437 \$4.00

1L3Z 10A313 AA \$91.13

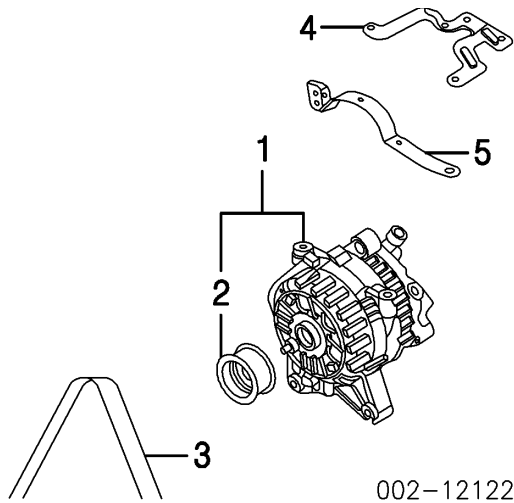
* N808871 S437 \$8.25

* N808111 S437 \$5.61

ALTERNATOR

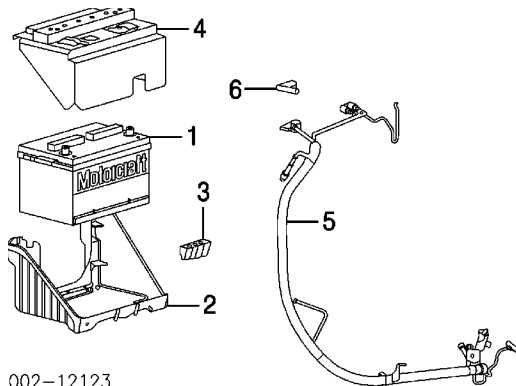
4.6L, 5.4L ENG

2004 Ford New Pickup XLT Pickup F150



1 Alternator Assy		.9 7L3Z 10346 A	\$376.67
2 Pulley, Alternator¶	#.2	F5AZ 10344 A	\$27.42
¶Included w/Alternator Assy			
#w/Alternator Removed			
3 Belt, Drive-See Cooling Section			
Bracket, Mounting			
4 4.6L Eng	04-06	2L1Z 10153 EA	\$22.40
	07-08	7L3Z 10153 A	\$19.16
5 5.4L Eng	04-06	4L3Z 10153 BA	\$21.67
	07-08	5L1Z 10153 A	\$16.49

BATTERY

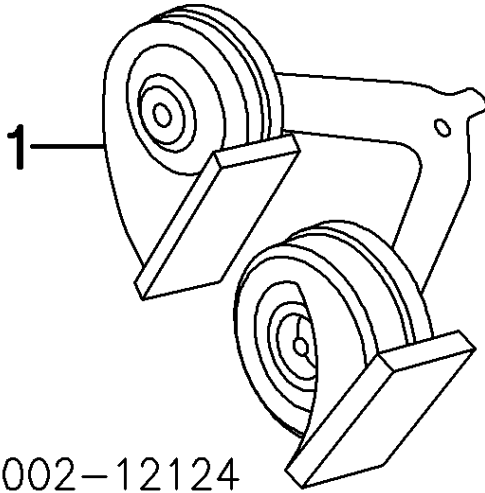


1 Battery		.2 N.A.	
2 Tray, Battery		F65Z 10732 AE	\$19.98
3 Hold-Down, Battery		F75Z 10718 AA	\$5.98
Bolt, Hold-Down		* N808480 S100	\$1.56
4 Shield, Battery Heat		1L3Z 10A682 AA	\$28.98
5 Cable Set, Battery			

2004 Ford New Pickup XLT Pickup F150

2004-05				
4.2L Eng	05	1.3	5L3Z 14300 AA	\$113.06
4.6L Eng		1.3	6L3Z 14300 AA	\$113.06
5.4L Eng		1.3	6L3Z 14300 BA	\$93.32
	2006			
To 8-8-05				
4.2L Eng		1.3	5L3Z 14300 AA	\$113.06
4.6L Eng		1.3	6L3Z 14300 AA	\$113.06
5.4L Eng		1.3	6L3Z 14300 BA	\$93.32
From 8-9-05				
4.2L Eng		1.3	6L3Z 14300 CA	\$98.70
4.6L Eng		1.3	6L3Z 14300 AA	\$113.06
5.4L Eng		1.3	6L3Z 14300 BA	\$93.32
2007-08				
4.2L Eng		1.3	6L3Z 14300 CA	\$98.70
4.6L Eng		1.3	6L3Z 14300 AA	\$113.06
5.4L Eng		1.3	6L3Z 14300 BA	\$93.32
6 Cover, Terminal			4L3Z 14277 AA	\$8.98

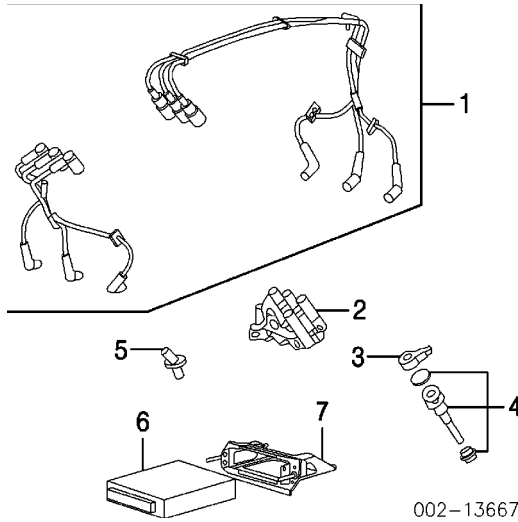
HORN



1 Horn Kit		.3	4L3Z 13832 BA	\$58.63
------------	--	----	---------------	---------

IGNITION
4.2L ENG
2005-08

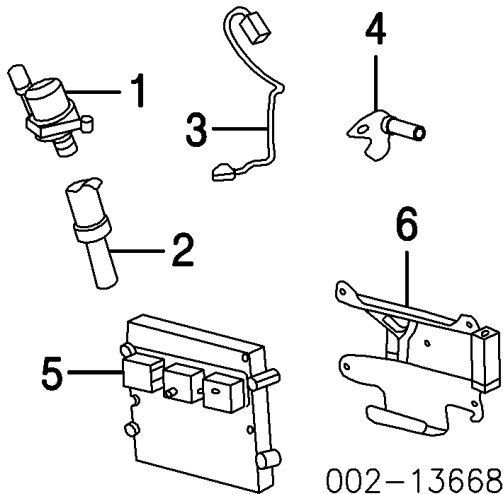
2004 Ford New Pickup XLT Pickup F150



1 Wire Set, Ignition		.5 3L3Z 12259 AB	\$96.97
2 Coil, Ignition		.6 5F2Z 12029 AD	\$142.56
3 Sensor, Camshaft	#2.7	1F1Z 6B288 BA	\$35.26
4 Synchronizer, Camshaft	#2.7	F6TZ 12A362 CB	\$191.78
#R&R Complete			
5 Sensor, Crank Position	1.3	4F2Z 6C315 BA	\$50.69
Sensor, Knock	.9	2R3Z 12A699 AA	\$31.00
6 Module, Engine Control¶			
Man Trans	.7	5L3Z 12A650 BNB	\$612.62
Auto Trans	.7	5U7Z 12A650 GPA	\$662.29
¶Order by Application			
7 Bracket, Module	05-06	5L7Z 12A659 AA	\$24.08
	07-08	6L3Z 12A659 AA	\$24.72

IGNITION

4.6L, 5.4L ENG

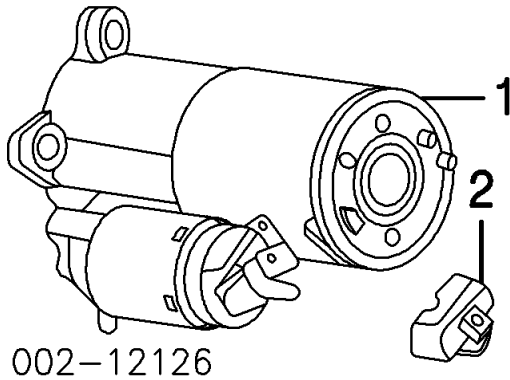


2004 Ford New Pickup XLT Pickup F150

R&R Ignition Coils Complete

			1.5	
1	Coil, Ignition (8)			
	4.6L Eng	#.5	3W7Z 12029 AA	\$92.58
	5.4L Eng	#.5	3L3Z 12029 BA	\$79.58
	#Each Additional .2			
2	Boot, Coil (8)			
	4.6L Eng		F7TZ 12A402 AA	\$13.00
	5.4L Eng		3L3Z 12A402 BA	\$10.00
3	Sensor, Knock			
	4.6L Eng	1.3	XL3Z 12A699 AA	\$72.00
	5.4L Eng¶¶	1.3	4L3Z 12A699 AA	\$41.00
	¶¶Order by Application			
4	Sensor, Crank Position		.9 1W7Z 6C315 AB	\$48.98
5	Module, Ign Control¶¶			
	4.6L Eng	.8	5L3Z 12A650 BXA	\$662.29
	5.4L Eng	.8	5U7Z 12A650 DVB	\$686.46
	¶¶Order by Application			
6	Bracket, Module	04-06	5L7Z 12A659 AA	\$24.08
		07-08	6L3Z 12A659 AA	\$24.72

STARTER

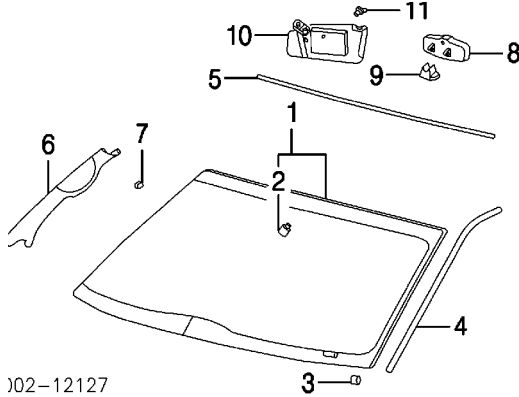


1	Starter			
	4.2L Eng			
	New	05-0	.7 6L3Z 11002 DA	\$210.28
	Remanufactured	05	.7 XL1Z 11002 AARM	\$202.28
		06-0	.7 6L3Z 11V002 CRM	
	4.6L, 5.4L Eng			
	New	.9	9L3Z 11002 A	\$205.75
	Remanufactured			
		2004	.9 F81Z 11002 AARM	\$184.78
		2005		
	To 2-22-05	.9	F81Z 11002 AARM	\$184.78
	From 2-23-05	.9	6L3Z 11V002 DRM	
	2006-08	.9	6L3Z 11V002 DRM	
2	Cover, Terminal		F6VZ 11N087 AB	

2004 Ford New Pickup XLT Pickup F150

WINDSHIELD

Procedure 13



02-12127

R&I Windshield

#3.0

#Includes Clean Up Old Adhesive as Necessary

1 Glass Assy, Windshield

Ford

2004-05

#2.5

4L3Z 1503100 AA

\$304.95

2006

To 8-8-05

#2.5

4L3Z 1503100 AA

\$304.95

From 8-9-05

F150 Logo

#2.5

4L3Z 1503100 AA

\$304.95

Harley-Davidson Logo

#2.5

6L3Z 1503100 AA

\$419.53

2007-08

F150 Logo

#2.5

4L3Z 1503100 AA

\$304.95

Harley-Davidson Logo

#2.5

6L3Z 1503100 AA

\$419.53

NAGS

F150 Logo

Green

#2.5

DW01529GTY

\$477.30

Green/Blue Shade

#2.5

DW01529GBY

\$481.15

Harley-Davidson Logo

06-0 #2.5

DW01621GBY

#Includes Clean Up Old Adhesive as Necessary

2 Base, Mirror (a)

F7AZ 17698 BA

\$20.00

(a) Included w/Windshield Glass Assy

Adhesive, Glass

N.A.

3 Stop, Glass

R

9L3Z 14030A12 A

\$7.28

L

9L3Z 14030A12 A

\$7.28

4 Moulding Assy, Front Drip-See Cab Section

2004 Ford New Pickup XLT Pickup F150

5 Moulding, Upper Windshield		.2	4L3Z 1503144 AA	\$20.92
6 Garnish, Inside Windshield				
Black	R	.2	4L3Z 1503598 AAA	\$58.40
	L	.2	4L3Z 1503599 AAA	\$58.40
Flint	R	.2	4L3Z 1503598 AAB	\$58.40
	L	.2	4L3Z 1503599 AAB	\$68.62
Pebble	R	.2	4L3Z 1503598 AAC	\$58.40
	L	.2	4L3Z 1503599 AAC	\$66.62
7 Cap, Garnish (2/Side)				
Black	R		4L3Z 5431458 AAA	\$5.68
	L		4L3Z 5431458 AAA	\$5.68
Flint	R		4L3Z 5431458 AAB	\$5.68
	L		4L3Z 5431458 AAB	\$5.68
Pebble	R		4L3Z 5431458 AAC	\$5.68
	L		4L3Z 5431458 AAC	\$5.68
8 Mirror, Rear View				
Factory Installed				
Manual		.2	6U5Z 17700 A	\$25.28
Electrochromic				
2004-07		.2	6U5Z 17700 AA	\$125.07
	2008			
w/Rear View Camera		.2	8U5Z 17700 A	\$819.92
w/o Rear View Camera		.2	8U5Z 17700 N	\$163.27
Dealer Installed				
w/Temperature Display				
w/Homelink		.2	4L3Z 17700 B	\$392.86
w/o Homelink		.2	XF2Z 17700 A	\$427.14
w/o Temperature Display				
w/Homelink		.2	4L3Z 17700 A	\$464.29
w/o Homelink		.2	F6AZ 17700 A	\$284.29
9 Compass				
Man Mirror	04-06		6L2Z 19A548 A	\$37.40
	07-08		6L2Z 19A548 A	\$37.40
Electrochromic Mirror	04-08		4C5Z 19A548 AA	\$63.60
10 Visor, Sun				
Regular Cab				
2004-05				
Flint	R	.2	4L3Z 1504104 BAB	\$66.58
	L	.2	4L3Z 1504105 BAB	\$66.58
Pebble	R	.2	4L3Z 1504104 BAA	\$61.65
	L	.2	4L3Z 1504105 BAA	\$66.58
	2006			
To 8-8-05				
Flint	R	.2	4L3Z 1504104 BAB	\$66.58
	L	.2	4L3Z 1504105 BAB	\$66.58

2004 Ford New Pickup XLT Pickup F150

Pebble	R	.2	4L3Z 1504104 BAA	\$61.65
	L	.2	4L3Z 1504105 BAA	\$66.58
From 8-9-05¶				
Flint	R	.2	6L3Z 1504104 DB	\$67.82
	L	.2	6L3Z 1504105 CB	\$81.62
Pebble	R	.2	6L3Z 1504104 DA	\$98.70
	L	.2	6L3Z 1504105 CA	\$82.43
2007-08¶				
Flint	R	.2	6L3Z 1504104 DB	\$67.82
	L	.2	6L3Z 1504105 CB	\$81.62
Pebble	R	.2	6L3Z 1504104 DA	\$98.70
	L	.2	6L3Z 1504105 CA	\$82.43

Extended Cab, Crew Cab¶

Right

Illum Mirror

Flint	R	.2	4L3Z 1504104 CAB	\$105.97
Pebble	R	.2	4L3Z 1504104 CAA	\$105.97

Non-Illum Mirror

Flint	R	.2	4L3Z 1504104 BAB	\$66.58
Pebble	R	.2	4L3Z 1504104 BAA	\$61.65

Left

Illum Mirror

w/Homelink

Flint	L	.2	4L3Z 1804105 AAB	\$368.27
Pebble	L	.2	4L3Z 1804105 AAA	\$389.72

w/o Homelink

Flint	L	.2	5L3Z 1804105 AAB	\$381.25
Pebble	L	.2	5L3Z 1804105 AAA	\$342.35

Non-Illum Mirror

Flint	L	.2	4L3Z 1504105 BAB	\$66.58
Pebble	L	.2	4L3Z 1504105 BAA	\$66.58

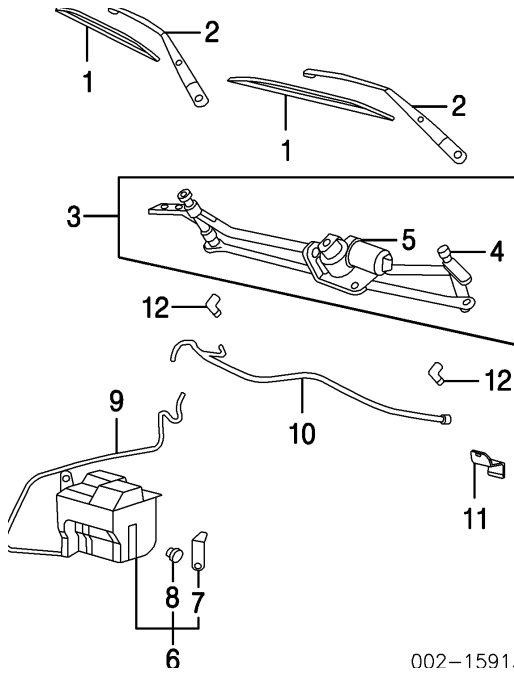
¶Order by Application

11 Holder, Visor

Flint	R		4L3Z 1504132 AAB	\$9.88
	L		4L3Z 1504132 AAB	\$9.88
Pebble	R		4L3Z 1504132 AAA	\$9.88
	L		4L3Z 1504132 AAA	\$9.88

WIPER SYSTEM

2004 Ford New Pickup XLT Pickup F150



002-15913

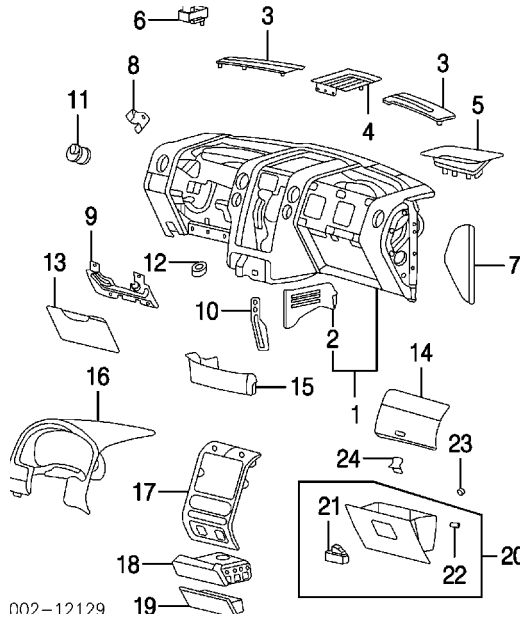
1 Blade, Wiper Standard 2004-06	R	.1	YF1Z 17528 AB	\$12.91
	L	.1	YF1Z 17528 AB	\$12.91
			2007	
To 8-22-06	R	.1	YF1Z 17528 AB	\$12.91
	L	.1	YF1Z 17528 AB	\$12.91
From 8-23-06	R	.1	3L1Z 17528 AA	\$14.91
	L	.1	3L1Z 17528 AA	\$14.91
			2008	
Winter	R	.1	4U2Z 17528 HA	\$12.91
	L	.1	4U2Z 17528 HA	\$12.91
2 Arm, Wiper	R	#.2	9L3Z 17526 A	\$14.75
	L	#.2	9L3Z 17527 A	\$14.75
#Includes R&R Wiper Blade				
3 Linkage Assy, Wiper 2004-07- Serviced by Components				
			2008	
4 Linkage/Motor, Wiper (a)	04-0	1.0	9L3Z 17508 C	\$204.78
	08	1.0	8L3Z 17566 AA	
5 Motor, Wiper (a) 2004-07- Serviced w/Wiper Linkage Assy				

2004 Ford New Pickup XLT Pickup F150

	2008		8L3Z 17508 B	\$136.07
(a) Included w/Wiper Linkage Assy				
6 Reservoir Assy, Washer		#.5	7L3Z 17618 AA	\$46.42
7 Pump, Washer¶				
2004-05		#.5	7R3Z 17664 A	\$36.42
	2006			
To 12-15-05		#.5	7R3Z 17664 A	\$36.42
From 12-16-05		#.5	8C3Z 17664 A	\$40.49
2007-08		#.5	8C3Z 17664 A	\$40.49
#R&R Complete				
8 Seal, Pump¶			E6FZ 17B610 A	\$3.50
¶Included w/Washer Reservoir Assy				
9 Hose, Front Washer (a)			N.A.	
10 Hose, Rear Washer (a)			N.A.	
(a) Cut to Fit				
11 Bracket, Mounting			F65Z 15020B74 AA	\$17.02
12 Nozzle, Washer	04-0	R	.2 3W7Z 17603 AA	\$10.98
		L	.2 3W7Z 17603 AA	\$10.98
	08	R	.2 8L3Z 17603 A	\$4.22
		L	.2 8L3Z 17603 A	\$4.22

INSTRUMENT PANEL

Procedure 14



000-12129

R&I Instrument Panel

6.0

NOTE: All Parts in this section are included in R&R Instrument Panel unless noted otherwise.

1 Panel Assy, Instrument

2004-05

XL, STX, XLT Model

Flint

8.5 6L3Z 1504320 EA \$1,044.63

Pebble

8.5 6L3Z 1504320 EB \$1,385.13

FX4, Lariat Model

w/Flow Thru Console

8.5 6L3Z 1504320 GA \$1,243.65

w/o Flow Thru Console

8.5 6L3Z 1504320 FA \$1,485.62

King Ranch Model

05

8.5 6L3Z 1504320 GA \$1,243.65

2006

To 8-8-05

XL, STX, XLT Model

Flint

8.5 6L3Z 1504320 EA \$1,044.63

Pebble

8.5 6L3Z 1504320 EB \$1,385.13

FX4, Lariat Model

w/Flow Thru Console

8.5 6L3Z 1504320 GA \$1,243.65

w/o Flow Thru Console

8.5 6L3Z 1504320 FA \$1,485.62

King Ranch Model

8.5 6L3Z 1504320 GA \$1,243.65

From 8-9-05

XL, STX, XLT Model

Flint

8.5 6L3Z 1504320 EA \$1,044.63

2004 Ford New Pickup XLT Pickup F150

Pebble		8.5	6L3Z	1504320	EB	\$1,385.13
FX4, Lariat Model						
w/Flow Thru Console		8.5	6L3Z	1504320	GA	\$1,243.65
w/o Flow Thru Console		8.5	6L3Z	1504320	FA	\$1,485.62
King Ranch Model		8.5	6L3Z	1504320	GA	\$1,243.65
Harley-Davidson Model		8.5	6L3Z	1504320	JA	\$2,287.20
2007-08						
XL, STX, XLT Model						
Flint		8.5	7L3Z	1504320	EA	\$1,447.57
Pebble		8.5	7L3Z	1504320	EB	\$1,244.63
FX4, Lariat Model						
w/Flow Thru Console		8.5	7L3Z	1504320	GB	\$1,454.42
w/o Flow Thru Console		8.5	7L3Z	1504320	FA	\$1,449.32
FX2, King Ranch Model		8.5	7L3Z	1504320	GB	\$1,454.42
Limited Model	08	8.5	7L3Z	1504320	GB	\$1,454.42
Harley-Davidson Model		8.5	7L3Z	1504320	JA	\$3,483.08
2 Panel, Finish¶						
w/Flow Thru Console						
2004-05		R	.2	4L3Z	1504608	AAA \$29.65
		L	.2	4L3Z	1504609	AAA \$35.22
	2006					
To 8-8-05		R	.2	4L3Z	1504608	AAA \$29.65
		L	.2	4L3Z	1504609	AAA \$35.22
From 8-9-05						
w/Harley-Davidson Model		R	.2	6L3Z	1504608	AA \$33.17
		L	.2	6L3Z	1504609	AA \$35.83
w/o Harley-Davidson Model		R	.2	4L3Z	1504608	AAA \$29.65
		L	.2	4L3Z	1504609	AAA \$35.22
2007-08						
w/Harley-Davidson Model		R	.2	6L3Z	1504608	AA \$33.17
		L	.2	6L3Z	1504609	AA \$35.83
w/o Harley-Davidson Model		R	.2	4L3Z	1504608	AAA \$29.65
		L	.2	4L3Z	1504609	AAA \$35.22
¶Included w/Instrument Panel Assy						
3 Grille, Defroster						
Right						
Black						
	2004					
To 4-14-04		R	.2	4L3Z	15044E82	AAA \$99.60

2004 Ford New Pickup XLT Pickup F150

From 4-15-04	R	.2	4L3Z 15044E82 AAD	\$35.70
2005-08	R	.2	4L3Z 15044E82 AAD	\$35.70
Flint				
	2004			
To 4-14-04	R	.2	4L3Z 15044E82 AAB	\$129.30
From 4-15-04	R	.2	4L3Z 15044E82 AAE	\$29.53
2005-08	R	.2	4L3Z 15044E82 AAE	\$29.53
Pebble				
	2004			
To 4-14-04	R	.2	4L3Z 15044E82 AAC	\$37.72
From 4-15-04	R	.2	4L3Z 15044E82 AAF	\$33.07
2005-08	R	.2	4L3Z 15044E82 AAF	\$33.07
Left				
Black	L	.2	4L3Z 15044E82 BAA	\$20.18
Flint	L	.2	4L3Z 15044E82 BAB	\$17.28
Pebble	L	.2	4L3Z 15044E82 BAC	\$33.07
4 Tray Assy, Center				
2004-06		.2	4L3Z 15042A82 AAA	\$29.38
2007-08				
w/Clock		.2	4L3Z 15042A82 AAA	\$29.38
w/o Clock		.2	7L3Z 15042A82 AA	\$42.43
Mat, Tray (d)				
2004-06			4L3Z 15045G34 AAB	\$17.63
2007-08				
w/Clock			4L3Z 15045G34 AAB	\$17.63
w/o Clock			7L3Z 15045G34 AA	\$51.13
(d) Included w/Center Tray Assy				
5 Module, Passenger Air Bag-See Air Bag System Section				
6 Sensor, Sun				
w/Auto Lamps		.3	YF1Z 13A018 AA	\$47.00
7 Panel, Side				
Black	R	.2	4L3Z 1504480 AAA	\$16.27
	L	.2	4L3Z 1504481 AAA	\$16.27
Flint	R	.2	4L3Z 1504480 AAB	\$16.27
	L	.2	4L3Z 1504481 AAB	\$14.43
Pebble	R	.2	4L3Z 1504480 AAC	\$16.27
	L	.2	4L3Z 1504481 AAC	\$14.22
8 Brkt, Side Inst Panel	L		4L3Z 15045D56 AA	\$15.12
9 Reinf, Inst Panel	L		4L3Z 15017A26 AA	\$21.78
10 Brkt, Center Inst Panel	R		4L3Z 15045F38 AA	\$26.92
	L		4L3Z 15045B00 AA	\$11.32
11 Grille, Vent (4)				
Aluminum Finish			8L3Z 19893 BA	\$36.95

2004 Ford New Pickup XLT Pickup F150

Black Finish				
w/Chrome Ring		8L3Z 19893 CA		\$41.12
w/o Chrome Ring		8L3Z 19893 AA		\$33.98
12 Tray, Coin		4L3Z 15519C36 AAA		\$7.47
13 Panel, Drivers Finish				
Black	L	.2 4L3Z 1504459 AAA		\$40.35
Flint	L	.2 4L3Z 1504459 AAB		\$40.35
Pebble	L	.2 4L3Z 1504459 AAC		\$40.35
14 Panel, Pass Finish				
Black	R	.2 4L3Z 1504338 AAA		\$63.13
Flint	R	.2 4L3Z 1504338 AAB		\$52.27
Pebble	R	.2 4L3Z 1504338 AAC		\$51.88
15 Panel, Lower				
w/o Flow Thru Console				
			2004	
2WD		.2 4L3Z 1504608 BAA		\$34.50
4WD				
w/Elect Transfer Case		.2 4L3Z 1504608 BAA		\$34.50
w/o Elect Transfer Case		.2 4L3Z 1504608 CAA		\$38.42
2005-08				
Man Trans		.2 5L3Z 1504608 AAA		\$34.77
Auto Trans				
2WD		.2 4L3Z 1504608 BAA		\$34.50
4WD				
w/Elect Transfer Case		.2 4L3Z 1504608 BAA		\$34.50
w/o Elect Transfer Case		.2 4L3Z 1504608 CAA		\$38.42
16 Bezel, Inst Cluster				
XL, STX, XLT Model				
Adjustable Foot Pedals				
Flint		.8 4L3Z 15044D70 DAA		\$162.77
Pebble		.8 4L3Z 15044D70 DAB		\$136.12
Fixed Foot Pedals				
Flint		.8 4L3Z 15044D70 AAA		\$130.63
Pebble		.8 4L3Z 15044D70 AAB		\$130.97
FX2 Model	07-0	.8 6L3Z 15044D70 DA		\$166.08
FX4 Model				
2004-05				
Adjustable Foot Pedals		.8 4L3Z 15044D70 EAA		\$212.70
Fixed Foot Pedals		.8 4L3Z 15044D70 BAA		\$208.47
			2006	
To 8-8-05				
Adjustable Foot Pedals		.8 4L3Z 15044D70 EAA		\$212.70

2004 Ford New Pickup XLT Pickup F150

Fixed Foot Pedals		.8	4L3Z 15044D70 BAA	\$208.47
From 8-9-05 to 12-5-05				
Adjustable Foot Pedals		.8	6L3Z 15044D70 DA	\$166.08
Fixed Foot Pedals		.8	6L3Z 15044D70 AA	\$160.00
From 12-6-05				
w/Plus Pkg		.8	4L3Z 15044D70 CAA	\$247.92
w/o Plus Pkg				
Adjustable Foot Pedals		.8	6L3Z 15044D70 DA	\$166.08
Fixed Foot Pedals		.8	6L3Z 15044D70 AA	\$160.00
2007-08				
w/Plus Pkg		.8	4L3Z 15044D70 CAA	\$247.92
w/o Plus Pkg				
Adjustable Foot Pedals		.8	6L3Z 15044D70 DA	\$166.08
Fixed Foot Pedals		.8	6L3Z 15044D70 AA	\$160.00
Lariat Model				
Black		.8	4L3Z 15044D70 CAA	\$247.92
Pebble		.8	4L3Z 15044D70 CAB	\$235.77
King Ranch Model	05-0	.8	5L3Z 15044D70 AAA	\$210.67
Harley-Davidson Model	06-0	.8	N.A.	
Limited Model	08	.8	N.A.	
17 Bezel, Center Inst Panel				
XL, STX, XLT Model				
2004-05				
w/Rear Object Sensors		.4	4L3Z 1504302 BAA	\$56.32
w/o Rear Object Sensors		.4	4L3Z 1504302 AAA	\$57.50
	2006			
To 8-8-05				
w/Rear Object Sensors		.4	4L3Z 1504302 BAA	\$56.32
w/o Rear Object Sensors		.4	4L3Z 1504302 AAA	\$57.50
From 8-9-05				
w/Traction Control				
w/Rear Object Sensors		.4	6L3Z 1504302 BA	\$52.50
w/o Rear Object Sensors		.4	6L3Z 1504302 AA	\$67.77
w/o Traction Control				
w/Rear Object Sensors		.4	4L3Z 1504302 BAA	\$56.32
w/o Rear Object Sensors		.4	4L3Z 1504302 AAA	\$57.50

2004 Ford New Pickup XLT Pickup F150

2007-08

w/Traction Control

w/Rear Object Sensors .4 6L3Z 1504302 BA \$52.50

w/o Rear Object Sensors .4 6L3Z 1504302 AA \$67.77

w/o Traction Control

w/Rear Object Sensors .4 4L3Z 1504302 BAA \$56.32

w/o Rear Object Sensors .4 4L3Z 1504302 AAA \$57.50

FX2 Model (b)

w/Flow Thru Console

w/Rear Object Sensors 07-0 .4 6L3Z 1504302 AE \$85.32

w/o Rear Object Sensors 07-0 .4 6L3Z 1504302 AD \$86.92

w/o Flow Thru Console

w/Rear Object Sensors 07-0 .4 6L3Z 1504302 AC \$85.13

w/o Rear Object Sensors 07-0 .4 6L3Z 1504302 AB \$104.23

FX4 Model

w/Flow Thru Console

2004-05

w/Rear Object Sensors .4 4L3Z 1504302 MAA \$104.45

w/o Rear Object Sensors .4 4L3Z 1504302 LAA \$102.30

2006

To 12-5-05

w/Rear Object Sensors .4 4L3Z 1504302 MAA \$104.45

w/o Rear Object Sensors .4 4L3Z 1504302 LAA \$102.30

From 12-6-05 (b)

w/Rear Object Sensors .4 6L3Z 1504302 AE \$85.32

w/o Rear Object Sensors .4 6L3Z 1504302 AD \$86.92

2007-08 (b)

w/Rear Object Sensors .4 6L3Z 1504302 AE \$85.32

w/o Rear Object Sensors .4 6L3Z 1504302 AD \$86.92

w/o Flow Thru Console

2004-05

2004 Ford New Pickup XLT Pickup F150

w/Rear Object Sensors	.4	4L3Z 1504302 FAA	\$125.42
w/o Rear Object Sensors	.4	4L3Z 1504302 EAA	\$106.53

2006

To 12-5-05

w/Rear Object Sensors	.4	4L3Z 1504302 FAA	\$125.42
w/o Rear Object Sensors	.4	4L3Z 1504302 EAA	\$106.53

From 12-6-05 (b)

w/Rear Object Sensors	.4	6L3Z 1504302 AC	\$85.13
w/o Rear Object Sensors	.4	6L3Z 1504302 AB	\$104.23

2007-08 (b)

w/Rear Object Sensors	.4	6L3Z 1504302 AC	\$85.13
w/o Rear Object Sensors	.4	6L3Z 1504302 AB	\$104.23

Lariat Model

w/Flow Thru Console

2004-05

w/Rear Object Sensors	.4	4L3Z 1504302 SAA	\$98.68
w/o Rear Object Sensors	.4	4L3Z 1504302 RAA	\$110.58

2006

To 8-8-05

w/Rear Object Sensors	.4	4L3Z 1504302 SAA	\$98.68
w/o Rear Object Sensors	.4	4L3Z 1504302 RAA	\$110.58

From 8-9-05 (b)

w/Rear Object Sensors	.4	6L3Z 1504302 FA	\$112.83
w/o Rear Object Sensors	.4	6L3Z 1504302 EA	\$88.97

2007-08

w/Traction Control

w/Rear Object Sensors	.4	6L3Z 1504302 FA	\$112.83
w/o Rear Object Sensors	.4	6L3Z 1504302 EA	\$88.97

w/o Traction Control

2004 Ford New Pickup XLT Pickup F150		
w/Rear Object Sensors	.4	5L3Z 1504302 SAA \$104.30
w/o Rear Object Sensors	.4	5L3Z 1504302 RAA \$101.53
w/o Flow Thru Console		
	2004	
w/Rear Object Sensors	.4	4L3Z 1504302 KAA \$140.77
w/o Rear Object Sensors	.4	4L3Z 1504302 JAA \$114.42
	2005	
w/Rear Object Sensors	.4	5L3Z 1504302 KAB \$125.27
w/o Rear Object Sensors	.4	5L3Z 1504302 JAB \$127.83
	2006	
To 8-8-05		
w/Rear Object Sensors	.4	5L3Z 1504302 KAB \$125.27
w/o Rear Object Sensors	.4	5L3Z 1504302 JAB \$127.83
From 8-9-05 (b)		
w/Rear Object Sensors	.4	6L3Z 1504302 DA \$93.47
w/o Rear Object Sensors	.4	6L3Z 1504302 CA \$98.47
2007-08		
w/Traction Control		
w/Rear Object Sensors	.4	6L3Z 1504302 DA \$93.47
w/o Rear Object Sensors	.4	6L3Z 1504302 CA \$98.47
w/o Traction Control		
w/Rear Object Sensors	.4	5L3Z 1504302 KAB \$125.27
w/o Rear Object Sensors	.4	5L3Z 1504302 JAB \$127.83
King Ranch Model		
	2005	
w/Rear Object Sensors	.4	5L3Z 1504302 JAA \$104.52
w/o Rear Object Sensors	.4	5L3Z 1504302 KAA \$98.20
	2006	
To 8-8-05		
w/Rear Object Sensors	.4	5L3Z 1504302 JAA \$104.52

2004 Ford New Pickup XLT Pickup F150

w/o Rear Object Sensors		.4	5L3Z 1504302 KAA	\$98.20
From 8-9-05				
w/Traction Control				
w/Rear Object Sensors		.4	6L3Z 1504302 HA	\$94.03
w/o Rear Object Sensors		.4	6L3Z 1504302 GA	\$94.03
w/o Traction Control				
w/Rear Object Sensors		.4	5L3Z 1504302 JAA	\$104.52
w/o Rear Object Sensors		.4	5L3Z 1504302 KAA	\$98.20

2007-08

w/Traction Control				
w/Rear Object Sensors		.4	6L3Z 1504302 HA	\$94.03
w/o Rear Object Sensors		.4	6L3Z 1504302 GA	\$94.03
w/o Traction Control				
w/Rear Object Sensors		.4	5L3Z 1504302 JAA	\$104.52
w/o Rear Object Sensors		.4	5L3Z 1504302 KAA	\$98.20

Harley-Davidson Model

w/Traction Control				
w/Rear Object Sensors	06-0	.4	6L3Z 1504302 KA	\$130.22
w/o Rear Object Sensors	06-0	.4	6L3Z 1504302 JA	\$95.83
w/o Traction Control				
w/Rear Object Sensors	06-0	.4	6L3Z 1504302 MA	\$102.12
w/o Rear Object Sensors	06-0	.4	6L3Z 1504302 LA	\$103.93

Limited Model (b)

w/Rear Object Sensors	08	.4	8L3Z 1504302 DB	\$141.80
w/o Rear Object Sensors	08	.4	8L3Z 1504302 CB	\$141.80

(b) Order by Application

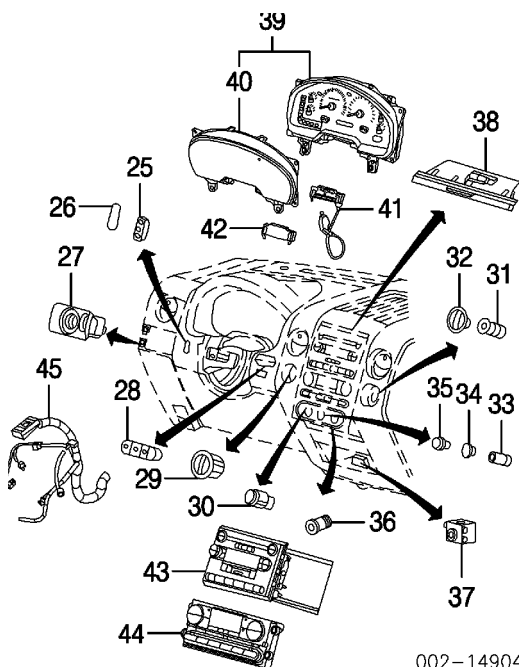
18 Ashtray

XL, STX, XLT Model			6L3Z 1504810 AA	\$76.27
FX2 Model	07-08		4L3Z 1504810 CAA	\$91.87
FX4 Model				
w/Flow Thru Console			4L3Z 1504810 CAA	\$91.87
w/o Flow Thru Console			6L3Z 1504810 BA	\$114.25
Lariat Model				
w/Flow Thru Console	04		4L3Z 1504810 CAB	\$92.53

2004 Ford New Pickup XLT Pickup F150

	05-08	5L3Z 1504810 AAB	\$89.57
w/o Flow Thru Console	04	4L3Z 1504810 BAB	\$113.25
	05-08	6L3Z 1504810 BB	\$114.25
King Ranch Model	05-08	5L3Z 1504810 AAA	\$92.58
Harley-Davidson Model	06-07	6L3Z 1504810 BC	\$102.50
	08	8L3Z 1504810 AA	\$127.38
Limited Model	08	8L3Z 1504810 BA	\$131.00
19 Pocket, Storage			
w/o Flow Thru Console			
2WD			
Regular Cab		4L3Z 1513594 CAA	\$31.58
Extended Cab, Crew Cab		4L3Z 1513594 AAA	\$26.27
4WD			
w/Elect Transfer Case			
Regular Cab		4L3Z 1513594 CAA	\$31.58
Extended Cab, Crew Cab		4L3Z 1513594 AAA	\$26.27
w/o Elect Transfer Case			
Regular Cab		4L3Z 1513594 DAA	\$43.67
Extended Cab, Crew Cab		4L3Z 1513594 BAA	\$39.42
20 Box Assy, Glove			
Black	.3	4L3Z 1506024 AAA	\$341.28
Flint	.3	4L3Z 1506024 AAB	\$341.28
Pebble	.3	4L3Z 1506024 AAC	\$341.28
21 Latch, Glove Box (a)			
Black	.2	4L3Z 1506072 AAA	\$14.83
Flint	.2	4L3Z 1506072 AAB	\$12.38
Pebble	.2	4L3Z 1506072 AAC	\$12.87
22 Check, Glove Box (a)	R	YS4Z 6106066 AA	\$8.40
	L	YS4Z 6106066 AA	\$8.40
(a) Included w/Glove Box Assy			
23 Bumper, Glove Box	R	* N805645 S	\$1.67
	L	* N805645 S	\$1.67
24 Striker, Glove Box		4L3Z 2506064 A	\$10.51

2004 Ford New Pickup XLT Pickup F150



002-14904

25 Switch, Pedal Adjust		.3	1L2Z 9G604 AB	\$35.98
26 Plug, Switch				
Fixed Foot Pedals				
Black			5L3Z 19K357 AAA	\$9.40
Pebble			5L3Z 19K357 AAB	\$9.40
27 Switch, Lighting (b)				
XL, STX, XLT Model				
w/Auto Lamps				
w/Fog Lamps				
Flint	04	.3	4L3Z 11654 CAE	\$133.22
	05-0	.3	7L3Z 11654 CA	\$90.11
	07-0	.3	7L3Z 11654 CA	\$90.11
Pebble	04	.3	4L3Z 11654 CAF	\$133.22
	05-0	.3	7L3Z 11654 CC	\$101.87
w/o Fog Lamps				
Flint	04	.3	4L3Z 11654 DAC	\$94.04
	05-0	.3	7L3Z 11654 DC	\$101.89
Pebble	04	.3	4L3Z 11654 DAD	\$133.22
	05-0	.3	7L3Z 11654 DD	\$94.04
w/o Auto Lamps				
w/Fog Lamps				
Flint	04	.3	4L3Z 11654 BAC	\$133.22
	05-0	.3	7L3Z 11654 BA	\$90.13
Pebble	04	.3	4L3Z 11654 BAD	\$133.22
	05-0	.3	7L3Z 11654 BB	\$101.87
w/o Fog Lamps				

2004 Ford New Pickup XLT Pickup F150

Flint	04	.3	4L3Z 11654 AAC	\$133.22
	05-0	.3	7L3Z 11654 AA	\$86.20
Pebble	04	.3	4L3Z 11654 AAD	\$133.22
	05-0	.3	7L3Z 11654 AB	\$99.93
FX2 Model	07-0	.3	N.A.	
FX4, Lariat Model	04	.3	4L3Z 11654 CAD	\$90.13
	05-0	.3	7L3Z 11654 CB	\$97.96
King Ranch Model	05-0	.3	N.A.	
Harley-Davidson Model	06-0	.3	7L3Z 11654 EB	\$205.73
Limited Model	08	.3	N.A.	
(b) Order by Application				
28 Switch, Message Center				
2004-05		.3	2L1Z 10D996 AAB	\$80.90
	2006			
To 12-5-05		.3	2L1Z 10D996 AAB	\$80.90
From 12-6-05		.3	6L3Z 10D889 AA	\$53.42
2007-08		.3	6L3Z 10D889 AA	\$53.42
Plug, Switch				
w/o Message Center	06-0	.3	6L1Z 19K357 BA	\$15.69
29 Switch, Trans Control		.3	7L3Z 14B166 BA	\$77.60
30 Switch, Traction Control	06		6L3Z 2C418 AAA	\$26.95
	07-08		7L3Z 2C418 A	
31 Socket, Power			1L2Z 19N236 BA	\$12.00
32 Cover, Socket			4L3Z 19A487 BAA	\$7.63
33 Lighter, Cigarette				
2004-05			XC3Z 15055 AA	\$11.59
	2006			
To 8-8-05			XC3Z 15055 AA	\$11.59
From 8-9-05			6W7Z 15055 A	\$11.59
2007-08			6W7Z 15055 A	\$11.59
34 Ring, Lighter				
2004-05			F81Z 15K040 AA	\$11.66
	2006			
To 8-8-05			F81Z 15K040 AA	\$11.66
From 8-9-05			1L2Z 15K040 AA	\$14.17
2007-08			1L2Z 15K040 AA	\$14.17
35 Element, Lighter				
2004-05			XF2Z 15052 AA	\$10.34
	2006			
To 8-8-05			XF2Z 15052 AA	\$10.34
From 8-9-05			1F2Z 15052 AA	\$10.10
2007-08			1F2Z 15052 AA	\$10.10
36 Switch, Parking Aid			4L3Z 15A860 AAA	\$33.33
37 Switch, Deactivation-See Air Bag System Section				

2004 Ford New Pickup XLT Pickup F150

38 Indicator, Pass Air Bag-See Air Bag System Section

39 Cluster Assy, Instrument (b)	#.8	4L3Z 10849 GA	\$352.31
#Includes R&R Cluster Bezel			
40 Cover, Cluster (b) (c)		4L3Z 10890 AA	\$27.60
(b) Order by Application			
(c) Included w/Instrument Cluster Assy			
41 Indicator, Shift			
Column Shift	.4	4L3Z 7A110 AA	\$22.92
42 Plate, Indicator			
Floor Shift			
Man Trans		5L3Z 7B100 AA	\$9.15
Auto Trans			
FX2 Model	07	7L3Z 7B100 B	\$21.98
FX4 Model		4L3Z 7B100 CA	\$12.82
Lariat Model		4L3Z 7B100 BA	\$12.85
King Ranch Model	05-07	5L3Z 7B100 BA	\$14.65
43 Radio, AM-FM/Cass/CD (b)			
w/Premium Sound			
w/6 Disc Changer	.5	4L3Z 18806 CA	
w/o 6 Disc Changer	.5	4L3Z 18806 BA	
w/o Premium Sound			
w/6 Disc Changer	.5	4L3Z 18806 AA	
w/o 6 Disc Changer			
w/Clock	.5	4L3Z 18806 HA	
w/o Clock	.5	4L3Z 18806 AD	
(b) Order by Application			
44 Control Unit, A/C /Heater			
w/ATC			
2004			
Heated Rear Window			
Heated Driver Seat	.4	4L3Z 19980 DB	\$397.88
Non-Heated Driver Seat	.4	4L3Z 19980 BD	\$372.28
Non-Heated Rear Window			
Heated Driver Seat	.4	4L3Z 19980 CD	\$379.75
Non-Heated Driver Seat	.4	4L3Z 19980 AD	\$378.30

2005

To 11-29-04

Heated Rear Window

2004 Ford New Pickup XLT Pickup F150

Heated Driver Seat	.4	4L3Z 19980 DB	\$397.88
Non-Heated Driver Seat	.4	4L3Z 19980 BD	\$372.28
Non-Heated Rear Window			
Heated Driver Seat	.4	4L3Z 19980 CD	\$379.75
Non-Heated Driver Seat	.4	4L3Z 19980 AD	\$378.30
From 11-30-04			
Heated Rear Window			
Heated Driver Seat	.4	7L3Z 19980 J	\$355.13
Non-Heated Driver Seat	.4	7L3Z 19980 B	\$394.92
Non-Heated Rear Window			
Heated Driver Seat	.4	7L3Z 19980 H	\$424.18
Non-Heated Driver Seat	.4	7L3Z 19980 A	\$394.27
2006-07			
Heated Rear Window			
Heated Driver Seat	.4	7L3Z 19980 J	\$355.13
Non-Heated Driver Seat	.4	7L3Z 19980 B	\$394.92
Non-Heated Rear Window			
Heated Driver Seat	.4	7L3Z 19980 H	\$424.18
Non-Heated Driver Seat	.4	7L3Z 19980 A	\$394.27
2008			
To 8-20-07			
Heated Rear Window			
Heated Driver Seat	.4	7L3Z 19980 J	\$355.13
Non-Heated Driver Seat	.4	7L3Z 19980 B	\$394.92
Non-Heated Rear Window			
Heated Driver Seat	.4	7L3Z 19980 H	\$424.18
Non-Heated Driver Seat	.4	7L3Z 19980 A	\$394.27
From 8-21-07			
Heated Rear Window			
Heated Driver Seat	.4	8L3Z 19980 DA	\$319.30
Non-Heated Driver Seat	.4	8L3Z 19980 BA	\$322.87
Non-Heated Rear Window			

2004 Ford New Pickup XLT Pickup F150			
Heated Driver Seat	.4	8L3Z 19980 CA	\$329.05
Non-Heated Driver Seat	.4	8L3Z 19980 AA	\$317.58
w/o ATC			
2004			
Heated Rear Window	.4	4L3Z 19980 GB	\$273.03
Non-Heated Rear Window			
Heated Driver Mirror	.4	4L3Z 19980 EB	\$269.10
Non-Heated Driver Mirror	.4	4L3Z 19980 FB	\$261.28
2005			
To 11-29-04			
Heated Rear Window	.4	4L3Z 19980 GB	\$273.03
Non-Heated Rear Window			
Heated Driver Mirror	.4	4L3Z 19980 EB	\$269.10
Non-Heated Driver Mirror	.4	4L3Z 19980 FB	\$261.28
From 11-30-04			
Heated Rear Window	.4	6L3Z 19980 CA	\$165.00
Non-Heated Rear Window			
Heated Driver Mirror	.4	7L3Z 19980 D	\$258.25
Non-Heated Driver Mirror	.4	7L3Z 19980 C	\$207.98
2006			
Heated Rear Window	.4	6L3Z 19980 CA	\$165.00
Non-Heated Rear Window			
Heated Driver Mirror	.4	7L3Z 19980 D	\$258.25
Non-Heated Driver Mirror	.4	7L3Z 19980 C	\$207.98
2007-08			
Heated Rear Window	.4	7L3Z 19980 E	\$273.73
Non-Heated Rear Window			
Heated Driver Mirror	.4	7L3Z 19980 D	\$258.25
Non-Heated Driver Mirror	.4	7L3Z 19980 C	\$207.98
45 Harness, Main Wiring (b)			
w/Memory	04	4L3Z 14401 HA	\$577.68
	05-06	5L3Z 14401 KA	\$525.75
	07	7L3Z 14401 FA	\$351.90
	08	8L3Z 14401 NA	\$415.15
w/o Memory			

2004 Ford New Pickup XLT Pickup F150

w/ATC	04	4L3Z 14401 GA	\$579.82
	05-06	5L3Z 14401 GA	\$525.77
	07	7L3Z 14401 NA	\$420.80
	08	8L3Z 14401 KA	\$362.15
w/o ATC	04	4L3Z 14401 BA	\$567.08
	05-06	5L3Z 14401 BA	\$454.03
	07	7L3Z 14401 LA	\$349.78
	08	8L3Z 14401 MA	\$415.15

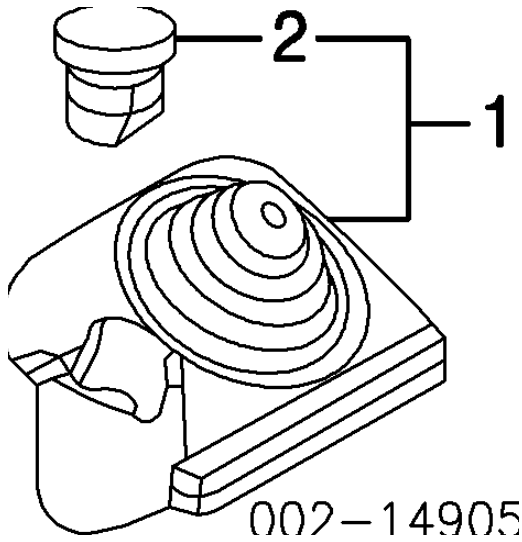
(b) Order by Application

2004 Ford New Pickup XLT Pickup F150

CENTER CONSOLE

Procedure 14

CONSOLETTA
MAN TRANS



R&I Consolette

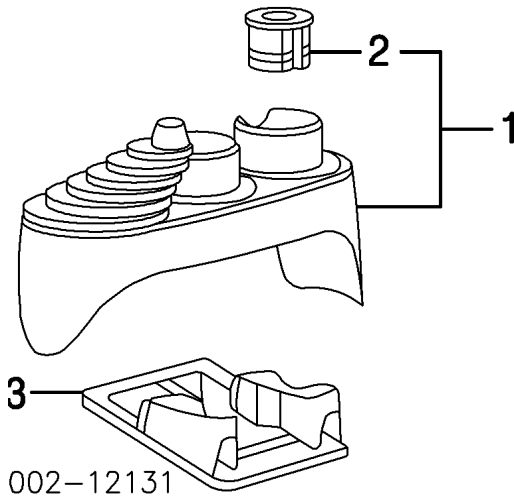
- 1 Consolette Assy
- 2 Ashtray†

05-0
05-08

.3
.3 5L3Z 15045A36 AAA \$80.30
1L2Z 7804810 AAA \$35.29

†Included w/Consolette Assy

CONSOLETTA
AUTO TRANS



R&I Consolette

- 1 Consolette Assy
- 2 Ashtray†

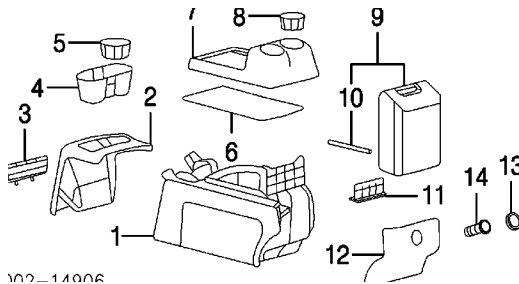
.3
.4 4L3Z 15045A36 CAA \$98.87
.2 YL8Z 7804810 AAA \$24.22

2004 Ford New Pickup XLT Pickup F150

¶Included w/Console Ass'y

3 Plate, Blanking		
w/Elect Transfer Case	4L3Z 7479 AB	\$42.53
w/o Elect Transfer Case	4L3Z 7277 AA	\$26.23

FULL CONSOLE



102-14906

R&I Center Console

.5

NOTE: All Parts in this section are included in R&R Center Console unless noted otherwise.

1 Console, Center				
Flint	04-0	.8	8L3Z 15045A36 DA	\$356.60
	08	.8	8L3Z 15045A36 DA	\$356.60
Pebble		.8	8L3Z 15045A36 DB	\$426.62
2 Panel, Front Console				
Flint		.3	4L3Z 15045A76 BAA	\$150.53
Pebble		.3	4L3Z 15045A76 BAB	\$125.98
3 Insert, Panel				
Flint			4L3Z 15044C72 AAA	\$73.57
Pebble			4L3Z 15044C72 AAB	\$87.88
4 Holder, Front Cup			4L3Z 1513562 AAA	\$40.37
5 Insert, Cup Holder (2)			2L1Z 7813562 AAA	\$13.67
6 Mat, Console			4L3Z 15045G34 BAA	\$18.72
7 Panel, Upper Console				
Flint		.2	4L3Z 1504567 AAC	\$195.53
Pebble		.2	4L3Z 1504567 AAB	\$177.53
8 Holder, Rear Cup (2)			2L7Z 7813562 AAA	\$12.98
9 Lid Assy, Console				
Flint		.2	5L3Z 1506024 BAB	\$115.28
Pebble		.2	5L3Z 1506024 BAC	\$96.07
10 Strap, Lid ¶				
	2004		4L3Z 15642A96 AAA	\$9.37
	2005			
	To 11-29-04		4L3Z 15642A96 AAA	\$9.37

From 11-30-04-Serviced w/Console Lid Ass'y

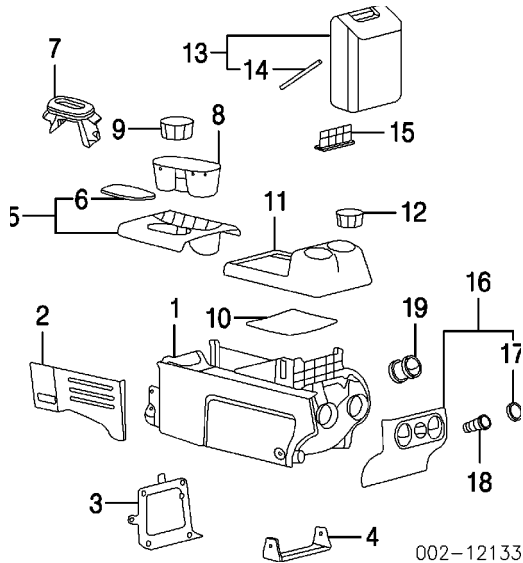
2004 Ford New Pickup XLT Pickup F150

2006-08-Serviced w/Console Lid Assy

¶Included w/Console Lid Assy

11 Hinge, Console Lid	4L3Z 1506050 AAA	\$21.57
12 Panel, Rear Console		
2004-06		
Flint	.3 4L3Z 18045E24 BAB	\$92.13
Pebble	.3 4L3Z 18045E24 BAC	\$92.13
	2007	
To 12-4-06		
Flint	.3 4L3Z 18045E24 BAB	\$92.13
Pebble	.3 4L3Z 18045E24 BAC	\$92.13
From 12-5-06		
Flint	.3 7L3Z 18045E24 BA	\$54.62
Pebble	.3 7L3Z 18045E24 BB	\$45.13
	2008	
Flint	.3 7L3Z 18045E24 BA	\$54.62
Pebble	.3 7L3Z 18045E24 BB	\$45.13
13 Cover, Power Socket	4L3Z 19A487 BAA	\$7.63
14 Socket, Power	1L2Z 19N236 BA	\$12.00

FLOW THRU CONSOLE



R&I Console

.6

NOTE: All Parts in this section are included in R&R Center Console unless noted otherwise.

- 1 Console, Center
- Black

2004 Ford New Pickup XLT Pickup F150

w/Harley-Davidson Model	06-0	.8	8L3Z 18045A36 CA	\$313.07
w/o Harley-Davidson Model	04-0	.8	8L3Z 15045A36 BA	\$485.75
	08	.8	8L3Z 15045A36 BA	\$485.75
Pebble	04-0	.8	8L3Z 15045A36 BB	\$485.68
	08	.8	8L3Z 15045A36 BB	\$485.68
2 Panel, Finish-See Instrument Panel Section				
3 Brkt, Front Console	#.2		4L3Z 15045B32 AA	\$37.47
4 Brkt, Rear Console	#.2		4L3Z 15045B34 AA	\$23.03
#w/Console Removed				
5 Panel Assy, Front Console				
w/Harley-Davidson Model	06-0	.2	6L3Z 18045A76 AA	\$345.08
w/o Harley-Davidson Model		.2	4L3Z 15045A76 AAA	\$78.80
6 Bezel, Panel Trim (a)			4L3Z 7E391 AAA	\$5.48
(a) Included w/Front Console Panel Assy				
7 Indicator, Shift			4L3Z 7D443 BB	\$188.82
8 Holder, Front Cup			N.A.	
9 Insert, Cup Holder (2)			2L1Z 7813562 AAA	\$13.67
10 Mat, Console			4L3Z 15045G34 AAA	\$15.18
11 Panel, Upper Console				
w/Harley-Davidson Model	06-0	.2	6L3Z 1804567 AA	\$211.73
w/o Harley-Davidson Model		.2	4L3Z 1504567 AAA	\$147.95
12 Holder, Rear Cup (2)			2L7Z 7813562 AAA	\$12.98
13 Lid Assy, Console				
XLT Model	07-0	.2	5L3Z 1506024 BAA	\$95.75
FX2 Model	07	.2	5L3Z 1506024 BAA	\$95.75
FX4 Model		.2	5L3Z 1506024 BAA	\$95.75
Lariat Model				
Black		.2	5L3Z 1506024 AAC	\$136.78
Pebble	04	.2	4L3Z 1506024 CAA	\$123.67
	05-0	.2	5L3Z 1506024 AAD	\$202.85
King Ranch Model	05-0	.2	5L3Z 1606024 AAB	\$324.55
Harley-Davidson Model	06-0	.2	6L3Z 1806024 AA	\$367.77
	08	.2	8L3Z 1806024 AA	\$438.13
Limited Model	08	.2	8L3Z 1606024 GA	\$66.15
14 Strap, Lid (c)				
	2004		4L3Z 15642A96 AAA	\$9.37
	2005			
To 11-29-04			4L3Z 15642A96 AAA	\$9.37

2004 Ford New Pickup XLT Pickup F150

From 11-30-04-Serviced w/Console Lid Assy

2006-08-Serviced w/Console Lid Assy

(c) Included w/Console Lid Assy

15 Hinge, Console Lid		4L3Z 1506050 AAA	\$21.57
16 Panel Assy, Rear Console			
2004-06			
Black		.2 7L3Z 18045E24 AA	\$96.87
Pebble		.2 7L3Z 18045E24 AB	\$96.87
	2007		
To 12-4-06			
Black		.2 7L3Z 18045E24 AA	\$96.87
Pebble		.2 7L3Z 18045E24 AB	\$96.87
From 12-5-06			
Black		.2 7L3Z 18045E24 AA	\$96.87
Pebble		.2 7L3Z 18045E24 AB	\$96.87
	2008		
Black		.2 7L3Z 18045E24 AA	\$96.87
Pebble		.2 7L3Z 18045E24 AB	\$96.87
17 Cover, Power Socket (d)		4L3Z 19A487 BAA	\$7.63

(d) Included w/Rear Console Panel Assy

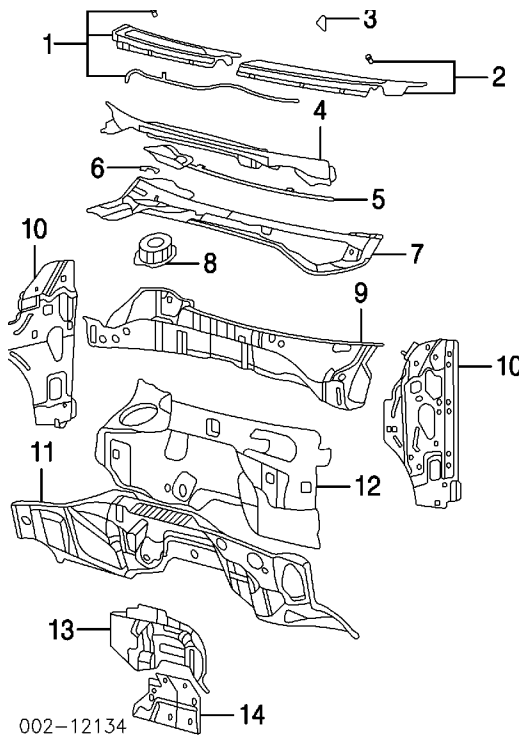
18 Socket, Power		1L2Z 19N236 BA	\$12.00
19 Grille, Vent	R	4L3Z 19893 AA	\$32.62
	L	4L3Z 19893 AA	\$32.62

CAB

Procedures 8, 14, 15, 17, 18 and 28

NOTE: Skeleton cabs are available only through current model production. Cabs are primed and include doors. Contact dealer for price and availability.

SHEET METAL REGULAR CAB



Refinish Complete Cab Outside		16.8
Add for Inside		6.0
Refinish Roof Outside		2.6
Refinish Door Frame Opening	R	4.0
	L	4.0
Refinish Hinge Pillar	R	1.0
	L	1.0
Refinish Rocker Panel	R	2.0
	L	2.0
Refinish Rear Pillar	R	2.0
	L	2.0
Refinish Floor Pan		2.3
Refinish Back Panel		2.2

2004 Ford New Pickup XLT Pickup F150

Add for Inside		1.0	
Refinish Roof Rail	R	1.6	
	L	1.6	
R&I Drip Rail	R	.3	
	L	.3	
Section Hinge Pillar	R	#8.0	
	L	#8.0	

#Time is to Cut in Windshield Opening & Door Opening

Section Rocker Panel	R	#6.5	
	L	#6.5	

#Time is to Cut in Door Opening

Section Rear Pillar	R	#7.0	
	L	#7.0	

#Time is to Cut in Back Window Opening & Door Opening

Add to R&R Complete Cab

To R&I/R&R Base Model Mechanical Components		#10.6	
---	--	-------	--

#Includes R&I Instrument Panel, Steering Column, Heater Assy, R&I/R&R Brake Booster, Main Computer Module, Parking Brake Actuator & Disconnect & Connect Fuel Lines & Wiring Harness as Necessary

Add to R&R Complete Cab w/4WD		1.0	
w/Center Console		.3	
w/Pwr Locks		.6	
w/Rear Speakers		.4	
Cab, Complete		#28.8	N.A.

#Time is for Base Model Cab, w/Base Model Trim & Standard Equipment, Does Not Include R&I/R&R Back Glass

1 Grille, Right Cowl	R	#.6	4L3Z 15022A68 BA	\$88.03
----------------------	---	-----	------------------	---------

#Time is for Both, Includes R&R Wiper Arms

2 Grille, Left Cowl	L	#.3	4L3Z 15022A69 AA	\$72.73
---------------------	---	-----	------------------	---------

#Includes R&R Wiper Arm

3 Nozzle, Washer-See Windshield Section

4 Extension, Cowl Top

2004

To 6-17-04		#2.0	4L3Z 15021A36 AA	\$63.77
------------	--	------	------------------	---------

2004 Ford New Pickup XLT Pickup F150

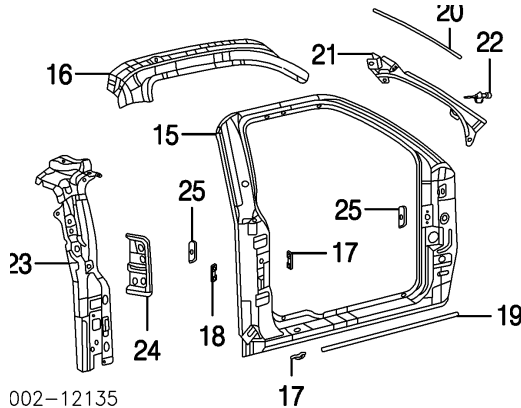
From 6-18-04	#2.0	4L3Z 15021A36 BA	\$56.70
2005-08	#2.0	4L3Z 15021A36 BA	\$56.70

#Included in R&R Upper Cowl Panel

5 Insulator, Cowl		5L3Z 15023A44 AA	\$45.53
6 Brace, Cowl Panel	R	4L3Z 1502428 AA	\$8.32
7 Panel, Upper Cowl	4.0	4L3Z 1502010 AA	\$248.33
8 Deflector, Air	R	F65Z 1502408 AA	\$38.43
9 Panel, Lower Cowl	#6.5	4L3Z 1502018 BA	\$208.18

#w/Upper Cowl Panel Removed Deduct 2.5

10 Panel, Side Cowl	R	3.0 4L3Z 1502038 AA	\$109.98
	L	3.0 4L3Z 1502039 AA	\$66.42
11 Panel, Dash (LSM)	04	2L1Z 7801610 BA	\$481.47
	05-06	5L1Z 7801610 AA	\$441.00
	07-08	7L1Z 7801610 A	\$402.88
12 Insulator, Inner Dash			
Man Trans		5L3Z 1501670 CA	\$109.80
Auto Trans		5L3Z 1501670 B	\$145.53
Insulator, Outer Dash			
13 Upper			
2004-05		8L3Z 1501588 C	\$98.98
2006-08			
XL, XLT, STX Model		8L3Z 1501588 C	\$98.98
FX4 Model		8L3Z 1501588 C	\$98.98
14 Lower		2L1Z 78017A40 DA	\$51.42



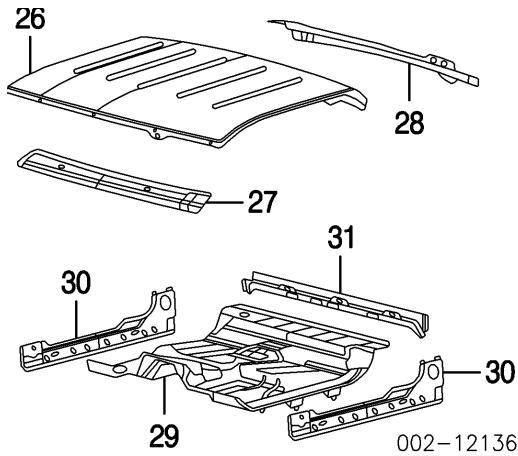
15 Frame, Door Opng				
	2004	R	15.0 4L3Z 15211A80 AA	\$944.28
		L	15.0 4L3Z 15211A81 AA	\$942.47
	2005	R	15.0 5L3Z 15211A10 AA	\$1,006.43
		L	15.0 6L3Z 15211A11 A	\$871.53
	2006			
	To 12-5-05	R	15.0 5L3Z 15211A10 AA	\$1,006.43

2004 Ford New Pickup XLT Pickup F150

	L	15.0	6L3Z 15211A11 A	\$871.53
From 12-6-05	R	15.0	6L3Z 15211A10 A	\$821.97
	L	15.0	6L3Z 15211A11 A	\$871.53
2007-08	R	15.0	6L3Z 15211A10 A	\$821.97
	L	15.0	6L3Z 15211A11 A	\$871.53
Striker, Upper Latch-See Rear Door Section				
Striker, Lower Latch-See Rear Door Section				
16 Rail, Outer Roof	04 R	3.5	4L3Z 1551186 AA	\$155.72
	L	3.5	4L3Z 1551187 AA	\$158.83
	05-0 R	3.5	5L3Z 1551186 AA	\$187.03
	L	3.5	5L3Z 1551187 AA	\$187.03
17 Anchor, Striker (2/Side)	R		4L3Z 1522024 AA	\$5.72
	L		4L3Z 1522024 AA	\$5.72
18 Plate, Hinge	R		E7TZ 9943488 A	\$4.28
	L		E7TZ 9943488 A	\$4.28
19 Seal, Lower	R		4L3Z 15101C36 AA	\$29.77
	L		4L3Z 15101C36 AA	\$29.77
20 Rail, Drip	R	.3	4L3Z 1551700 AA	\$9.43
	L	.3	4L3Z 1551701 AA	\$9.28
21 Pillar, Front Inner Right				
2004-05	R	2.0	6L3Z 1502508 AA	\$151.23
	2006			
To 8-8-05	R	2.0	6L3Z 1502508 AA	\$151.23
From 8-9-05	R	2.0	6L3Z 1502508 AA	\$151.23
2007-08	R	2.0	6L3Z 1502508 AA	\$151.23
	L	2.0	4L3Z 1502509 AA	\$189.12
22 Seal, Pillar	R		4L3Z 15026A46 BA	\$15.98
	L		4L3Z 15026A47 BA	\$12.00
23 Panel, Rear Inner Right	R	3.5	5L3Z 1540476 AA	\$86.17
Left				
2004-05	L	3.5	5L3Z 1540477 AA	\$56.85
	2006			
To 12-5-05	L	3.5	5L3Z 1540477 AA	\$56.85
From 12-6-05	L	3.5	6L3Z 1540477 A	\$71.80
2007-08	L	3.5	6L3Z 1540477 A	\$71.80
24 Extension, Panel	R		4L3Z 16278B10 AA	\$53.43
	L		4L3Z 16278B11 AA	\$53.43
25 Reinf, Seat Belt†	R		F65Z 15613C32 BB	\$305.87
	L		F65Z 15613C32 BB	\$305.87

†As Required

2004 Ford New Pickup XLT Pickup F150



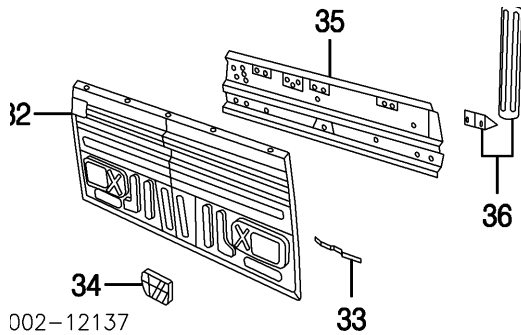
26 Panel, Roof	#11.0	4L3Z 1550202 AA	\$378.50
----------------	-------	-----------------	----------

#Does Not Include R&R Back Glass

27 Panel, Front Header	2.0	4L3Z 1503418 AA	\$85.63
28 Panel, Rear Header	2.0	4L3Z 1840484 AA	\$56.33
29 Panel, Floor	04-0 #19.0	7L3Z 1511135 A	\$910.20
	07-0 #19.0	7L3Z 1511135 A	\$910.20

#Deduct 2.0 w/Each Floor Sidemember Removed

30 Sidemember, Floor	R	3.0	4L3Z 1510110 BA	\$91.48
	L	3.0	4L3Z 1510111 BA	\$91.48
31 Crossmember, Seat	04	2.0	4L3Z 15107A94 AA	\$205.58
	05-0	2.0	8L3Z 15107A94 A	\$157.10



32 Panel, Back	#10.5	4L3Z 1640300 CA	\$159.45
----------------	-------	-----------------	----------

#w/Bed Assy Removed, Includes R&R Panel Reinf, Does Not Include R&I/R&R Back Glass

33 Support, Panel	R	F65Z 1531396 AA	\$23.40
	L	F65Z 1531396 AA	\$23.40
34 Valve, Vent	R	3C3Z 54280B62 BA	\$11.37
	L	3C3Z 54280B62 BA	\$11.37
35 Reinf, Panel		6L3Z 15403E32 A	\$93.70

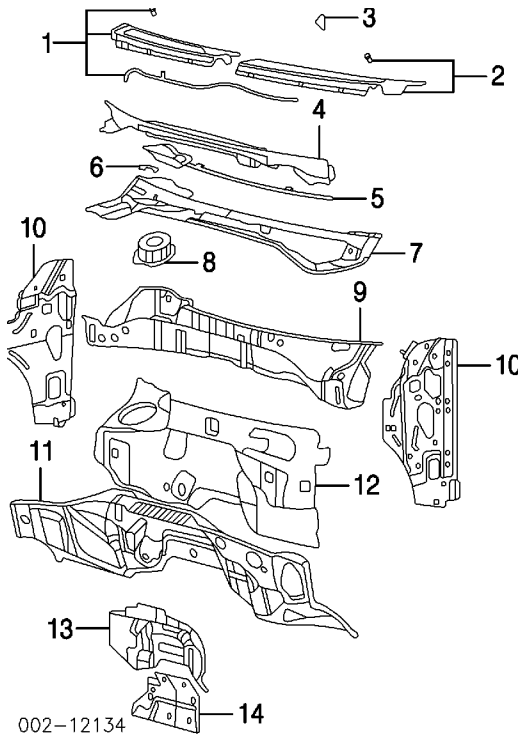
2004 Ford New Pickup XLT Pickup F150

36 Pillar, Center Reinf

04 R
05-0 R

1.5 4L3Z 16243A00 BA \$94.90
1.5 5L3Z 16243A00 AA \$55.22

SHEET METAL
EXTENDED CAB



Refinish Cab Complete Outside		23.3
Add for Inside		8.0
Refinish Roof Outside		3.1
Refinish Door Opening Frame	R	5.0
	L	7.0
Refinish Hinge Pillar	R	1.0
	L	1.0
Refinish Rocker Panel	R	2.0
	L	2.0
Refinish Rear Pillar	R	2.0
	L	2.0
Refinish Floor Pan		2.6
Refinish Back Panel		2.1
Add for Inside		1.0
Refinish Roof Rail	R	1.6
	L	1.6
R&I Drip Rail	R	.3

2004 Ford New Pickup XLT Pickup F150

Section Hinge Pillar L .3
 R #8.0
 L #8.0

#Time is to Cut in Windshield Opening & Door Opening

Section Rocker Panel R #7.0
 L #7.0

#Time is to Cut in Door Opening

Section Rear Pillar R #7.0
 L #7.0

#Time is to Cut in Back Window Opening & Door Opening

Add to R&R Complete Cab

To R&R Base Model Mechanical Components #10.6

#Includes R&I Instrument Panel, Steering Column, Heater Assy, R&I/R&R Brake Booster, Main Computer Module, Parking Brake Actuator & Disconnect & Connect Fuel Lines & Wiring Harness as Necessary

Add to R&R Complete Cab w/4WD 1.0

w/Center Console .3

w/Pwr Locks .6

w/Rear Speakers .4

w/Rear Seat .3

Cab, Complete #33.2 N.A.

#Time is for Base Model Cab, w/Base Model Trim & Standard Equipment, Does Not Include R&I/R&R Back Glass

1 Grille, Right Cowl R #.6 4L3Z 15022A68 BA \$88.03

#Time is for Both, Includes R&R Wiper Arms

2 Grille, Left Cowl L #.3 4L3Z 15022A69 AA \$72.73

#Includes R&R Wiper Arm

3 Nozzle, Washer-See Windshield Section

4 Extension, Cowl Top

2004

To 6-17-04 #2.0 4L3Z 15021A36 AA \$63.77

From 6-18-04 #2.0 4L3Z 15021A36 BA \$56.70

2005-08 #2.0 4L3Z 15021A36 BA \$56.70

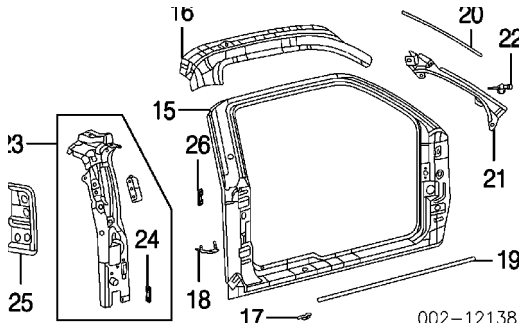
2004 Ford New Pickup XLT Pickup F150

#Included in R&R Upper Cowl Panel

5 Insulator, Cowl			5L3Z 15023A44 AA	\$45.53
6 Brace, Cowl Panel	R		4L3Z 1502428 AA	\$8.32
7 Panel, Upper Cowl		4.0	4L3Z 1502010 AA	\$248.33
8 Deflector, Air	R		F65Z 1502408 AA	\$38.43
9 Panel, Lower Cowl		#6.5	4L3Z 1502018 BA	\$208.18

#w/Upper Cowl Panel Removed Deduct 2.5

10 Panel, Side Cowl	R	3.0	4L3Z 1502038 AA	\$109.98
	L	3.0	4L3Z 1502039 AA	\$66.42
11 Panel, Dash (LSM)		04	2L1Z 7801610 BA	\$481.47
		05-06	5L1Z 7801610 AA	\$441.00
		07-08	7L1Z 7801610 A	\$402.88
12 Insulator, Inner Dash				
Man Trans			5L3Z 1501670 CA	\$109.80
Auto Trans			5L3Z 1501670 B	\$145.53
Insulator, Outer Dash				
13 Upper				
2004-05			8L3Z 1501588 C	\$98.98
2006-08				
XL, XLT, STX, FX2 Model			8L3Z 1501588 C	\$98.98
Lariat Model			8L3Z 1501588 A	\$135.08
FX4, Harley-Davidson Model			8L3Z 1501588 C	\$98.98
14 Lower			2L1Z 78017A40 DA	\$51.42



15 Frame, Door Opng	R	20.0	4L3Z 18211A80 AA	\$1,002.00
	L	21.0	4L3Z 18211A81 AA	\$1,000.10

Striker, Upper Latch-See Rear Door Section

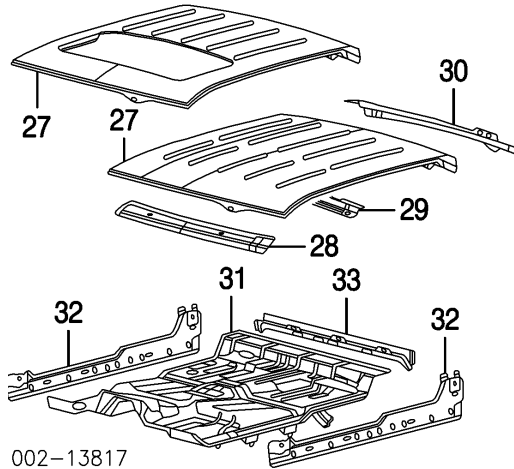
Striker, Lower Latch-See Rear Door Section

16 Rail, Outer Roof	04-0 R	3.5	7L3Z 1851186 A	\$205.03
---------------------	--------	-----	----------------	----------

2004 Ford New Pickup XLT Pickup F150

		L	3.5	4L3Z 1851187 BA	\$326.40
	07-0	R	3.5	7L3Z 1851186 A	\$205.03
		L	3.5	7L3Z 1851187 A	\$185.08
17	Anchor, Striker	R		4L3Z 1522024 AA	\$5.72
		L		4L3Z 1522024 AA	\$5.72
18	Seat, Inner Pillar	R		5L3Z 1828182 A	\$15.53
		L		5L3Z 1828183 A	\$12.95
19	Seal, Lower				
		2004		R	4L3Z 18101C36 AA \$37.38
				L	4L3Z 18101C36 AA \$37.38
		2005			
	To 1-3-05			R	4L3Z 18101C36 AA \$37.38
				L	4L3Z 18101C36 AA \$37.38
	From 1-4-05			R	5L3Z 18101C36 A \$24.35
				L	5L3Z 18101C36 A \$24.35
	2006-08			R	5L3Z 18101C36 A \$24.35
				L	5L3Z 18101C36 A \$24.35
20	Rail, Drip			R	.3 4L3Z 1551700 AA \$9.43
				L	.3 4L3Z 1551701 AA \$9.28
21	Pillar, Front Inner Right				
	2004-05			R	2.0 6L3Z 1502508 AA \$151.23
		2006			
	To 8-8-05			R	2.0 6L3Z 1502508 AA \$151.23
	From 8-9-05			R	2.0 6L3Z 1502508 AA \$151.23
	2007-08			R	2.0 6L3Z 1502508 AA \$151.23
				L	2.0 4L3Z 1502509 AA \$189.12
22	Seal, Pillar			R	4L3Z 15026A46 BA \$15.98
				L	4L3Z 15026A47 BA \$12.00
23	Panel Assy, Rear Inner			R	3.0 4L3Z 1840476 BA \$105.58
				L	3.0 6L3Z 1840477 A \$132.13
24	Reinf, Seat Belt (a)¶			R	F65Z 15613C32 BB \$305.87
				L	F65Z 15613C32 BB \$305.87
	¶Included w/Rear Inner Panel Assy				
	(a) As Required				
25	Extension, Panel			R	4L3Z 16278B10 AA \$53.43
				L	4L3Z 16278B11 AA \$53.43
26	Reinf, Seat Belt (a)			R	F65Z 15613C32 BB \$305.87
				L	F65Z 15613C32 BB \$305.87
	(a) As Required				

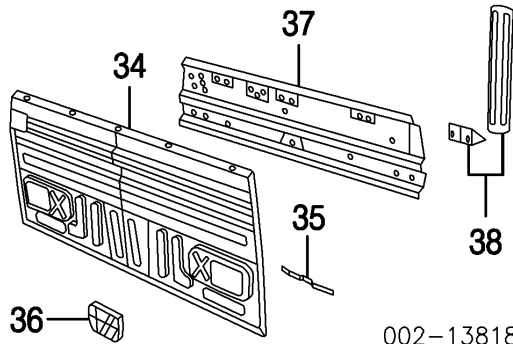
2004 Ford New Pickup XLT Pickup F150



002-13817

27 Panel, Roof				
w/Sunroof	#14.5	4L3Z 1850202 BA		\$709.38
w/o Sunroof	#13.0	4L3Z 1850202 AA		\$626.47
#Does Not Include R&R Back Glass				
28 Panel, Front Header	2.0	4L3Z 1503418 AA		\$85.63
29 Reinf, Roof (a)				
2004-05		4L3Z 1850222 AA		\$61.03
			2006	
To 12-22-05		4L3Z 1850222 AA		\$61.03
From 12-23-05		6L3Z 1850222 A		\$52.80
2007-08		6L3Z 1850222 A		\$52.80
(a) As Required				
30 Panel, Rear Header	2.0	4L3Z 1840484 AA		\$56.33
31 Panel, Floor	04 #20.0	7L3Z 1811135 A		\$1,296.98
	05-0 #20.0	7L3Z 1811135 A		\$1,296.98
#Deduct 2.5 w/Each Floor Sidemember Removed				
32 Sidemember, Floor	R	3.5 4L3Z 1810110 BA		\$107.20
	L	3.5 4L3Z 1810111 BA		\$89.33
33 Crossmember, Rear Seat	04	2.0 4L3Z 18107A94 AA		\$228.12
	05-0	2.0 8L3Z 18107A94 A		\$153.32

2004 Ford New Pickup XLT Pickup F150



34 Panel, Back

#10.5 4L3Z 1640300 CA \$159.45

#w/Bed Assy Removed, Includes R&R Panel Reinf, Does Not Include R&I/R&R Back Glass

35 Support, Panel

R F65Z 1531396 AA \$23.40

L F65Z 1531396 AA \$23.40

36 Valve, Vent

R 3C3Z 54280B62 BA \$11.37

L 3C3Z 54280B62 BA \$11.37

37 Reinf, Panel

2004 4L3Z 16403E32 AA \$120.37

2005 6L3Z 16403E32 A \$92.98

2006

To 12-5-05

6L3Z 16403E32 A \$92.98

From 12-6-05

6L3Z 15403E32 A \$93.70

2007-08

6L3Z 15403E32 A \$93.70

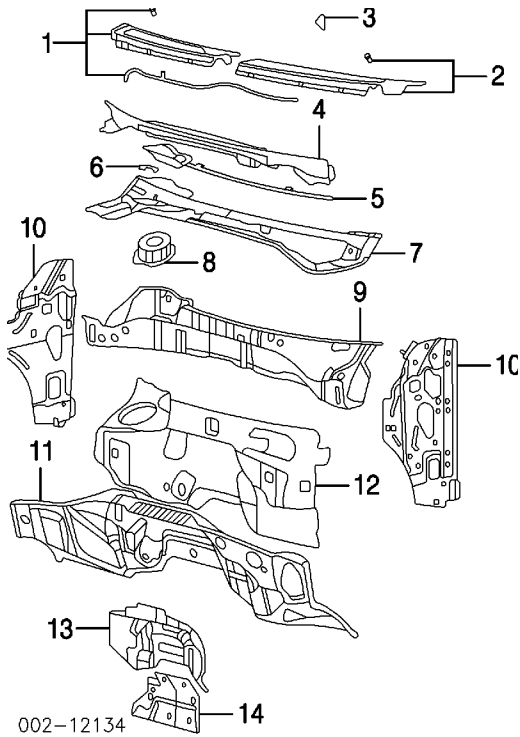
38 Pillar, Center Reinf

04 R 4L3Z 16243A00 BA \$94.90

05-0 R 5L3Z 16243A00 AA \$55.22

**SHEET METAL
CREW CAB**

2004 Ford New Pickup XLT Pickup F150



Refinish Cab Complete Outside		25.9
Add for Inside		4.6
Refinish Roof Outside		3.3
Refinish Door Opening Frame	R	6.0
	L	6.0
Refinish Hinge Pillar	R	1.0
	L	1.0
Refinish Center Pillar & Rocker Panel	R	3.0
	L	3.0
Refinish Front Rocker Panel	R	1.8
	L	1.8
Refinish Rear Rocker Panel	R	1.8
	L	1.8
Refinish Rear Pillar	R	2.0
	L	2.0
Refinish Floor Pan		3.0
Refinish Back Panel		2.2
Add for Inside		1.0

2004 Ford New Pickup XLT Pickup F150

Refinish Roof Rail	R	1.6
	L	1.6
R&I Drip Rail	R	.3
	L	.3
Section Hinge Pillar	R	#8.0
	L	#8.0

#Time is to Cut in Windshield Opening & Door Opening

Section Rocker Panel		
Front	R	#6.5
	L	#6.5
Rear	R	#6.5
	L	#6.5

#Time is to Cut in Door Opening

Section Center Pillar & Rocker Panel	R	#8.0
	L	#8.0

#Time is to Cut in Door Opening & Below Roof Line

Section Rear Pillar	R	#7.0
	L	#7.0

#Time is to Cut in Back Window Opening & Door Opening

Add to R&R Complete Cab		
To R&I/R&R Base Model Mechanical Components		#10.6

#Includes R&I Instrument Panel, Steering Column, Heater Assy, R&I/R&R Brake Booster, Main Computer Module, Parking Brake Actuator & Disconnect & Connect Fuel Lines & Wiring Harness as Necessary

Add to R&R Complete Cab w/4WD		1.0
w/Center Console		.3
w/Pwr Locks		.6
w/Rear Speakers		.4
Cab, Complete		#36.8 N.A.

#Time is for Base Model Cab, w/Base Model Trim & Standard Equipment, Does Not Include R&I/R&R Back Glass

1 Grille, Right Cowl	R	#.6	4L3Z 15022A68 BA	\$88.03
----------------------	---	-----	------------------	---------

2004 Ford New Pickup XLT Pickup F150

#Time is for Both, Includes R&R Wiper Arms

2 Grille, Left Cowl L #.3 4L3Z 15022A69 AA \$72.73
 #Includes R&R Wiper Arm

3 Nozzle, Washer-See Windshield Section

4 Extension, Cowl Top

2004

To 6-17-04 #2.0 4L3Z 15021A36 AA \$63.77
 From 6-18-04 #2.0 4L3Z 15021A36 BA \$56.70
 2005-08 #2.0 4L3Z 15021A36 BA \$56.70

#Included in R&R Upper Cowl Panel

5 Insulator, Cowl 5L3Z 15023A44 AA \$45.53
 6 Brace, Cowl Panel R 4L3Z 1502428 AA \$8.32
 7 Panel, Upper Cowl 4.0 4L3Z 1502010 AA \$248.33
 8 Deflector, Air R F65Z 1502408 AA \$38.43
 9 Panel, Lower Cowl #6.5 4L3Z 1502018 BA \$208.18

#w/Upper Cowl Panel Removed Deduct 2.5

10 Panel, Side Cowl R 3.0 4L3Z 1502038 AA \$109.98
 L 3.0 4L3Z 1502039 AA \$66.42
 11 Panel, Dash (LSM) 04 2L1Z 7801610 BA \$481.47
 05-06 5L1Z 7801610 AA \$441.00
 07-08 7L1Z 7801610 A \$402.88

12 Insulator, Inner Dash

Man Trans 5L3Z 1501670 CA \$109.80
 Auto Trans 5L3Z 1501670 B \$145.53

Insulator, Outer Dash

13 Upper

2004-05 8L3Z 1501588 C \$98.98

2006-08

XL, XLT, FX2 Model 8L3Z 1501588 C \$98.98

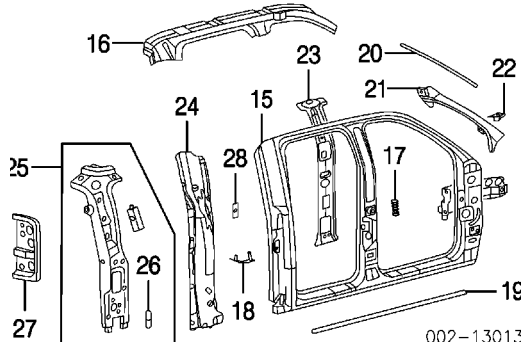
Lariat, King Ranch Model 8L3Z 1501588 A \$135.08

FX4, Harley-Davidson Model 8L3Z 1501588 C \$98.98

Limited Model 08 8L3Z 1501588 A \$135.08

14 Lower 2L1Z 78017A40 DA \$51.42

2004 Ford New Pickup XLT Pickup F150



15	Frame, Door Opng	R	26.0	4L3Z 16211A80 AA	\$1,249.47
		L	26.0	4L3Z 16211A81 AA	\$1,238.25

Striker, Front Door-See Front Door Section

Striker, Rear Door-See Rear Door Section

16	Rail, Outer Roof	R	3.5	4L3Z 1651186 BA	\$191.73
		L	3.5	4L3Z 1651187 BA	\$196.70
17	Anchor, Striker (a)	R		4L3Z 1522024 AA	\$5.72
		L		4L3Z 1522024 AA	\$5.72
	(a) As Required				
18	Seat, Inner Pillar	R		6L3Z 1628182 A	\$20.07
		L		6L3Z 1628183 A	\$10.60
19	Seal, Lower				
	Inner	R		4L3Z 16244A24 AB	\$14.00
		L		4L3Z 16244A25 AB	\$14.00
	Outer	R		4L3Z 16101C36 AA	\$40.00
		L		4L3Z 16101C36 AA	\$40.00
20	Rail, Drip	R	.3	4L3Z 1551700 AA	\$9.43
		L	.3	4L3Z 1551701 AA	\$9.28
21	Pillar, Front Inner				
	Right				
	2004-05	R	2.0	6L3Z 1502508 AA	\$151.23
	2006				
	To 8-8-05	R	2.0	6L3Z 1502508 AA	\$151.23
	From 8-9-05	R	2.0	6L3Z 1502508 AA	\$151.23
	2007-08	R	2.0	6L3Z 1502508 AA	\$151.23
		L	2.0	4L3Z 1502509 AA	\$189.12
22	Seal, Pillar	R		4L3Z 15026A46 BA	\$15.98
		L		4L3Z 15026A47 BA	\$12.00
23	Pillar, Center Inner	R	2.0	4L3Z 1624300 AA	\$83.78
		L	2.0	4L3Z 1624301 AA	\$107.83
24	Reinf, Inner Panel	R	2.0	6L3Z 1628136 A	\$108.98
		L	2.0	6L3Z 1628137 A	\$108.98

2004 Ford New Pickup XLT Pickup F150

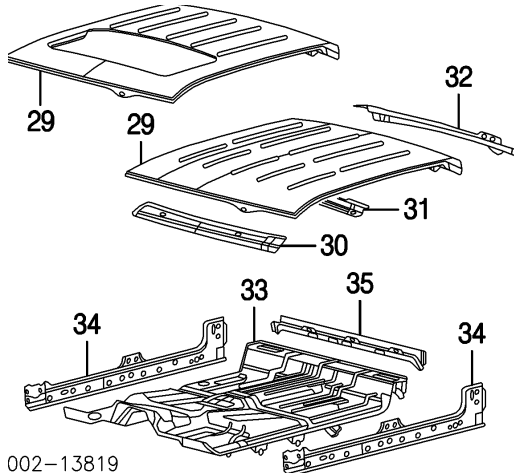
25 Panel Assy, Rear Inner	R	2.5	4L3Z 1640476 AA	\$121.82
	L	2.5	5L3Z 1640477 AA	\$121.78
26 Reinf, Seat Belt (a)¶	R		F65Z 15613C32 BB	\$305.87
	L		F65Z 15613C32 BB	\$305.87

¶Included w/Rear Inner Panel Assy

(a) As Required

27 Extension, Panel	R	1.0	4L3Z 16278B10 AA	\$53.43
	L	1.0	4L3Z 16278B11 AA	\$53.43
28 Reinf, Seat Belt (a)	R		F65Z 15613C32 BB	\$305.87
	L		F65Z 15613C32 BB	\$305.87

(a) As Required



002-13819

29 Panel, Roof w/Sunroof 2004-05				
		2006		
To 12-5-05		#17.5	4L3Z 1650202 BA	\$735.50
From 12-5-05		#17.5	4L3Z 1650202 BA	\$735.50
2007-08		#17.5	6L3Z 1650202 A	\$952.48
w/o Sunroof		#17.5	6L3Z 1650202 A	\$952.48
		#16.5	4L3Z 1650202 AA	\$630.37

#Does Not Include R&R Back Glass

30 Panel, Front Header		2.0	4L3Z 1503418 AA	\$85.63
31 Reinf, Roof (a) 2004-05		1.5	4L3Z 1850222 AA	\$61.03
		2006		
To 12-22-05		1.5	4L3Z 1850222 AA	\$61.03
From 12-23-05		1.5	6L3Z 1850222 A	\$52.80
2007-08		1.5	6L3Z 1850222 A	\$52.80
(a) As Required				
32 Panel, Rear Header		2.0	4L3Z 1840484 AA	\$56.33

2004 Ford New Pickup XLT Pickup F150

33 Panel, Floor #20.0 7L3Z 1611135 A \$1,404.52

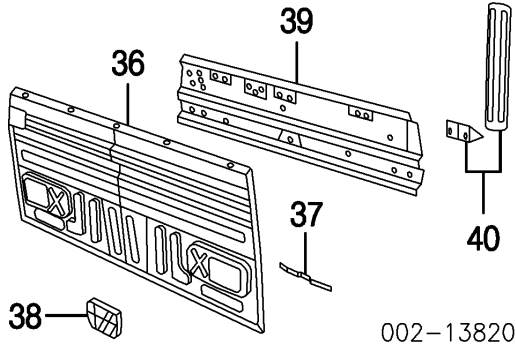
#Deduct 2.5 w/Each Floor Sidemember Removed

34 Sidemember, Floor R 3.5 5L3Z 1610110 AA \$131.92

L 3.5 5L3Z 1610111 AA \$507.37

35 Crossmember, Rear Seat 04 2.0 4L3Z 18107A94 AA \$228.12

05-0 2.0 8L3Z 18107A94 A \$153.32



36 Panel, Back #10.5 4L3Z 1640300 CA \$159.45

#w/Bed Assy Removed, Includes R&R Panel Reinf, Does Not Include R&I/R&R Back Glass

37 Support, Panel R F65Z 1531396 AA \$23.40

L F65Z 1531396 AA \$23.40

38 Valve, Vent R .1 3C3Z 54280B62 BA \$11.37

L .1 3C3Z 54280B62 BA \$11.37

39 Reinf, Panel 2004 2.5 4L3Z 16403E32 AA \$120.37

2005 2.5 6L3Z 16403E32 A \$92.98

2006 2.5 6L3Z 16403E32 A \$92.98

To 12-5-05 2.5 6L3Z 16403E32 A \$92.98

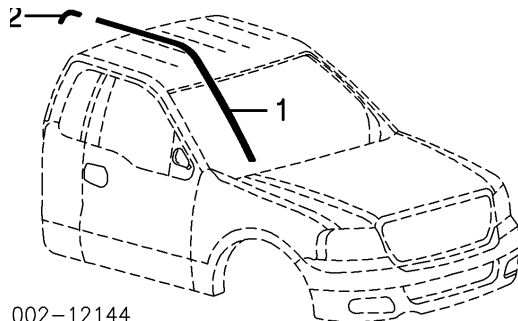
From 12-6-05 2.5 6L3Z 15403E32 A \$93.70

2007-08 2.5 6L3Z 15403E32 A \$93.70

40 Pillar, Center Reinf 04 R 1.0 4L3Z 16243A00 BA \$94.90

05-0 R 1.0 5L3Z 16243A00 AA \$55.22

EXTERIOR TRIM

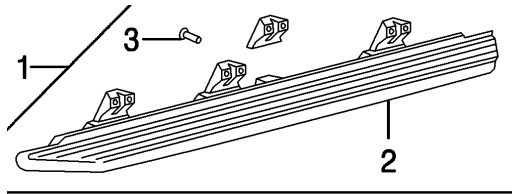


002-12144

2004 Ford New Pickup XLT Pickup F150

R&I Drip Moulding Complete	R	.4		
	L	.4		
1 Moulding Assy, Front Drip				
Regular Cab	R	.3	4L3Z 1503136 AA	\$100.93
	L	.3	4L3Z 1503137 AA	\$76.87
Extended Cab	R	.3	4L3Z 1803136 AA	\$94.45
	L	.3	4L3Z 1803137 AA	\$91.22
Crew Cab	R	.3	4L3Z 1603136 AA	\$90.67
	L	.3	4L3Z 1603137 AA	\$90.67
Retainer, Drip Mldg (4/Side)¶	R		4L3Z 1510182 AA	\$7.00
	L		4L3Z 1510182 AA	\$7.00
¶Included w/Front Drip Moulding Assy				
2 Moulding, Rear Drip	R	.1	4L3Z 1651728 AA	\$10.07
	L	.1	4L3Z 1651729 AA	\$10.07

EXTERIOR TRIM
RUNNING BOARDS
FACTORY INSTALLED



14907-1

R&I Running Board	R	.4		
	L	.4		
1 Board Assy, Running				
w/King Ranch Model-Serviced by Components				
w/o King Ranch Model				
Extended Cab	R	.4	6L3Z 16450 JA	\$454.93
	L	.4	6L3Z 16451 JA	\$425.28
Crew Cab	R	.4	6L3Z 16450 KA	\$442.32
	L	.4	6L3Z 16451 KA	\$444.57
2 Board, Running¶				
w/King Ranch Model				
Arizona Beige	05-0 R	.4	6L3Z 16450 HA	\$456.88
	L	.4	6L3Z 16451 HA	\$457.03
Pueblo Gold	07-0 R	.4	6L3Z 16450 HB	\$489.75
	L	.4	6L3Z 16451 HB	\$521.15

2004 Ford New Pickup XLT Pickup F150

w/o King Ranch Model-Serviced w/Running Board Assy

3 Bolt, Mounting (a)				
w/King Ranch Model	05-0	R	* N806738 S36	\$1.63
		L	* N806738 S36	\$1.63
w/o King Ranch Model¶				
Extended Cab		R	* N806738 S301	\$7.30
		L	* N806738 S301	\$7.30
Crew Cab				
Type 1		R	* N811658 S301	\$7.50
		L	* N811658 S301	\$7.50
Type 2		R	* N806738 S301	\$7.30
		L	* N806738 S301	\$7.30

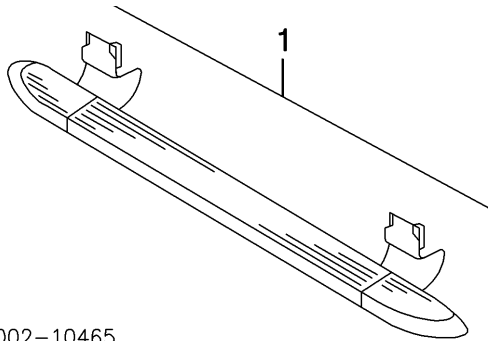
¶Included w/Running Board Assy

(a) As Required

4 Bracket, Mounting (3/Side)				
w/King Ranch Model	05-0	R	4L3Z 16A506 AA	\$46.67
		L	4L3Z 16A506 AA	\$46.67

w/o King Ranch Model-Serviced w/Running Board Assy

EXTERIOR TRIM
RUNNING BOARDS
DEALER INSTALLED



002-10465

R&I Running Board	R	.4		
	L	.4		
R&R Running Board	R	.4		
	L	.4		

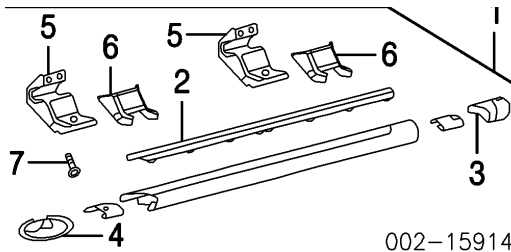
1 Board Kit, Running¶				
Extended Cab	#		4L3Z 16450 HAC	\$321.43
Crew Cab	#		4L3Z 16450 JAC	\$321.43

¶Contains Both Sides

2004 Ford New Pickup XLT Pickup F150

#See Headnotes for Labor Time

EXTERIOR TRIM
STEP RAILS
TYPE 1
FACTORY INSTALLED



Refinish Step Rail

R 1.0
 L 1.0

R&I Step Rail Assy

R .5
 L .5

1 Rail Assy, Step
 Regular Cab
 Silver Finish

R 1.0 6L3Z 16450 A \$416.17
 L 1.0 6L3Z 16451 A \$426.88

Black

2004 R 1.0 4L3Z 16450 AAA \$451.60
 L 1.0 4L3Z 16451 AAA \$492.47

2005

To 4-5-05 R 1.0 4L3Z 16450 AAA \$451.60
 L 1.0 4L3Z 16451 AAA \$492.47

From 4-6-05 R 1.0 5L3Z 16450 GAA \$515.72
 L 1.0 5L3Z 16451 GAA \$508.40

2006

To 8-8-05 R 1.0 5L3Z 16450 GAA \$515.72
 L 1.0 5L3Z 16451 GAA \$508.40

From 8-9-05 R 1.0 6L3Z 16450 BA \$418.72
 L 1.0 6L3Z 16451 BA \$508.78

2007-08

R 1.0 6L3Z 16450 BA \$418.72
 L 1.0 6L3Z 16451 BA \$508.78

Extended Cab
 Silver Finish

R 1.0 6L3Z 16450 B \$500.15
 L 1.0 6L3Z 16451 B \$499.63

Black

2004 R 1.0 4L3Z 16450 BAA \$520.65
 L 1.0 4L3Z 16451 BAA \$556.23

2005

To 4-5-05 R 1.0 4L3Z 16450 BAA \$520.65

2004 Ford New Pickup XLT Pickup F150

		L	1.0 4L3Z 16451 BAA	\$556.23
From 4-6-05		R	1.0 5L3Z 16450 HAA	\$730.70
		L	1.0 6L3Z 16451 CA	\$429.45
	2006			
To 8-8-05		R	1.0 5L3Z 16450 HAA	\$730.70
		L	1.0 6L3Z 16451 CA	\$429.45
From 8-9-05		R	1.0 6L3Z 16450 CA	\$429.45
		L	1.0 6L3Z 16451 CA	\$429.45
2007-08		R	1.0 6L3Z 16450 CA	\$429.45
		L	1.0 6L3Z 16451 CA	\$429.45
Crew Cab				
Silver Finish		R	1.0 6L3Z 16450 C	\$517.97
		L	1.0 6L3Z 16451 C	\$516.95
Black				
	2004	R	1.0 4L3Z 16450 CAA	\$547.97
		L	1.0 4L3Z 16451 CAA	\$504.88
	2005			
To 3-7-05		R	1.0 4L3Z 16450 CAA	\$547.97
		L	1.0 4L3Z 16451 CAA	\$504.88
From 3-8-05		R	1.0 6L3Z 16450 DA	\$454.93
		L	1.0 6L3Z 16451 DA	\$454.93
	2006			
To 8-8-05		R	1.0 6L3Z 16450 DA	\$454.93
		L	1.0 6L3Z 16451 DA	\$454.93
From 8-9-05		R	1.0 6L3Z 16450 DA	\$454.93
		L	1.0 6L3Z 16451 DA	\$454.93
2007-08		R	1.0 6L3Z 16450 DA	\$454.93
		L	1.0 6L3Z 16451 DA	\$454.93
2 Pad, Step Rail¶				
Regular Cab		R	.2 4L3Z 16490 AA	\$71.30
		L	.2 4L3Z 16490 AA	\$71.30
Extended Cab		R	.2 4L3Z 16490 BA	\$85.12
		L	.2 4L3Z 16490 BA	\$85.12
Crew Cab		R	.2 4L3Z 16490 CA	\$90.50
		L	.2 4L3Z 16490 CA	\$90.50
3 End, Front Step Rail¶				
Silver Finish		R	.2 4L3Z 16A454 BA	\$20.50
		L	.2 4L3Z 16A454 BA	\$20.50
Black				
	2004			
To 12-18-03		R	.2 4L3Z 16A454 AA	\$46.32
		L	.2 4L3Z 16A454 AA	\$46.32
From 12-19-03		R	.2 4L3Z 16A454 AB	\$41.67
		L	.2 4L3Z 16A454 AB	\$41.67
2005-08		R	.2 4L3Z 16A454 AB	\$41.67
		L	.2 4L3Z 16A454 AB	\$41.67

2004 Ford New Pickup XLT Pickup F150

4 End, Rear Step Rail¶				
Silver Finish		R	.2 4L3Z 16A455 BA	\$20.50
		L	.2 4L3Z 16A455 BA	\$20.50
Black				
	2004			
To 12-18-03		R	.2 4L3Z 16A455 AA	\$46.32
		L	.2 4L3Z 16A455 AA	\$46.32
From 12-19-03		R	.2 4L3Z 16A455 AB	\$41.67
		L	.2 4L3Z 16A455 AB	\$41.67
2005-08		R	.2 4L3Z 16A455 AB	\$41.67
		L	.2 4L3Z 16A455 AB	\$41.67
5 Brkt, Step Rail (2/Side)¶				
	2004	R	4L3Z 16A506 AA	\$46.67
		L	4L3Z 16A506 AA	\$46.67
	2005			
To 4-6-05		R	4L3Z 16A506 AA	\$46.67
		L	4L3Z 16A506 AA	\$46.67
From 4-7-05		R	5L3Z 16A506 A	\$47.82
		L	5L3Z 16A506 A	\$47.82
2006-08		R	5L3Z 16A506 A	\$47.82
		L	5L3Z 16A506 A	\$47.82
6 Cover, Bracket (2/Side)¶		R	5L3Z 16N470 A	\$40.23
		L	5L3Z 16N470 A	\$40.23
7 Bolt, Mounting (a)¶				
Type 1		R	* N811658 S301	\$7.50
		L	* N811658 S301	\$7.50
Type 2		R	* N806738 S301	\$7.30
		L	* N806738 S301	\$7.30

¶Included w/Step Rail Assy

(a) As Required

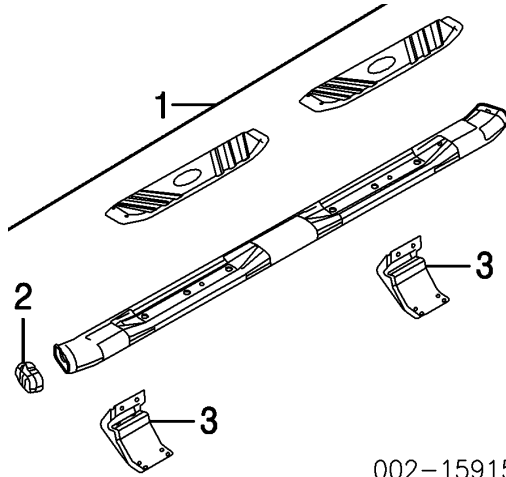
EXTERIOR TRIM

STEP RAILS

TYPE 2

FACTORY INSTALLED

2004 Ford New Pickup XLT Pickup F150



002-15915

R&I Step Rail

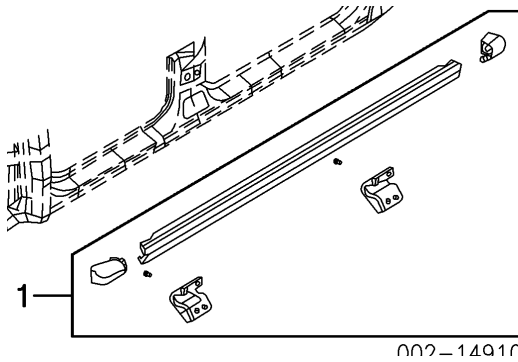
	R	.5		
	L	.5		
1 Rail Assy, Step (Chrome)				
			2006	
From 8-9-05				
Extended Cab	R	.5	6L3Z 16450 BB	\$373.30
	L	.5	6L3Z 16451 BB	\$373.30
Crew Cab	R	.5	6L3Z 16450 CB	\$431.96
	L	.5	6L3Z 16451 CB	\$431.96
			2007	
To 4-2-07				
Extended Cab	R	.5	6L3Z 16450 BB	\$373.30
	L	.5	6L3Z 16451 BB	\$373.30
Crew Cab	R	.5	6L3Z 16450 CB	\$431.96
	L	.5	6L3Z 16451 CB	\$431.96
From 4-3-07				
Extended Cab	R	.5	7L3Z 16450 DA	\$664.55
	L	.5	7L3Z 16451 DA	\$664.55
Crew Cab	R	.5	7L3Z 16450 EA	\$377.54
	L	.5	7L3Z 16451 EA	\$377.54
			2008	
Extended Cab	R	.5	7L3Z 16450 DA	\$664.55
	L	.5	7L3Z 16451 DA	\$664.55
Crew Cab	R	.5	7L3Z 16450 EA	\$377.54
	L	.5	7L3Z 16451 EA	\$377.54
2 Cap, End (2/Side)¶				
			2006	
From 8-9-05	R	.1	5C3Z 16N519 AAA	\$12.41
	L	.1	5C3Z 16N519 AAA	\$12.41
			2007	
To 4-2-07	R	.1	5C3Z 16N519 AAA	\$12.41

2004 Ford New Pickup XLT Pickup F150

		L	.1	5C3Z 16N519 AAA	\$12.41
From 4-3-07		R	.1	7C3Z 16A455 AA	\$24.23
		L	.1	7C3Z 16A455 AA	\$24.23
	2008	R	.1	7C3Z 16A455 AA	\$24.23
		L	.1	7C3Z 16A455 AA	\$24.23
3 Brkt, Step Rail (2/Side)¶		R		7L3Z 16A506 A	\$49.88
		L		7L3Z 16A506 A	\$49.88

¶Included w/Step Rail Assy

EXTERIOR TRIM
STEP RAILS
TYPE 3
FACTORY INSTALLED



Refinish Step Rail

R	1.0
L	1.0

R&I Step Rail

R	.5
L	.5

1 Rail, Step

2006

From 8-9-05

R	.8	6L3Z 16450 AA	\$522.75
L	.8	6L3Z 16451 AA	\$632.00

2007-08

Amethyst

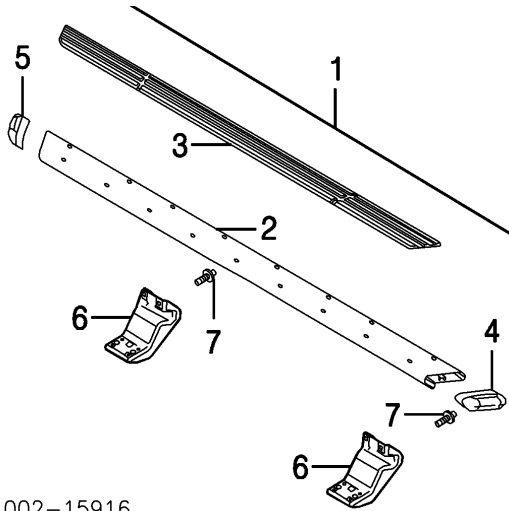
R	.8	7L3Z 16450 AE	\$885.62
L	.8	7L3Z 16451 AD	\$701.63

Black

R	.8	7L3Z 16450 AA	\$701.63
L	.8	7L3Z 16451 AC	\$701.63

EXTERIOR TRIM
STEP RAILS
TYPE 4
FACTORY INSTALLED

2004 Ford New Pickup XLT Pickup F150



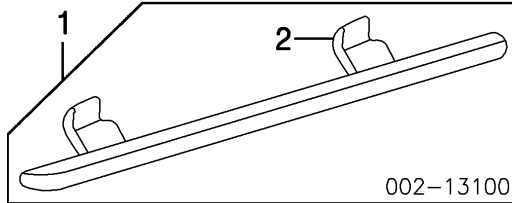
002-15916					
Refinish Step Rail		R	1.0		
		L	1.0		
R&I Step Rail		R	.5		
		L	.5		
1 Rail Assy, Step (P)					
Extended Cab	07-0 R	1.0	7L3Z 16450 BA	\$573.92	
	L	1.0	7L3Z 16451 BA	\$573.47	
Crew Cab	07-0 R	1.0	7L3Z 16450 CA	\$607.12	
	L	1.0	7L3Z 16451 CA	\$606.80	
2 Rail, Step (P)¶					
Extended Cab	07-0 R	1.0	7L3Z 16458 B	\$265.13	
	L	1.0	7L3Z 16458 B	\$265.13	
Crew Cab	07-0 R	1.0	7L3Z 16458 C	\$265.13	
	L	1.0	7L3Z 16458 C	\$265.13	
(P) Paint to Match					
3 Pad, Step¶					
Extended Cab	07-0 R	.2	4L3Z 16490 BA	\$85.12	
	L	.2	4L3Z 16490 BA	\$85.12	
Crew Cab	07-0 R	.2	4L3Z 16490 CA	\$90.50	
	L	.2	4L3Z 16490 CA	\$90.50	
4 End, Front Step Rail¶	07-0 R	.2	4L3Z 16A454 AB	\$41.67	
	L	.2	4L3Z 16A455 AB	\$41.67	
5 End, Rear Step Rail¶	07-0 R	.2	4L3Z 16A455 AB	\$41.67	
	L	.2	4L3Z 16A454 AB	\$41.67	
6 Brkt, Step Rail (2/Side)¶	07-0 R		5L3Z 16A506 A	\$47.82	
	L		5L3Z 16A506 A	\$47.82	
7 Bolt, Mounting (12/Side)¶	07-0 R		* N806738 S301	\$7.30	
	L		* N806738 S301	\$7.30	

¶Included w/Step Rail Assy

EXTERIOR TRIM

2004 Ford New Pickup XLT Pickup F150

**STEP RAILS
DEALER INSTALLED**



R&I Step Rail

R .5

L .5

R&R Step Rail

R .5

L .5

1 Rail Kit, Step¶

Type 1

Regular Cab	#	4L3Z 16450 DAA	\$392.86
Extended Cab	#	4L3Z 16450 EAA	\$392.86
Crew Cab	#	4L3Z 16450 FAA	\$392.86

Type 2

Black

4" Dia

Regular Cab	#	4L3Z 16450 KAD	\$300.00
Extended Cab	#	4L3Z 16450 LAD	\$300.00
Crew Cab	#	4L3Z 16450 MAD	\$142.86

5" Dia

Regular Cab	#	6L3Z 16450 AC	\$357.14
Extended Cab	#	6L3Z 16450 BD	\$357.14
Crew Cab	#	6L3Z 16450 CE	\$357.14

Chrome

4" Dia

Regular Cab	#	4L3Z 16450 KAC	\$357.14
Extended Cab	#	4L3Z 16450 LAC	\$392.86
Crew Cab	#	4L3Z 16450 MAC	\$428.57

5" Dia

Regular Cab	#	6L3Z 16450 AB	\$464.29
Extended Cab	#	6L3Z 16450 BC	\$485.71
Crew Cab	#	6L3Z 16450 CD	\$535.71

#See Headnotes for Labor Time

2 Bracket, Mounting (a)¶

Rectangular

N.A.

Tubular

4" Dia

4L3Z 16N470 BA \$79.93

5" Dia

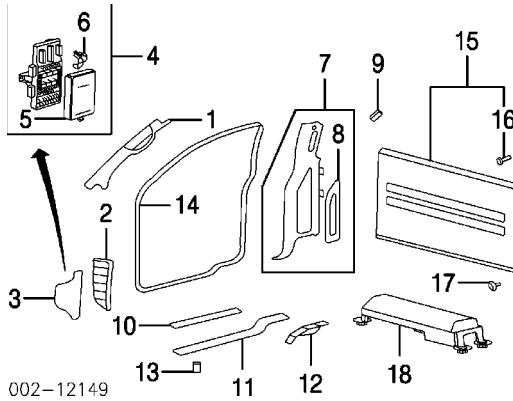
4L3Z 16N470 AA \$66.62

¶Contains Both Sides

(a) Included w/Step Rail Kit

2004 Ford New Pickup XLT Pickup F150

**INTERIOR TRIM
REGULAR CAB**



002-12149

R&I Headliner

1.5

1 Garnish, Inside Windshield-See Windshield Section

2 Panel, Cowl Trim

Black

R .2 4L3Z 1502344 AAA \$27.48

L .2 4L3Z 1502345 AAA \$57.25

Flint

R .2 4L3Z 1502344 AAB \$22.90

L .2 4L3Z 1502345 AAB \$57.25

Pebble

R .2 4L3Z 1502344 AAC \$22.90

L .2 4L3Z 1502345 AAC \$57.25

3 Cover, Fuse Panel

Black

R 4L3Z 15023A98 AAA \$19.80

Flint

R 4L3Z 15023A98 AAB \$19.80

Pebble

R 4L3Z 15023A98 AAC \$19.80

4 Block Assy, Fuse¶

Man Windows

R 4L3Z 14A068 CH \$278.60

Pwr Windows

Heated Rear Window

R 4L3Z 14A068 AG \$278.60

Non-Heated Rear Window

R 4L3Z 14A068 BH \$293.08

¶Order by Application

Cover, Fuse Block (a)

5 Large

R 2L1Z 14A003 DA \$12.48

6 Small

R XF2Z 14A003 AA \$8.38

(a) Included w/Fuse Block Assy

7 Panel Assy, Pillar Trim

Black

R .3 4L3Z 15278D12 AAA\$130.50

L .3 4L3Z 15278D13 AAA\$121.82

Flint

R .3 4L3Z 15278D12 AAB\$108.75

L .3 4L3Z 15278D13 AAB\$120.83

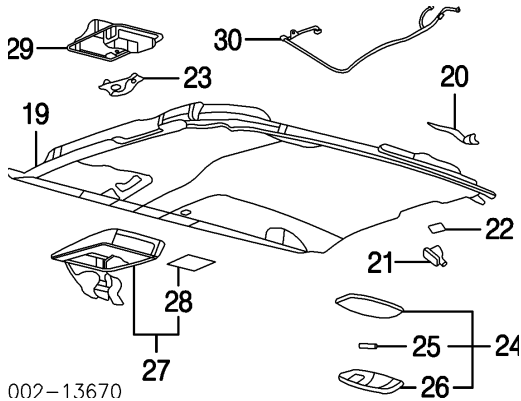
2004 Ford New Pickup XLT Pickup F150

Pebble		R	.3	4L3Z 15278D12 AAC	\$108.75
		L	.3	4L3Z 15278D13 AAC	\$118.12
8 Cover, Jack (b)					
Black		R		4L3Z 1545626 AAA	\$73.00
Flint		R		4L3Z 1545626 AAB	\$60.75
Pebble		R		4L3Z 1545626 AAC	\$60.75
(b) Included w/Pillar Trim Panel Assy					
9 Cap, Trim Panel					
Black		R		4L3Z 15234B76 AAA	\$5.48
		L		4L3Z 15234B76 AAA	\$5.48
Flint		R		4L3Z 15234B76 AAB	\$6.53
		L		4L3Z 15234B76 AAB	\$6.53
Pebble		R		4L3Z 15234B76 AAC	\$5.48
		L		4L3Z 15234B76 AAC	\$5.48
10 Plate, Outer Scuff (Adhesive)		04 R	.2	4L3Z 1513208 BAA	\$24.18
		L	.2	4L3Z 1513209 BAA	\$20.15
		05-0 R	.2	5L3Z 1513208 BAA	\$18.78
		L	.2	5L3Z 1513209 BAA	\$18.78
11 Plate, Inner Scuff					
Black		R	.2	4L3Z 1513208 AAA	\$46.70
		L	.2	4L3Z 1513209 AAA	\$46.70
Flint		R	.2	4L3Z 1513208 AAB	\$46.70
		L	.2	4L3Z 1513209 AAB	\$46.70
Pebble		R	.2	4L3Z 1513208 AAC	\$46.70
		L	.2	4L3Z 1513209 AAC	\$46.70
12 Bracket, Scuff Plate		R		4L3Z 15132A14 AA	\$25.53
		L		4L3Z 15132A14 AB	\$25.53
13 Retainer, Scuff Plate (3/Side)		R		9L3Z 1513284 A	\$5.07
		L		9L3Z 1513284 A	\$5.07
14 W/Strip, Door Opng (On Body)					
	2004	R	.4	7L3Z 1520708 A	\$143.27
		L	.4	7L3Z 1520709 A	\$143.27
	2005				
To 11-28-04		R	.4	7L3Z 1520708 A	\$143.27
		L	.4	7L3Z 1520709 A	\$143.27
From 11-29-04		R	.4	7L3Z 1520708 A	\$143.27
		L	.4	7L3Z 1520709 A	\$143.27
2006-08		R	.4	7L3Z 1520708 A	\$143.27
		L	.4	7L3Z 1520709 A	\$143.27
15 Panel Assy, Back Trim					
	2004				

2004 Ford New Pickup XLT Pickup F150

Black		.3	4L3Z 1540374 AAA	\$162.60
Flint		.3	4L3Z 1540374 AAB	\$160.33
Pebble		.3	4L3Z 1540374 AAC	\$135.50
	2005			
Black		.3	5L3Z 1540374 AAA	\$215.22
Flint		.3	5L3Z 1540374 AAB	\$239.13
Pebble		.3	5L3Z 1540374 AAC	\$220.88
	2006			
To 8-8-05				
Black		.3	5L3Z 1540374 AAA	\$215.22
Flint		.3	5L3Z 1540374 AAB	\$239.13
Pebble		.3	5L3Z 1540374 AAC	\$220.88
From 8-9-05 to 12-5-05				
Black		.3	6L3Z 1540374 AAA	\$188.58
Flint		.3	6L3Z 1540374 AAB	\$230.77
Pebble		.3	6L3Z 1540374 AAC	\$178.78
From 12-6-05				
Black		.3	6L3Z 1540374 BA	\$194.42
Flint		.3	6L3Z 1540374 BB	\$201.17
Pebble		.3	6L3Z 1540374 BC	\$201.18
2007-08				
Black		.3	6L3Z 1540374 BA	\$194.42
Flint		.3	6L3Z 1540374 BB	\$201.17
Pebble		.3	6L3Z 1540374 BC	\$201.18
16 Clip, Upper Trim (c)	R		* N807154 S	\$2.00
	L		* N807154 S	\$2.00
(c) Included w/Back Trim Panel Assy				
17 Clip, Lower Trim				
Black	R		* W706815 SSA	\$2.00
	L		* W706815 SSA	\$2.00
Flint	R		* W706815 SSB	\$2.00
	L		* W706815 SSB	\$2.00
Pebble	R		* W706815 SSC	\$2.00
	L		* W706815 SSC	\$2.00
18 Sub-Woofers				
	2004		7L3Z 18C804 A	\$396.01
	2005			
To 11-29-04			7L3Z 18C804 A	\$396.01
From 11-30-04			5L3Z 18C804 AA	\$372.56
	2006			
To 8-8-05			5L3Z 18C804 AA	\$372.56
From 8-9-05			7L3Z 18C804 A	\$396.01
2007-08			7L3Z 18C804 A	\$396.01

2004 Ford New Pickup XLT Pickup F150



002-13670

19 Headliner

2004-06

w/Overhead Console

Black, Flint

1.5 7L3Z 1551944 FB \$827.75

Pebble

1.5 7L3Z 1551944 FA \$827.75

w/o Overhead Console

Black, Flint

1.5 7L3Z 1551944 EB \$867.43

Pebble

1.5 7L3Z 1551944 EA \$1,040.92

2007

To 12-4-06

w/Overhead Console

Black, Flint

1.5 7L3Z 1551944 FB \$827.75

Pebble

1.5 7L3Z 1551944 FA \$827.75

w/o Overhead Console

Black, Flint

1.5 7L3Z 1551944 EB \$867.43

Pebble

1.5 7L3Z 1551944 EA \$1,040.92

From 12-5-06

w/Overhead Console

Black, Flint

1.5 7L3Z 1551944 FB \$827.75

Pebble

1.5 7L3Z 1551944 FA \$827.75

w/o Overhead Console

Black, Flint

1.5 7L3Z 1551944 EB \$867.43

Pebble

1.5 7L3Z 1551944 EA \$1,040.92

2008

w/Overhead Console

Black, Flint

1.5 7L3Z 1551944 FB \$827.75

Pebble

1.5 7L3Z 1551944 FA \$827.75

w/o Overhead Console

Black, Flint

1.5 7L3Z 1551944 EB \$867.43

Pebble

1.5 7L3Z 1551944 EA \$1,040.92

20 Bracket, Headliner

R

4L3Z 1529019 AA \$25.73

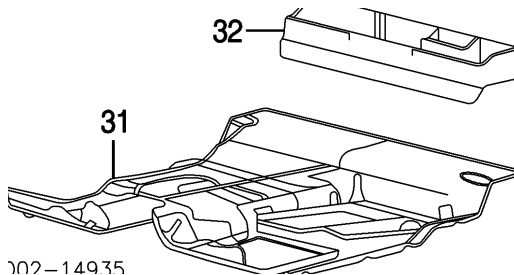
L

4L3Z 1529019 AB \$25.73

21 Hook, Coat

2004 Ford New Pickup XLT Pickup F150

Black, Flint	R	.1	3L2Z 7829024 BAA	\$9.43
	L	.1	3L2Z 7829024 BAA	\$9.43
Pebble	R	.1	1L2Z 7829024 AAA	\$12.23
	L	.1	1L2Z 7829024 AAA	\$12.23
22 Clip Set, Retainer (d) (e)			1L2Z 78519R44 AB	\$2.75
(d) Set of 4				
(e) As Required				
23 Cover, Striker				
Black	R		4L3Z 15264B82 AAA	\$15.90
	L		4L3Z 15264B83 AAA	\$15.90
Flint	R		4L3Z 15264B82 AAB	\$15.90
	L		4L3Z 15264B83 AAB	\$15.90
Pebble	R		4L3Z 15264B82 AAC	\$15.90
	L		4L3Z 15264B83 AAC	\$15.90
24 Lamp Assy, Dome/Reading		.3	YF1Z 13776 AA	\$42.27
25 Bulb, Lamp (3) (f)			F58Z 13466 A	\$2.90
26 Lens, Lamp (f)			YF1Z 13783 AA	\$10.27
(f) Included w/Dome/Reading Lamp Assy				
27 Console Assy, Overhead				
Black, Flint		.2	4L3Z 15519A70 AAB	\$302.35
Pebble		.2	4L3Z 15519A70 AAA	\$302.35
28 Mat, Console (g)			4L3Z 7813586 AAA	\$18.63
(g) Included w/Overhead Console Assy				
29 Bracket, Console			4L3Z 15045B34 BA	\$178.22
30 Harness, Roof Lamp (h)			4L3Z 14335 FA	\$114.48
(h) Order by Application				



100-14935

31 Covering, Floor				
Carpet				
w/Sub-Woofer	04		4L3Z 1513000 LAA	\$413.20
	05-08		5L3Z 1513000 LAA	\$418.20
w/o Sub-Woofer	04		4L3Z 1513000 BAA	\$413.20
	05-08		5L3Z 1513000 BAA	\$400.28
Vinyl				
w/Sub-Woofer	04		4L3Z 1513010 GAA	\$372.36

2004 Ford New Pickup XLT Pickup F150

w/o Sub-Woofer

05-08	5L3Z 1513010 DAA	\$311.07
04	4L3Z 1513010 FAA	\$354.63
05-08	5L3Z 1513010 JAA	\$282.24

¶Order by Application

32 Box, Storage

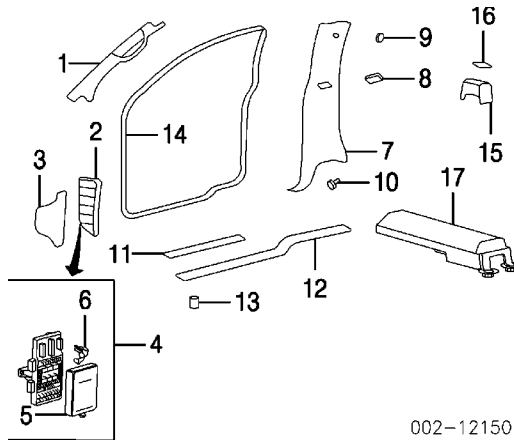
Factory Installed

05-08	5L3Z 15115A00 AAA	\$156.05
-------	-------------------	----------

Dealer Installed

.4	4L3Z 78115A00 BA	\$99.71
----	------------------	---------

**INTERIOR TRIM
EXTENDED CAB**



002-12150

R&I Headliner

2.0

1 Garnish, Inside Windshield-See Windshield Section

2 Panel, Cowl Trim

Black

R	.2	4L3Z 1502344 AAA	\$27.48
L	.2	4L3Z 1502345 AAA	\$57.25

Flint

R	.2	4L3Z 1502344 AAB	\$22.90
L	.2	4L3Z 1502345 AAB	\$57.25

Pebble

R	.2	4L3Z 1502344 AAC	\$22.90
L	.2	4L3Z 1502345 AAC	\$57.25

3 Cover, Fuse Panel

Black

R		4L3Z 15023A98 AAA	\$19.80
---	--	-------------------	---------

Flint

R		4L3Z 15023A98 AAB	\$19.80
---	--	-------------------	---------

Pebble

R		4L3Z 15023A98 AAC	\$19.80
---	--	-------------------	---------

4 Block Assy, Fuse¶

Man Windows

R		4L3Z 14A068 CH	\$278.60
---	--	----------------	----------

Pwr Windows

Heated Rear Window

R		4L3Z 14A068 AG	\$278.60
---	--	----------------	----------

Non-Heated Rear Window

R		4L3Z 14A068 BH	\$293.08
---	--	----------------	----------

¶Order by Application

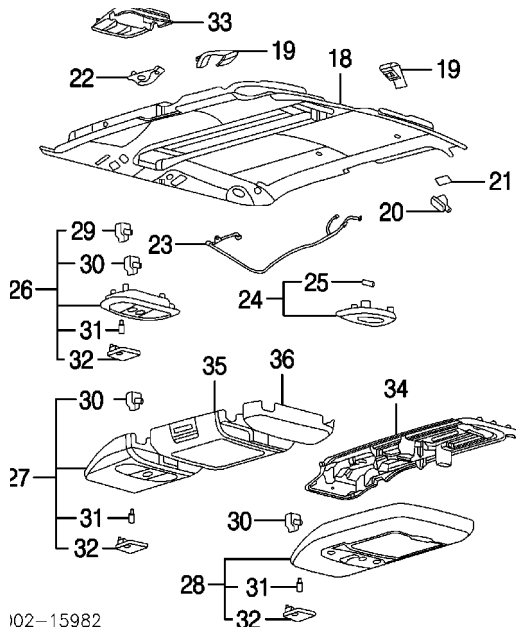
Cover, Fuse Block (a)

2004 Ford New Pickup XLT Pickup F150

5	Large	R		2L1Z 14A003 DA	\$12.48
6	Small	R		XF2Z 14A003 AA	\$8.38
(a) Included w/Fuse Block Assy					
7	Panel, Pillar Trim				
	Black	R	.2	6L3Z 18278D12 AA	\$99.90
		L	.2	6L3Z 18278D13 AA	\$99.90
	Flint	R	.2	6L3Z 18278D12 AB	\$99.90
		L	.2	6L3Z 18278D13 AB	\$99.90
	Pebble	R	.2	6L3Z 18278D12 AC	\$99.90
		L	.2	6L3Z 18278D13 AC	\$99.90
8	Bezel, Trim Panel				
	Black	R		4L3Z 1660220 AAA	\$5.67
		L		4L3Z 1660220 AAA	\$5.67
	Flint	R		4L3Z 1660220 AAB	\$5.67
		L		4L3Z 1660220 AAB	\$5.67
	Pebble	R		4L3Z 1660220 AAC	\$5.67
		L		4L3Z 1660220 AAC	\$5.67
9	Cap, Trim Panel				
	Black	R		4L3Z 15234B76 AAA	\$5.48
		L		4L3Z 15234B76 AAA	\$5.48
	Flint	R		4L3Z 15234B76 AAB	\$6.53
		L		4L3Z 15234B76 AAB	\$6.53
	Pebble	R		4L3Z 15234B76 AAC	\$5.48
		L		4L3Z 15234B76 AAC	\$5.48
10	Clip, Lower Trim				
	Black	R		* W706815 SSA	\$2.00
		L		* W706815 SSA	\$2.00
	Flint	R		* W706815 SSB	\$2.00
		L		* W706815 SSB	\$2.00
	Pebble	R		* W706815 SSC	\$2.00
		L		* W706815 SSC	\$2.00
11	Plate, Outer Scuff (Adhesive)	04 R	.2	4L3Z 1513208 BAA	\$24.18
		L	.2	4L3Z 1513209 BAA	\$20.15
		05-0 R	.2	5L3Z 1513208 BAA	\$18.78
		L	.2	5L3Z 1513209 BAA	\$18.78
12	Plate, Inner Scuff				
	Black	R	.2	4L3Z 1813208 AAA	\$58.63
		L	.2	4L3Z 1813209 AAA	\$62.28
	Flint	R	.2	4L3Z 1813208 AAB	\$58.63
		L	.2	4L3Z 1813209 AAB	\$62.28
	Pebble	R	.2	4L3Z 1813208 AAC	\$58.63
		L	.2	4L3Z 1813209 AAC	\$62.28
13	Retainer, Scuff Plate (4/Side)	R		9L3Z 1513284 A	\$5.07

2004 Ford New Pickup XLT Pickup F150

	L	9L3Z 1513284 A	\$5.07
14 W/Strip, Door Opng (On Body)	R	.4 7L3Z 1820708 A	\$173.60
	L	.4 7L3Z 1820709 A	\$147.73
15 Bezel, Support			
Black		4L3Z 1660220 BAA	\$22.80
Flint		4L3Z 1660220 BAB	\$22.80
Pebble		4L3Z 1660220 BAC	\$22.80
16 Cap, Support			
Black		4L3Z 18601B32 AAA	\$6.88
Flint		4L3Z 18601B32 AAB	\$6.88
Pebble		4L3Z 18601B32 AAC	\$6.98
17 Sub-Woofers		7L3Z 18C804 B	\$396.01



102-15982			
18 Headliner			
w/Sunroof			
2004-05			
Black, Flint	2.0	7L3Z 1851944 JB	\$902.68
Pebble	2.0	4L3Z 1851944 DAA	\$684.32
	2006		
w/Harley-Davidson Model	2.0	6L3Z 1851944 JA	\$853.48
w/o Harley-Davidson Model			
Black, Flint	2.0	7L3Z 1851944 JB	\$902.68
Pebble	2.0	4L3Z 1851944 DAA	\$684.32
	2007		

2004 Ford New Pickup XLT Pickup F150

Black, Flint		2.0 7L3Z 1851944 JB	\$902.68
Pebble		2.0 4L3Z 1851944 DAA	\$684.32
From 12-5-06			
Black, Flint		2.0 7L3Z 1851944 JB	\$902.68
Pebble		2.0 7L3Z 1851944 JA	\$722.83
	2008		
Black, Flint		2.0 7L3Z 1851944 JB	\$902.68
Pebble		2.0 7L3Z 1851944 JA	\$722.83
w/o Sunroof			
w/Overhead Console			
	2004		
Black, Flint		2.0 7L3Z 1851944 ED	\$1,096.62
Pebble		2.0 7L3Z 1851944 EC	\$913.85
	2005		
w/Rail			
Black, Flint		2.0 5L3Z 1851944 GAB	\$1,012.53
Pebble		2.0 5L3Z 1851944 GAA	\$843.18
w/o Rail			
Black, Flint		2.0 7L3Z 1851944 EB	\$932.62
Pebble		2.0 7L3Z 1851944 EA	\$913.92
	2006		
w/Rail			
w/Harley-Davidson Model		2.0 6L3Z 1851944 GA	\$824.22
w/o Harley-Davidson Model		2.0 5L3Z 1851944 GAA	\$843.18
w/o Rail			
Black, Flint		2.0 7L3Z 1851944 EB	\$932.62
Pebble		2.0 7L3Z 1851944 EA	\$913.92
2007			
w/Rail			
Black, Flint		2.0 5L3Z 1851944 GAB	\$1,012.53
Pebble		2.0 5L3Z 1851944 GAA	\$843.18
w/o Rail			
Black, Flint		2.0 7L3Z 1851944 EB	\$932.62
Pebble		2.0 7L3Z 1851944 EA	\$913.92
	2008		
w/Rail			
Black, Flint		2.0 7L3Z 1851944 ED	\$1,096.62
Pebble		2.0 7L3Z 1851944 EC	\$913.85
w/o Rail			
Black, Flint		2.0 7L3Z 1851944 EB	\$932.62
Pebble		2.0 7L3Z 1851944 EA	\$913.92
w/o Overhead Console			
2005-06			

2004 Ford New Pickup XLT Pickup F150

Black, Flint		2.0	7L3Z 1851944 BB	\$892.25
Pebble		2.0	4L3Z 1851944 BAA	\$828.98
	2007			
To 12-4-06				
Black, Flint		2.0	7L3Z 1851944 BB	\$892.25
Pebble		2.0	4L3Z 1851944 BAA	\$828.98
From 12-5-06				
Black, Flint		2.0	7L3Z 1851944 BB	\$892.25
Pebble		2.0	7L3Z 1851944 BA	\$892.25
	2008			
Black, Flint		2.0	7L3Z 1851944 BB	\$892.25
Pebble		2.0	7L3Z 1851944 BA	\$892.25
¶Order by Application				
19 Bracket, Headliner				
w/Sunroof	R		4L3Z 1629019 BA	\$21.98
	L		4L3Z 1629019 BB	\$26.42
w/o Sunroof	R		4L3Z 1629019 AA	\$26.52
	L		4L3Z 1629019 AB	\$26.33
20 Hook, Coat				
Black, Flint				
w/Harley-Davidson Model	06-0 R		6L2Z 7829024 BA	\$14.13
	L		6L2Z 7829024 BA	\$14.13
w/o Harley-Davidson Model	R	.1	3L2Z 7829024 BAA	\$9.43
	L	.1	3L2Z 7829024 BAA	\$9.43
Pebble	R	.1	1L2Z 7829024 AAA	\$12.23
	L	.1	1L2Z 7829024 AAA	\$12.23
21 Clip Set, Retainer (b) (c)			1L2Z 78519R44 AB	\$2.75
(b) Set of 4				
(c) As Required				
22 Cover, Striker				
Black	R		4L3Z 15264B82 AAA	\$15.90
	L		4L3Z 15264B83 AAA	\$15.90
Flint	R		4L3Z 15264B82 AAB	\$15.90
	L		4L3Z 15264B83 AAB	\$15.90
Pebble	R		4L3Z 15264B82 AAC	\$15.90
	L		4L3Z 15264B83 AAC	\$15.90
23 Harness, Roof Lamp¶				
w/Sunroof			4L3Z 14335 DA	\$110.22
w/o Sunroof			5L3Z 14335 RA	\$105.00
¶Order by Application				
24 Lamp Assy, Dome				
w/Overhead Console	04-05		YF1Z 13776 CA	\$39.08
	06-08		YF1Z 13776 DA	\$28.32
w/o Overhead Console			YF1Z 13776 AA	\$42.27

2004 Ford New Pickup XLT Pickup F150

25	Bulb, Dome Lamp (c) (f)		F58Z 13466 A	\$2.90
	(c) As Required			
	Bracket, Lamp (f)		1L2Z 13763 DA	\$15.98
	(f) Included w/Dome Lamp Assy			
	Console Assy, Overhead			
26	w/Sunroof			
	Man Rear Window			
	2004-05			
	Black, Flint	.3	7L3Z 18519A70 AC	\$213.40
	Pebble	.3	7L3Z 18519A70 AA	\$220.17
				2006
	Black			
	w/Harley-Davidson Model	.3	6L3Z 18519A70 AC	\$213.65
	w/o Harley-Davidson Model	.3	7L3Z 18519A70 AC	\$213.40
	Flint	.3	7L3Z 18519A70 AC	\$213.40
	Pebble	.3	7L3Z 18519A70 AA	\$220.17
				2007
	To 12-4-06			
	Black, Flint	.3	7L3Z 18519A70 AC	\$213.40
	Pebble	.3	7L3Z 18519A70 AA	\$220.17
	From 12-5-06			
	Black, Flint	.3	7L3Z 18519A70 AC	\$213.40
	Pebble	.3	7L3Z 18519A70 AA	\$220.17
				2008
	Black, Flint	.3	7L3Z 18519A70 AC	\$213.40
	Pebble	.3	7L3Z 18519A70 AA	\$220.17
	Pwr Rear Window			
	2004-05			
	Black, Flint	.3	7L3Z 18519A70 BC	\$352.05
	Pebble	.3	7L3Z 18519A70 BA	\$350.87
				2006
	Black			
	w/Harley-Davidson Model	.3	7L3Z 18519A70 BB	\$320.73
	w/o Harley-Davidson Model	.3	7L3Z 18519A70 BC	\$352.05
	Flint	.3	7L3Z 18519A70 BC	\$352.05
	Pebble	.3	7L3Z 18519A70 BA	\$350.87
				2007
	To 12-4-06			
	Black, Flint	.3	7L3Z 18519A70 BC	\$352.05
	Pebble	.3	7L3Z 18519A70 BA	\$350.87

2004 Ford New Pickup XLT Pickup F150

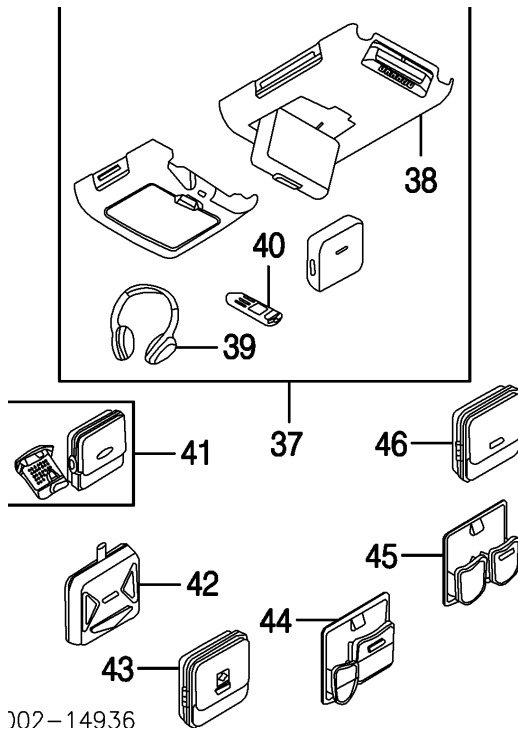
From 12-5-06				
	Black, Flint		.3 7L3Z 18519A70 BC	\$352.05
	Pebble		.3 7L3Z 18519A70 BA	\$350.87
		2008		
	Black, Flint		.3 7L3Z 18519A70 BC	\$352.05
	Pebble		.3 7L3Z 18519A70 BA	\$350.87
	w/o Sunroof			
27	w/Rail			
	Fixed, Man Rear Window			
	Black			
	w/Harley-Davidson Model	06-0	.3 6L3Z 18519A70 AA	\$245.38
	w/o Harley-Davidson Model¶¶	04-0	.3 7L3Z 18519A70 BF	\$245.38
		08	.3 7L3Z 18519A70 BF	\$245.38
	Flint			
	2004-06		.3 7L3Z 18519A70 BF	\$245.38
	2007¶¶		.3 7L3Z 18519A70 BF	\$245.38
		2008	.3 7L3Z 18519A70 BF	\$245.38
	Pebble			
	2004-06		.3 4L3Z 18519A70 AAJ	\$231.53
	2007¶¶		.3 4L3Z 18519A70 AAJ	\$231.53
		2008	.3 7L3Z 18519A70 BD	\$294.47
	Pwr Rear Window			
	Black			
	w/Harley-Davidson Model	06-0	.3 6L3Z 18519A70 BA	\$266.75
	w/o Harley-Davidson Model¶¶	04-0	.3 7L3Z 18519A70 AF	\$320.40
		07-0	.3 7L3Z 18519A70 AF	\$320.40
	Flint			
	2004-06		.3 7L3Z 18519A70 AF	\$320.40
	2007¶¶		.3 7L3Z 18519A70 AF	\$320.40
		2008	.3 7L3Z 18519A70 AF	\$320.40
	Pebble			
	2004-06		.3 7L3Z 18519A70 AD	\$282.63
	2007¶¶		.3 7L3Z 18519A70 AD	\$282.63
		2008	.3 7L3Z 18519A70 AD	\$282.63
28	w/o Rail			
	Fixed, Man Rear Window			
	Black, Flint			
	2004-06		.3 8L3Z 16519A70 AB	\$366.40
	2007¶¶		.3 8L3Z 16519A70 AB	\$366.40

2004 Ford New Pickup XLT Pickup F150

	2008	.3	8L3Z 16519A70 AB	\$366.40
Pebble				
2004-06		.3	8L3Z 16519A70 AA	\$333.92
2007¶		.3	8L3Z 16519A70 AA	\$333.92
	2008	.3	8L3Z 16519A70 AA	\$333.92
Pwr Rear Window				
Black, Flint				
2004-06		.3	8L3Z 16519A70 BB	\$362.25
2007¶		.3	8L3Z 16519A70 BB	\$362.25
	2008	.3	8L3Z 16519A70 BB	\$362.25
Pebble				
2004-06		.3	8L3Z 16519A70 BA	\$339.28
2007¶		.3	8L3Z 16519A70 BA	\$339.28
	2008	.3	8L3Z 16519A70 BA	\$339.28
¶Order by Application				
29 Switch, Sunroof (d)		.2	5L1Z 14529 CB	\$63.00
30 Switch, Rear Power Window				
w/Sunroof (d)		.2	5L3Z 14529 BB	\$46.98
w/o Sunroof				
w/Rail (d)		.2	5L3Z 14529 BB	\$46.98
w/o Rail		.2	5L3Z 14529 BB	\$46.98
31 Bulb, Map Lamp (d)	R		D8BZ 13466 A	\$1.90
	L		D8BZ 13466 A	\$1.90
32 Lens, Map Lamp (d)	R		4L3Z 13783 AA	\$116.08
	L		4L3Z 13783 AA	\$116.08
(d) Included w/Overhead Console Assy				
Bracket, Console				
33 w/Sunroof		#.2	4L3Z 18045B34 AA	\$180.55
34 w/o Sunroof				
w/o Rail		#.2	7L3Z 18045B34 A	\$233.93
#w/Console Removed				
35 Compartment, Storage				
w/o Sunroof				
Factory Installed				
w/Harley-Davidson Model	06		6L3Z 18519A70 AB	\$305.58
w/o Harley-Davidson Model				
Black, Flint			4L3Z 18519A70 AAM	\$95.51
Pebble			4L3Z 18519A70 AAL	\$95.51
	2006			
Dealer Installed¶				
Black, Flint			V5L3Z 78519A70	\$192.36

2004 Ford New Pickup XLT Pickup F150

Pebble		V5L3Z 78519A70	\$192.36
¶Order by Application			
36 Cover, Compartment			
w/o Sunroof			
w/Harley-Davidson Model	06	6L3Z 18518B48 AA	\$90.58
w/o Harley-Davidson Model			
Black, Flint		4L3Z 18518B48 AAD	\$86.30
Pebble		4L3Z 18518B48 AAC	\$97.97



37 System Kit, Entertainment¶
Dealer Installed

2004-Serviced by Components

	2005		
To 11-29-04			
Black, Flint		.4 5L3Z 19G323 BAB	\$1,427.14
Pebble		.4 5L3Z 19G323 BAA	\$1,427.14
From 11-30-04			
Black, Flint		.4 5L3Z 19G323 AAB	\$1,427.14
Pebble		.4 5L3Z 19G323 AAA	\$1,427.14
	2006		
Black, Flint		.4 5L3Z 19G323 AAB	\$1,427.14
Pebble		.4 5L3Z 19G323 AAA	\$1,427.14

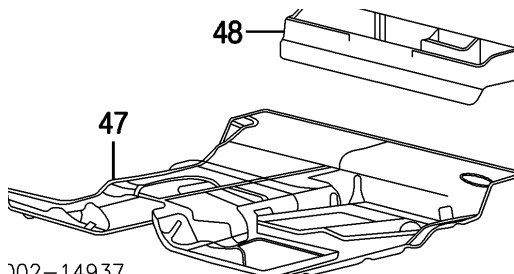
2004 Ford New Pickup XLT Pickup F150

2007-08-Serviced by Components

38 Player, DVD (e)¶			
Dealer Installed			
	2004		
Black, Flint		.3 4L3Z 10E947 AAC	\$2,043.09
Pebble		.3 4L3Z 10E947 AAA	\$1,531.51
2005-06			
Black, Flint		.3 5L3Z 10E947 BAB	
Pebble		.3 5L3Z 10E947 BAA	
	2007		
Black, Flint		.3 7L1Z 10E947 GAC	
Pebble		.3 7L1Z 10E947 GAA	
	2008		
Black, Flint		.3 8L3Z 10E947 GB	
Pebble		.3 8L3Z 10E947 GA	
39 Headphone Kit (e) (c)¶	04-06	YL1Z 18C604 AA	\$59.39
	07-08	7L1Z 18C604 B	\$62.36
(c) As Required			
¶Order by Application			
40 Remote, DVD (e)	04-06	2L2Z 18C908 AA	\$24.23
	07-08	7L1Z 18C908 C	\$56.96

(e) Included w/Entertainment System Kit

41 Converter, Voltage			
Dealer Installed		V4L3Z 15052 AA	\$255.99
42 Holder, Tissue			
Dealer Installed		V4L3Z 78045C22 AB	\$91.81
43 Aid Kit, First			
Dealer Installed		1W7Z 19F515 AB	\$21.43
44 Holder, Telephone			
Dealer Installed		V4L3Z 19A384 AA	\$79.14
45 Holder, Sunglass			
Dealer Installed		V4L3Z 7811586 AA	\$79.14
46 Holder, CD			
Dealer Installed		V4L3Z 7813562 BA	\$92.39



100-14937

47 Covering, Floor¶

2004 Ford New Pickup XLT Pickup F150

Carpet

w/Flow Thru Console

04 4L3Z 1813000 FAA \$504.80
05-08 5L3Z 1813000 FAA \$520.15

w/o Flow Thru Console

04 4L3Z 1813000 BAA \$504.80
05-08 5L3Z 1813000 BAA \$500.15

Vinyl

2WD

4L3Z 1813010 DAA \$471.49

4WD

4L3Z 1813010 HAA \$464.80

¶Order by Application

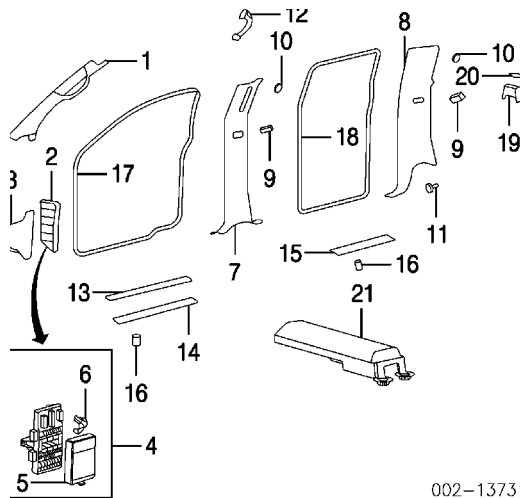
48 Box, Storage

Dealer Installed

.4 4L3Z 78115A00 AA \$135.16

INTERIOR TRIM

CREW CAB



002-1373

1 Gamish, Inside Windshield-See Windshield Section

2 Panel, Cowl Trim

Black

R .2 4L3Z 1502344 AAA \$27.48

L .2 4L3Z 1502345 AAA \$57.25

Flint

R .2 4L3Z 1502344 AAB \$22.90

L .2 4L3Z 1502345 AAB \$57.25

Pebble

R .2 4L3Z 1502344 AAC \$22.90

L .2 4L3Z 1502345 AAC \$57.25

3 Cover, Fuse Panel

Black

R 4L3Z 15023A98 AAA \$19.80

Flint

R 4L3Z 15023A98 AAB \$19.80

Pebble

R 4L3Z 15023A98 AAC \$19.80

4 Block Assy, Fuse¶

Man Windows

R 4L3Z 14A068 CH \$278.60

Pwr Windows

Heated Rear Window

R 4L3Z 14A068 AG \$278.60

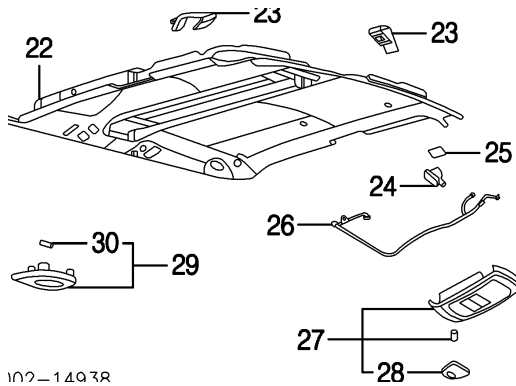
2004 Ford New Pickup XLT Pickup F150

Non-Heated Rear Window	R	4L3Z 14A068 BH	\$293.08
¶Order by Application			
Cover, Fuse Block (a)			
5 Large	R	2L1Z 14A003 DA	\$12.48
6 Small	R	XF2Z 14A003 AA	\$8.38
(a) Included w/Fuse Block Assy			
7 Panel, Center Pillar Trim			
Black	R	.2 4L3Z 1624356 AAA	\$169.20
	L	.2 4L3Z 1624357 AAA	\$169.20
Flint	R	.2 4L3Z 1624356 AAB	\$169.20
	L	.2 4L3Z 1624357 AAB	\$169.20
Pebble	R	.2 4L3Z 1624356 AAC	\$141.00
	L	.2 4L3Z 1624357 AAC	\$141.00
8 Panel, Rear Pillar Trim			
Black	R	.2 4L3Z 16278D12 AAA	\$100.72
	L	.2 4L3Z 16278D13 AAA	\$100.72
Flint	R	.2 4L3Z 16278D12 AAB	\$100.72
	L	.2 4L3Z 16278D13 AAB	\$100.72
Pebble	R	.2 4L3Z 16278D12 AAC	\$100.72
	L	.2 4L3Z 16278D13 AAC	\$100.72
9 Bezel, Trim Panel (2/Side)			
Black	R	4L3Z 1660220 AAA	\$5.67
	L	4L3Z 1660220 AAA	\$5.67
Flint	R	4L3Z 1660220 AAB	\$5.67
	L	4L3Z 1660220 AAB	\$5.67
Pebble	R	4L3Z 1660220 AAC	\$5.67
	L	4L3Z 1660220 AAC	\$5.67
10 Cap, Trim Panel (2/Side)			
Black	R	4L3Z 15234B76 AAA	\$5.48
	L	4L3Z 15234B76 AAA	\$5.48
Flint	R	4L3Z 15234B76 AAB	\$6.53
	L	4L3Z 15234B76 AAB	\$6.53
Pebble	R	4L3Z 15234B76 AAC	\$5.48
	L	4L3Z 15234B76 AAC	\$5.48
11 Clip, Rear Lower Trim			
Black	R	* W706815 SSA	\$2.00
	L	* W706815 SSA	\$2.00
Flint	R	* W706815 SSB	\$2.00
	L	* W706815 SSB	\$2.00
Pebble	R	* W706815 SSC	\$2.00
	L	* W706815 SSC	\$2.00
12 Grip, Assist			
Black	R	.1 4L3Z 1631406 AAA	\$49.62
	L	.1 4L3Z 1631407 AAA	\$51.10

2004 Ford New Pickup XLT Pickup F150

Flint	R	.1	4L3Z 1631406 AAB	\$37.92
	L	.1	4L3Z 1631407 AAB	\$45.50
Pebble	R	.1	4L3Z 1631406 AAC	\$45.50
	L	.1	4L3Z 1631407 AAC	\$45.50
13 Plate, Front Outer Scuff (Adhesive)	04 R	.2	4L3Z 1513208 BAA	\$24.18
	L	.2	4L3Z 1513209 BAA	\$20.15
	05-0 R	.2	5L3Z 1513208 BAA	\$18.78
	L	.2	5L3Z 1513209 BAA	\$18.78
14 Plate, Front Inner Scuff				
Black	R	.2	4L3Z 1613208 AAA	\$35.18
	L	.2	4L3Z 1613209 AAA	\$36.37
Flint	R	.2	4L3Z 1613208 AAB	\$35.18
	L	.2	4L3Z 1613209 AAB	\$36.37
Pebble	R	.2	4L3Z 1613208 AAC	\$35.10
	L	.2	4L3Z 1613209 AAC	\$36.37
15 Plate, Rear Scuff				
Black	R	.2	4L3Z 1613228 AAA	\$26.48
	L	.2	4L3Z 1613229 AAA	\$26.48
Flint	R	.2	4L3Z 1613228 AAB	\$26.48
	L	.2	4L3Z 1613229 AAB	\$26.48
Pebble	R	.2	4L3Z 1613228 AAC	\$26.48
	L	.2	4L3Z 1613229 AAC	\$26.48
16 Retainer, Scuff Plate (4/Side)	R		9L3Z 1513284 A	\$5.07
	L		9L3Z 1513284 A	\$5.07
17 W/Strip, Front Door Opng (On Body)	R	.4	7L3Z 1620708 A	\$107.60
	L	.4	7L3Z 1620709 A	\$107.60
18 W/Strip, Rear Door Opng (On Body)	R	.4	7L3Z 16253A10 A	\$102.00
	L	.4	7L3Z 16253A11 A	\$102.00
19 Bezel, Support				
Black			4L3Z 1660220 BAA	\$22.80
Flint			4L3Z 1660220 BAB	\$22.80
Pebble			4L3Z 1660220 BAC	\$22.80
20 Cap, Support				
Black			4L3Z 18601B32 AAA	\$6.88
Flint			4L3Z 18601B32 AAB	\$6.88
Pebble			4L3Z 18601B32 AAC	\$6.98
21 Sub-Woofers			7L3Z 18C804 B	\$396.01

2004 Ford New Pickup XLT Pickup F150



107-1403R

22 Headliner

w/Sunroof

2004-06

Black, Flint

2.5 7L3Z 1651944 DD \$900.83

Pebble

2.5 7L3Z 1651944 DB \$900.83

2007-08

w/Harley-Davidson Model

2.5 7L3Z 1651944 DA \$900.83

w/o Harley-Davidson Model

Black, Flint

2.5 7L3Z 1651944 DD \$900.83

Pebble

2.5 7L3Z 1651944 DB \$900.83

w/o Sunroof

2004

w/DVD Player

Black, Flint

2.5 4L3Z 1651944 EAB \$912.57

Pebble

2.5 7L3Z 1651944 SA \$1,059.37

w/o DVD Player

Black, Flint

2.5 7L3Z 1651944 TC \$1,068.18

Pebble

2.5 7L3Z 1651944 TA \$924.10

2005-06

w/DVD Player

Black, Flint

2.5 5L3Z 1651944 GAB \$915.95

Pebble

2.5 5L3Z 1651944 GA \$1,097.53

w/o DVD Player

w/Rails

Black, Flint

2.5 5L3Z 1651944 HAB \$1,099.13

Pebble

2.5 5L3Z 1651944 HA \$1,099.13

w/o Rails

Black, Flint

2.5 7L3Z 1651944 RD \$898.58

Pebble

2.5 7L3Z 1651944 RB \$898.58

2007

w/Harley-Davidson Model

2004 Ford New Pickup XLT Pickup F150

w/DVD Player		2.5	7L3Z 1651944 MC	
w/o DVD Player				
w/Rails		2.5	7L3Z 1651944 LA	\$870.53
w/o Rails		2.5	7L3Z 1651944 RA	
w/o Harley-Davidson Model				
w/DVD Player		2.5	5L3Z 1651944 GAB	\$915.95
w/o DVD Player				
w/Rails		2.5	5L3Z 1651944 HAB	\$1,099.13
w/o Rails		2.5	7L3Z 1651944 RD	\$898.58
2008†				
w/Harley-Davidson Model		2.5	8L3Z 1651944 SB	\$886.47
w/o Harley-Davidson Model		2.5	8L3Z 1651944 TC	\$1,072.57

†Order by Application

23 Bracket, Headliner				
w/Sunroof	R		4L3Z 1629019 BA	\$21.98
	L		4L3Z 1629019 BB	\$26.42
w/o Sunroof	R		4L3Z 1629019 AA	\$26.52
	L		4L3Z 1629019 AB	\$26.33
24 Hook, Coat				
2004-06				
Black, Flint	R	.1	3L2Z 7829024 BAA	\$9.43
	L	.1	3L2Z 7829024 BAA	\$9.43
Pebble	R	.1	1L2Z 7829024 AAA	\$12.23
	L	.1	1L2Z 7829024 AAA	\$12.23
2007-08				
w/Harley-Davidson Model	R	.1	6L2Z 7829024 BA	\$14.13
	L	.1	6L2Z 7829024 BA	\$14.13
w/o Harley-Davidson Model				
Black, Flint	R	.1	3L2Z 7829024 BAA	\$9.43
	L	.1	3L2Z 7829024 BAA	\$9.43
Pebble	R	.1	1L2Z 7829024 AAA	\$12.23
	L	.1	1L2Z 7829024 AAA	\$12.23
25 Clip Set, Retainer (b) (c)				
(b) Set of 4				
(c) As Required				
26 Harness, Roof Lamp†				
w/Sunroof			5L3Z 14335 GA	\$107.98
w/o Sunroof			5L3Z 14335 MA	\$107.98
†Order by Application				
27 Lamp Assy, Dome/Reading				
Black, Flint		.2	7L3Z 13776 BA	\$118.33

2004 Ford New Pickup XLT Pickup F150

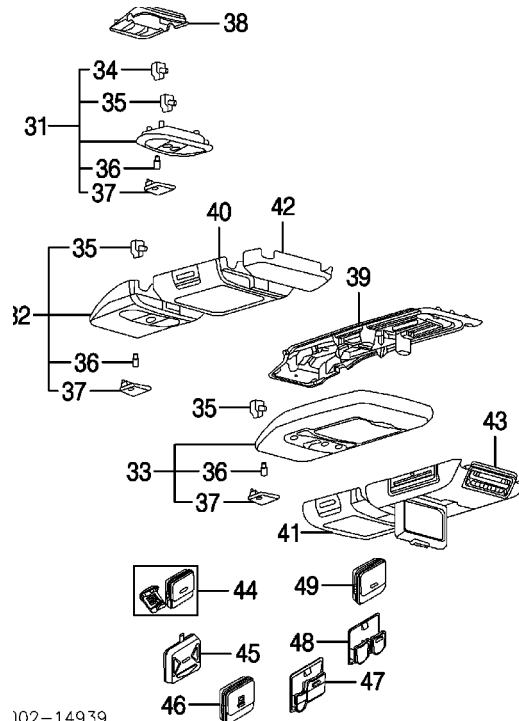
Pebble		.2	7L3Z 13776 AA	\$113.85
28 Lens, Lamp (d)	R		4L3Z 13783 AA	\$116.08
	L		4L3Z 13783 AA	\$116.08

(d) Included w/Dome/Reading Lamp Assy

29 Lamp Assy, Dome			YF1Z 13776 CA	\$39.08
30 Bulb, Dome Lamp (e)			F58Z 13466 A	\$2.90

(e) Included w/Dome Lamp Assy

Console Assy, Overhead



102-14939				
31 w/Sunroof				
Man Rear Window				
Black, Flint				
2004-06		.3	7L3Z 18519A70 AC	\$213.40
2007-08¶				
w/Harley-Davidson Model		.3	6L3Z 18519A70 AC	\$213.65
w/o Harley-Davidson Model		.3	7L3Z 18519A70 DB	\$372.63
Pebble				
2004-05		.3	7L3Z 18519A70 AA	\$220.17
	2006			
To 8-8-05		.3	7L3Z 18519A70 AA	\$220.17

2004 Ford New Pickup XLT Pickup F150

	From 8-9-05	.3	7L3Z 18519A70 AA	\$220.17
	2007-08¶	.3	7L3Z 18519A70 DA	\$361.15
	Pwr Rear Window			
	2004-06			
	Black, Flint	.3	7L3Z 18519A70 BC	\$352.05
	Pebble	.3	7L3Z 18519A70 BA	\$350.87
	2007-08¶			
	w/Harley-Davidson Model	.3	7L3Z 18519A70 BB	\$320.73
	w/o Harley-Davidson Model			
	Black, Flint	.3	7L3Z 18519A70 CB	\$339.87
	Pebble	.3	7L3Z 18519A70 CA	\$339.87
	w/o Sunroof			
32	w/Rail¶			
	Fixed, Man Rear Window			
	Black, Flint	.3	7L3Z 18519A70 BF	\$245.38
	Pebble	.3	4L3Z 18519A70 AAJ	\$231.53
	Pwr Rear Window			
	Black, Flint	.3	7L3Z 18519A70 AF	\$320.40
	Pebble	.3	7L3Z 18519A70 AD	\$282.63
33	w/o Rail¶			
	Fixed, Man Rear Window			
	Black, Flint	.3	8L3Z 16519A70 AB	\$366.40
	Pebble	.3	8L3Z 16519A70 AA	\$333.92
	Pwr Rear Window			
	Black, Flint	.3	8L3Z 16519A70 BB	\$362.25
	Pebble	.3	8L3Z 16519A70 BA	\$339.28
	¶Order by Application			
34	Switch, Sunroof (f)	.2	5L1Z 14529 CB	\$63.00
35	Switch, Rear Power Window			
	w/Sunroof (f)	.2	5L3Z 14529 BB	\$46.98
	w/o Sunroof			
	w/Rail (f)	.2	5L3Z 14529 BB	\$46.98
	w/o Rail	.2	5L3Z 14529 BB	\$46.98
36	Bulb, Map Lamp (f)			
		R	D8BZ 13466 A	\$1.90
		L	D8BZ 13466 A	\$1.90
37	Lens, Map Lamp (f)			
		R	4L3Z 13783 AA	\$116.08
		L	4L3Z 13783 AA	\$116.08

(f) Included w/Overhead Console Assy

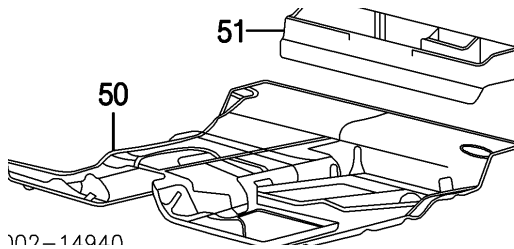
Bracket, Console

2004 Ford New Pickup XLT Pickup F150

38	w/Sunroof	#.2	4L3Z 18045B34 AA	\$180.55
39	w/o Sunroof	#.2	7L3Z 18045B34 A	\$233.93
	#w/Console Removed			
40	Compartment, Front¶			
	w/o Sunroof			
	Black, Flint		4L3Z 18519A70 AAM	\$95.51
	Pebble		4L3Z 18519A70 AAL	\$95.51
41	Compartment, Rear¶			
	w/DVD Player			
	Black, Flint		6L3Z 16519A70 AB	\$276.42
	Pebble		6L3Z 16519A70 AA	\$151.37
	¶Order by Application			
42	Cover, Compartment			
	w/o DVD Player			
	2004-06			
	Black, Flint		4L3Z 18518B48 AAD	\$86.30
	Pebble		4L3Z 18518B48 AAC	\$97.97
	2007-08			
	w/Harley-Davidson Model		6L3Z 18518B48 AA	\$90.58
	w/o Harley-Davidson Model			
	Black, Flint		4L3Z 18518B48 AAD	\$86.30
	Pebble		4L3Z 18518B48 AAC	\$97.97
43	Player, DVD			
		2004		
	Black, Flint		4L3Z 10E947 AAC	\$2,043.09
	Pebble		4L3Z 10E947 AAA	\$1,531.51
		2005		
	To 11-29-04			
	Black, Flint		5L3Z 10E947 BAB	
	Pebble		5L3Z 10E947 BAA	
	From 11-30-04			
	Black, Flint		5L3Z 10E947 AAB	
	Pebble		5L3Z 10E947 AAA	
		2006		
	Black, Flint		5L3Z 10E947 AAB	
	Pebble		5L3Z 10E947 AAA	
	2007-08¶			
	Black		7L1Z 10E947 GAB	
	Flint		7L1Z 10E947 GAC	
	Pebble		7L1Z 10E947 GAA	
	Headphone Kit¶	04-06	YL1Z 18C604 AA	\$59.39
		07	7L1Z 18C604 B	\$62.36
	¶Order by Application			
	Remote, DVD	04-06	2L2Z 18C908 AA	\$24.23

2004 Ford New Pickup XLT Pickup F150

	07-08	7L1Z 18C908 C	\$56.96
44 Converter, Voltage Dealer Installed		V4L3Z 15052 AA	\$255.99
45 Holder, Tissue Dealer Installed		V4L3Z 78045C22 AB	\$91.81
46 Aid Kit, First Dealer Installed		1W7Z 19F515 AB	\$21.43
47 Holder, Telephone Dealer Installed		V4L3Z 19A384 AA	\$79.14
48 Holder, Sunglass Dealer Installed		V4L3Z 7811586 AA	\$79.14
49 Holder, CD Dealer Installed		V4L3Z 7813562 BA	\$92.39

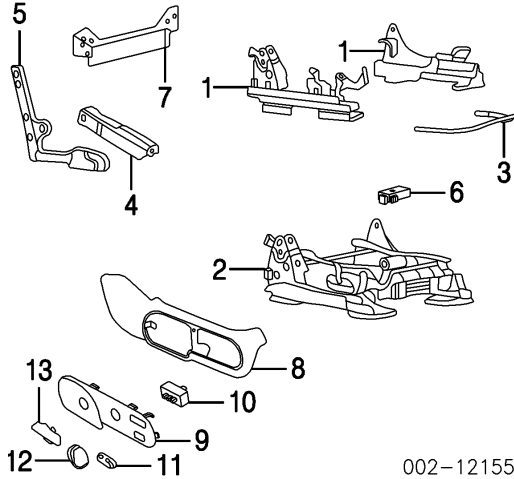


50 Carpet, Floor¶ w/Flow Thru Console	2004	4L3Z 1613000 BAA	\$459.93
	2005	5L3Z 1613000 DAA	\$479.93
	2006		
To 8-8-05		5L3Z 1613000 DAA	\$479.93
From 8-9-05		6L3Z 1613000 DA	\$423.65
2007-08		6L3Z 1613000 DA	\$423.65
w/o Flow Thru Console	2004	4L3Z 1613000 AAA	\$503.82
	2005	5L3Z 1613000 CAA	\$429.23
	2006		
To 8-8-05		5L3Z 1613000 CAA	\$429.23
From 8-9-05		6L3Z 1613000 CA	\$423.65
2007-08		6L3Z 1613000 CA	\$423.65
¶Order by Application			
51 Box, Storage Dealer Installed	.4	4L3Z 78115A00 AA	\$135.16

2004 Ford New Pickup XLT Pickup F150

FRONT SEAT

PASSENGER SIDE



R&I Seat Assy

.3

Track, Adjuster

1 Man Seat

Regular Cab, Extended Cab

R #.2

6L3Z 1861704 B

\$205.60

L #.2

6L3Z 1861705 B

\$233.37

Crew Cab

04 R #.2

4L3Z 1661704 BA

\$341.60

L #.2

4L3Z 1661705 BA

\$340.10

05-0 R #.2

6L3Z 1861704 B

\$205.60

L #.2

6L3Z 1861705 B

\$233.37

2 Pwr Seat

Regular Cab, Extended Cab

#.2

6L3Z 1661710 A

\$750.60

Crew Cab

#.2

6L3Z 1661710 A

\$750.60

#w/Seat Assy Removed

3 Handle, Adjuster

Man Seat

Regular Cab, Extended Cab

4L3Z 18603A86 AA

\$48.12

Crew Cab

04

4L3Z 16603A86 AA

\$44.20

05-07

5L3Z 18603A86 AA

4 Support, Side Seat

Regular Cab, Extended Cab

4L3Z 18617C20 AA

\$68.00

Crew Cab

4L3Z 16617C20 AA

\$35.90

5 Latch, Seat

Regular Cab, Extended Cab

6L3Z 1862648 AA

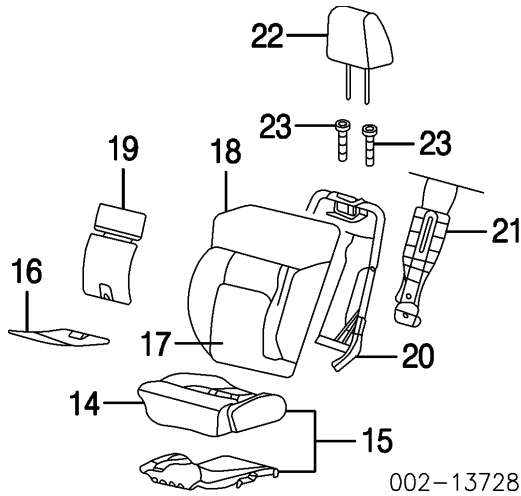
\$387.90

Crew Cab

2004 Ford New Pickup XLT Pickup F150

2004-05		5L3Z 1662648 AA	\$139.22
	2006		
To 8-8-05		5L3Z 1662648 AA	\$139.22
From 8-9-05		6L3Z 1662648 AA	\$117.78
2007-08		6L3Z 1662648 AA	\$117.78
6 Module, Seat Heater		1X4Z 14C724 AA	\$50.98
7 Bracket, Mounting			
Regular Cab	04	4L3Z 18620A36 AA	\$109.62
	05-08	5L3Z 18620A36 AA	\$103.42
Extended Cab, Crew Cab			
2004-05		5L3Z 18620A36 AB	\$99.08
	2006		
To 12-5-05		5L3Z 18620A36 AB	\$99.08
From 12-6-05		6L3Z 18620A36 A	\$79.48
2007-08		6L3Z 18620A36 A	\$79.48
8 Panel, Seat Trim¶			
Regular Cab, Extended Cab			
Black	.2	4L3Z 1862186 AAB	\$99.90
Flint	.2	4L3Z 1862186 AAC	\$83.18
Parchment	.2	4L3Z 1862186 AAA	\$79.70
Pebble	.2	4L3Z 1862186 AAD	\$99.90
Crew Cab			
Black	.2	4L3Z 1662186 AAB	\$46.90
Flint	.2	4L3Z 1662186 AAC	\$47.62
Parchment	.2	4L3Z 1662186 AAA	\$47.62
Pebble	.2	4L3Z 1662186 AAD	\$39.68
9 Insert, Trim Panel¶			
Man Seat			
Black		4L3Z 14A706 EA	\$63.37
Pebble		4L3Z 14A706 FB	\$63.22
Pwr Seat			
Black		4L3Z 14A706 GB	\$64.75
Pebble		4L3Z 14A706 GA	\$64.75
¶Order by Application			
10 Switch, Seat Adjustment	.2	1L2Z 14A701 AA	\$54.05
11 Knob, Switch		1L2Z 14711 AA	\$17.37
12 Knob, Lumbar		YL3Z 1561199 BA	\$32.55
13 Handle, Recliner		4L3Z 1561736 AA	\$50.68

2004 Ford New Pickup XLT Pickup F150



14 Cover, Seat Cushion

Regular Cab

Cloth

Standard

Flint

#.6 5L3Z 1862900 BAA \$249.00

Pebble

#.6 5L3Z 1862900 BAB \$249.00

Premium

Flint

#.6 5L3Z 1862900 DAB \$264.88

Pebble

#.6 5L3Z 1862900 CAC \$258.12

Sport

Black

#.6 4L3Z 1862900 FAC \$202.88

Flint

#.6 4L3Z 1862900 FAA \$202.88

Vinyl

Flint

#.6 5L3Z 1862900 AAA \$256.55

Pebble

#.6 5L3Z 1862900 AAB \$256.55

Extended Cab

Cloth

Standard

Flint

#.6 5L3Z 1862900 BAA \$249.00

Pebble

#.6 5L3Z 1862900 BAB \$249.00

Premium

Flint

#.6 5L3Z 1862900 CAB \$258.12

Pebble

#.6 5L3Z 1862900 CAC \$258.12

Sport

Black

#.6 5L3Z 1862900 DAA \$264.88

Flint

#.6 5L3Z 1862900 DAB \$264.88

Leather

Standard

Black

#.6 5L3Z 1862900 FAA \$331.83

Parchment

#.6 4L3Z 1862900 RAA \$331.83

Sport

2004 Ford New Pickup XLT Pickup F150

Black	#.6	5L3Z 1862900 EAA	\$349.58
Flint	#.6	5L3Z 1862900 EAB	\$349.58
Vinyl			
Flint	#.6	5L3Z 1862900 AAA	\$256.55
Pebble	#.6	5L3Z 1862900 AAB	\$256.55
Crew Cab			
Cloth			
Premium			
Flint	#.6	5L3Z 1862900 CAB	\$258.12
Pebble	#.6	5L3Z 1862900 CAC	\$258.12
Sport			
Black	#.6	5L3Z 1862900 DAA	\$264.88
Flint	#.6	5L3Z 1862900 DAB	\$264.88
Leather			
Standard			
Black	#.6	5L3Z 1862900 FAA	\$331.83
Parchment	#.6	4L3Z 1862900 RAA	\$331.83
Sport			
Black	#.6	5L3Z 1862900 EAA	\$349.58
Flint	#.6	5L3Z 1862900 EAB	\$349.58
15 Cushion, Seat-See Air Bag System Section¶			
16 Element, Seat Heater¶	#.6	4L3Z 14D696 AB	\$78.98
#R&R Complete, w/Seat Assy Removed			
17 Cover, Seat Back¶			
Regular Cab			
Cloth			
Standard			
Flint	#.7	4L3Z 1564416 FAA	\$210.25
Pebble	#.7	4L3Z 1564416 FAB	\$210.25
Premium			
Flint	#.7	4L3Z 1564416 GAB	\$216.67
Pebble	#.7	4L3Z 1564416 GAC	\$216.67
Sport			
Black	#.7	4L3Z 1564416 HAA	\$182.47
Flint	#.7	4L3Z 1564416 HAB	\$182.47
Vinyl			
Flint	#.7	4L3Z 1564416 EAA	\$217.75
Pebble	#.7	4L3Z 1564416 JAB	\$230.67
Extended Cab			
Cloth			
Standard			
Flint	#.7	5L3Z 1864416 HAA	\$227.08
Pebble	#.7	5L3Z 1864416 HAB	\$227.08

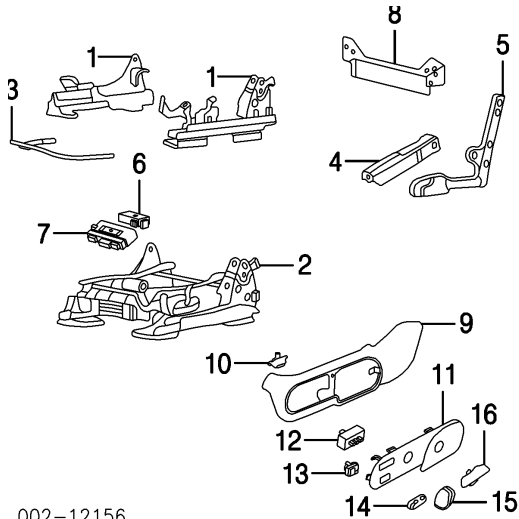
2004 Ford New Pickup XLT Pickup F150

Premium			
Flint	#.7	5L3Z 1864416 FAB	\$237.17
Pebble	#.7	5L3Z 1864416 FAC	\$237.22
Sport			
Black	#.7	5L3Z 1864416 GAA	\$261.42
Flint	#.7	5L3Z 1864416 GAB	\$261.42
Leather			
Standard			
Black	#.7	4L3Z 1864416 FAB	\$387.33
Parchment	#.7	4L3Z 1864416 FAA	\$387.33
Sport			
Black	#.7	4L3Z 1864416 EAA	\$397.27
Flint	#.7	4L3Z 1864416 EAB	\$397.27
Vinyl			
Flint	#.7	5L3Z 1864416 BAA	\$247.00
Pebble	#.7	5L3Z 1864416 BAB	\$247.00
Crew Cab			
Cloth			
Premium			
Flint	#.7	5L3Z 1664416 DAA	\$236.50
Pebble	#.7	5L3Z 1664416 DAC	\$236.50
Sport			
Black	#.7	5L3Z 1664416 EAA	\$260.25
Flint	#.7	5L3Z 1664416 EAB	\$260.25
Leather			
Standard			
Black	#.7	4L3Z 1664416 DAB	\$386.13
Pebble	#.7	4L3Z 1664416 DAA	\$386.13
Sport			
Black	#.7	4L3Z 1664416 CAA	\$407.87
Flint	#.7	4L3Z 1664416 CAB	\$407.87
18 Cushion, Seat Back¶	#.7	5L3Z 1664810 A	\$147.72
¶Order by Application			
19 Element, Seat Back	#.7	4L3Z 14D696 AA	\$64.05
20 Frame, Seat Back¶			
w/Lumbar Support	#.7	5L3Z 1861018 AA	\$295.82
w/o Lumbar Support	#.7	5L3Z 1861018 BA	\$310.47
¶Order by Application			
#R&R Complete, Includes R&R Headrest, w/Seat Assy Removed			
21 Support, Lumbar			
2004-05		4L3Z 1865500 AA	\$109.98
	2006		
To 12-5-05		4L3Z 1865500 AA	\$109.98

2004 Ford New Pickup XLT Pickup F150

From 12-5-05	7L3Z 1865500 B	\$105.37
2007-08	7L3Z 1865500 B	\$105.37
22 Headrest		
Cloth		
Black	.2 4L3Z 18611A08 BBA	\$126.00
Medium Flint	.2 4L3Z 18611A08 BBB	\$126.12
Pebble	.2 4L3Z 18611A08 BBD	\$126.00
Leather		
Black	.2 4L3Z 18611A08 ABC	\$131.05
Flint	.2 4L3Z 18611A08 CBC	\$130.95
Parchment	.2 4L3Z 18611A08 ABD	\$130.88
Vinyl		
Flint	.2 4L3Z 18611A08 ABA	\$131.05
Pebble	.2 4L3Z 18611A08 ABB	\$131.17
Order by Application		
23 Guide, Headrest		
Locking	4L3Z 18610A16 AA	\$16.75
Non-Locking	4L3Z 18610A16 BA	\$16.75

DRIVER SIDE



002-12156

R&I Seat Assy

Track, Adjuster

1 Man Seat

Regular Cab, Extended Cab

R #.2

6L3Z 1861704 A

\$220.53

L #.2

6L3Z 1861705 A

\$260.93

Crew Cab

04 R #.2

4L3Z 1661704 AA

\$408.12

L #.2

4L3Z 1661705 AA

\$409.47

05-0 R #.2

6L3Z 1661704 A

\$365.33

L #.2

6L3Z 1661705 A

\$365.33

2 Pwr Seat

.3

2004 Ford New Pickup XLT Pickup F150

Regular Cab, Extended Cab			
w/Memory	#.2	6L3Z 1861711 B	\$813.22
w/o Memory	#.2	6L3Z 1861711 A	\$718.78
Crew Cab			
w/Memory	#.2	6L3Z 1661711 B	\$816.60
w/o Memory	#.2	6L3Z 1661711 A	\$654.58
#w/Seat Assy Removed			
3 Handle, Adjuster			
Man Seat			
Regular Cab, Extended Cab		4L3Z 18603A86 AA	\$48.12
Crew Cab	04	4L3Z 16603A86 AA	\$44.20
	05-08	5L3Z 18603A86 BA	
4 Support, Side Seat			
Regular Cab, Extended Cab		4L3Z 18617C21 AA	\$68.00
Crew Cab		4L3Z 16617C21 AA	\$35.90
5 Latch, Seat			
Regular Cab, Extended Cab		6L3Z 1862649 AA	\$325.98
Crew Cab			
2004-05		5L3Z 1662649 AA	\$171.97
	2006		
To 8-8-05		5L3Z 1662649 AA	\$171.97
From 8-9-05		6L3Z 1662649 AA	\$124.48
2007-08		6L3Z 1662649 AA	\$124.48
6 Module, Seat Heater			
		1X4Z 14C724 AA	\$50.98
7 Module, Memory			
		2C7Z 14C708 BA	\$254.52
8 Bracket, Mounting			
2004-05		5L3Z 18620A36 BA	\$96.10
	2006		
To 12-5-05		5L3Z 18620A36 BA	\$96.10
From 12-6-05		6L3Z 18620A36 B	\$55.00
2007-08		6L3Z 18620A36 B	\$55.00
9 Panel, Seat Trim			
Regular Cab, Extended Cab			
Black	.2	4L3Z 1862187 AAB	\$79.87
Flint	.2	4L3Z 1862187 AAC	\$83.25
Parchment	.2	4L3Z 1862187 AAA	\$83.25
Pebble	.2	4L3Z 1862187 AAD	\$83.18
Crew Cab			
Black	.2	4L3Z 1662187 AAB	\$41.17
Flint	.2	4L3Z 1662187 AAC	\$45.73
Parchment	.2	4L3Z 1662187 AAA	\$46.53

2004 Ford New Pickup XLT Pickup F150

Pebble
 ¶Order by Application

.2 4L3Z 1662187 AAD \$41.17

10 Sensor, Seat Position-See Air Bag System Section

11 Insert, Trim Panel¶

Man Seat

Black

w/Lumbar Support

4L3Z 14A706 BA \$63.22

w/o Lumbar Support

4L3Z 14A706 AA \$65.25

Pwr Seat

w/Memory

Black

4L3Z 14A706 DB \$64.75

Pebble

4L3Z 14A706 DA \$64.63

w/o Memory

Black

4L3Z 14A706 CA \$72.02

Pebble

4L3Z 14A706 CB \$62.43

¶Order by Application

12 Switch, Seat Adjustment

.2 1L2Z 14A701 AA \$54.05

13 Switch, Memory

.2 7L3Z 14776 AA \$42.53

14 Knob, Switch

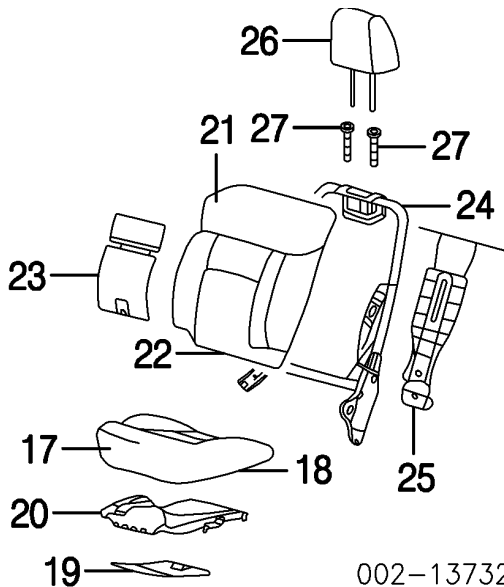
1L2Z 14711 AA \$17.37

15 Knob, Lumbar

YL3Z 1561199 BA \$32.55

16 Handle, Recliner

4L3Z 1561737 AA \$50.68



17 Cover, Seat Cushion¶

Regular Cab

Cloth

Standard

Flint

#.6

5L3Z 1862901 BAA \$249.00

2004 Ford New Pickup XLT Pickup F150

Pebble	#.6	5L3Z 1862901 BAB	\$249.00
Premium			
Flint	#.6	5L3Z 1862901 CAB	\$258.12
Pebble	#.6	5L3Z 1862901 CAC	\$258.12
Sport			
Black	#.6	5L3Z 1862901 DAA	\$264.88
Flint	#.6	5L3Z 1862901 DAB	\$264.88
Vinyl			
Flint	#.6	5L3Z 1862901 AAA	\$256.55
Pebble	#.6	5L3Z 1862901 AAB	\$256.55
Extended Cab			
Cloth			
Standard			
Flint	#.6	5L3Z 1862901 BAA	\$249.00
Pebble	#.6	5L3Z 1862901 BAB	\$249.00
Premium			
Flint	#.6	5L3Z 1862901 CAA	\$258.12
Pebble	#.6	5L3Z 1862901 CAC	\$258.12
Sport			
Black	#.6	5L3Z 1862901 DAA	\$264.88
Flint	#.6	5L3Z 1862901 DAB	\$264.88
Leather			
Standard			
Black	#.6	5L3Z 1862901 FAB	\$331.83
Pebble	#.6	4L3Z 1862901 FAA	\$331.83
Sport			
Black	#.6	5L3Z 1862901 EAA	\$349.58
Flint	#.6	5L3Z 1862901 EAB	\$349.58
Vinyl			
Flint	#.6	5L3Z 1862901 AAA	\$256.55
Pebble	#.6	5L3Z 1862901 AAB	\$256.55
Crew Cab			
Cloth			
Premium			
Flint	#.6	5L3Z 1862901 CAB	\$258.12
Pebble	#.6	5L3Z 1862901 CAC	\$258.12
Sport			
Black	#.6	5L3Z 1862901 DAA	\$264.88
Flint	#.6	5L3Z 1862901 DAB	\$264.88
Leather			
Standard			
Black	#.6	5L3Z 1862901 FAB	\$331.83
Pebble	#.6	4L3Z 1862901 FAA	\$331.83
Sport			
Black	#.6	5L3Z 1862901 EAA	\$349.58
Flint	#.6	5L3Z 1862901 EAB	\$349.58

2004 Ford New Pickup XLT Pickup F150

18 Cushion, Seat¶	#.6	5L3Z 18632A23 AA	\$87.42
¶Order by Application			
19 Element, Seat Heater	#.6	4L3Z 14D696 AA	\$64.05
20 Frame, Seat Cushion¶	#.6	4L3Z 1863101 AB	\$279.23

#R&R Complete, w/Seat Assy Removed

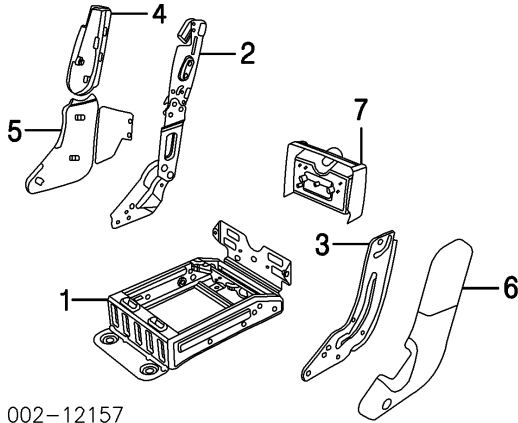
21 Cover, Seat Back¶			
Regular Cab			
Cloth			
Standard			
Flint	#.7	4L3Z 1564417 BAA	\$210.42
Pebble	#.7	4L3Z 1564417 BAB	\$210.42
Premium			
Flint	#.7	4L3Z 1564417 CAB	\$217.67
Pebble	#.7	4L3Z 1564417 CAC	\$217.67
Sport			
Black	#.7	4L3Z 1564417 DAA	\$228.92
Flint	#.7	4L3Z 1564417 DAB	\$228.92
Vinyl			
Flint	#.7	4L3Z 1564417 AAA	\$218.58
Pebble	#.7	4L3Z 1564417 AAB	\$218.58
Extended Cab			
Cloth			
Standard			
Flint	#.7	5L3Z 1864417 GAA	\$227.08
Pebble	#.7	5L3Z 1864417 GAB	\$227.08
Premium			
Flint	#.7	5L3Z 1864417 EAB	\$237.17
Pebble	#.7	5L3Z 1864417 EAC	\$237.17
Leather			
Standard			
Black	#.7	4L3Z 1864417 FAB	\$387.33
Parchment	#.7	4L3Z 1864417 FAA	\$387.33
Sport			
Black	#.7	4L3Z 1864417 EAA	\$397.27
Flint	#.7	4L3Z 1864417 EAB	\$331.05
Vinyl			
Flint	#.7	5L3Z 1864417 BAA	\$247.00
Pebble	#.7	5L3Z 1864417 BAB	\$247.00
Crew Cab			
Cloth			
Premium			
Flint	#.7	5L3Z 1864417 BAB	\$247.00
Pebble	#.7	4L3Z 1864417 AAC	
Sport			

2004 Ford New Pickup XLT Pickup F150

Black	#.7	5L3Z 1864417 GAA	\$227.08
Flint	#.7	5L3Z 1864417 GAB	\$227.08
Leather			
Standard			
Black	#.7	5L3Z 1864417 FAB	\$261.42
Parchment	#.7	5L3Z 1864417 FAA	\$261.42
Sport			
Flint	#.7	5L3Z 1864417 EAB	\$237.17
Parchment	#.7	5L3Z 1864417 EAA	\$237.17
22 Cushion, Seat Back¶	#.7	5L3Z 1664811 A	\$177.27
¶Order by Application			
23 Element, Seat Back	#.7	4L3Z 14D696 AA	\$64.05
24 Frame, Seat Back¶			
w/Lumbar Support	#.7	5L3Z 1861019 AA	\$302.00
w/o Lumbar Support	#.7	5L3Z 1861019 BA	\$258.72
¶Order by Application			
#R&R Complete, Includes R&R Headrest, w/Seat Assy Removed			
25 Support, Lumbar			
2004-05		4L3Z 1865501 AA	\$131.98
	2006		
To 12-5-05		4L3Z 1865501 AA	\$131.98
From 12-6-05		7L3Z 1865501 B	\$104.88
2007-08		7L3Z 1865501 B	\$104.88
26 Headrest¶			
Cloth			
Black	.2	4L3Z 18611A08 BBA	\$126.00
Flint	.2	4L3Z 18611A08 BBC	\$126.28
Pebble	.2	4L3Z 18611A08 BBD	\$126.00
Leather			
Black	.2	4L3Z 18611A08 ABC	\$131.05
Flint	.2	4L3Z 18611A08 CBC	\$130.95
Parchment	.2	4L3Z 18611A08 ABD	\$130.88
Vinyl			
Flint	.2	4L3Z 18611A08 ABA	\$131.05
Pebble	.2	4L3Z 18611A08 ABB	\$131.17
¶Order by Application			
27 Guide, Headrest			
Locking		4L3Z 18610A16 AA	\$16.75
Non-Locking		4L3Z 18610A16 BA	\$16.75

CENTER

2004 Ford New Pickup XLT Pickup F150

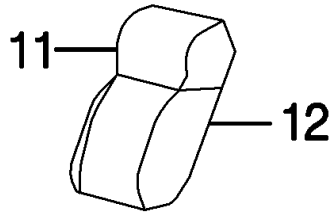


002-12157

R&I Seat Assy

					.3
1 Base, Seat					
	2004	#.3	4L3Z 1861708 AA	\$177.42	
	2005-08				
Regular Cab		#.3	5L3Z 1561708 AA	\$177.65	
Extended Cab, Crew Cab		#.3	5L3Z 1861708 AA	\$228.82	
#w/Seat Assy Removed					
2 Latch, Seat		R	4L3Z 18645A04 AA	\$168.72	
3		L	4L3Z 1863076 AA	\$50.68	
Panel, Right Seat Trim					
4 Upper					
Black		R	.2 4L3Z 18672A28 AAA	\$59.55	
Flint		R	.2 4L3Z 18672A28 AAB	\$59.55	
Pebble		R	.2 4L3Z 18672A28 AAC	\$47.68	
5 Lower					
Black		R	.2 4L3Z 18672A32 AAA	\$72.20	
Flint		R	.2 4L3Z 18672A32 AAB	\$67.12	
Pebble		R	.2 4L3Z 18672A32 AAC	\$86.63	
6 Panel, Left Seat Trim					
Black		L	.2 4L3Z 18672A29 AAA	\$70.62	
Flint		L	.2 4L3Z 18672A29 AAB	\$70.07	
Pebble		L	.2 4L3Z 18672A29 AAC	\$70.35	
7 Holder, Cup					
Black			4L3Z 1813562 AAA	\$114.62	
Flint			4L3Z 1813562 AAB	\$115.00	
Pebble			4L3Z 1813562 AAC	\$114.62	

2004 Ford New Pickup XLT Pickup F150



8 Cover, Seat Cushion¶

Cloth

Standard, Premium

Flint

#.6

4L3Z 1862900 FAD \$202.88

Pebble

#.6

4L3Z 1862900 FAB \$202.88

Sport

Black

#.6

4L3Z 1862900 FAC \$202.88

Flint

#.6

4L3Z 1862900 FAA \$202.88

Leather

Black

#.6

4L3Z 1862900 JAB \$213.88

Pebble

#.6

4L3Z 1862900 JAA \$213.88

Vinyl

Flint

#.6

4L3Z 1862900 EAA \$205.00

Pebble

#.6

4L3Z 1862900 EAB \$205.00

¶Order by Application

9 Cushion, Seat

#.6

4L3Z 18632A22 AA \$83.08

10 Frame, Seat Cushion

#.6

4L3Z 1560336 AA \$154.18

#R&R Complete, w/Seat Assy Removed

11 Cover, Seat Back¶

Cloth

Standard

Flint

#.6

4L3Z 18644A22 BAA\$277.13

Pebble

#.6

4L3Z 18644A22 BAB\$277.13

Premium

Flint

#.6

5L3Z 18644A22 BAC\$337.37

Pebble

#.6

5L3Z 18644A22 BAD\$336.80

Sport

Black

#.6

4L3Z 18644A22 BAC\$277.13

Flint

#.6

4L3Z 18644A22 BAD\$277.13

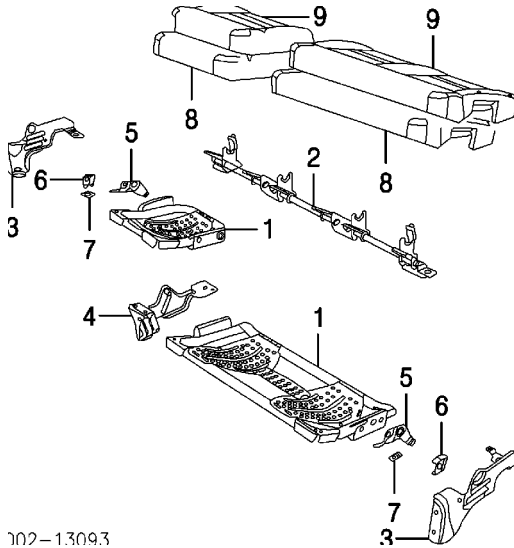
Leather

2004 Ford New Pickup XLT Pickup F150

Black	#.6	4L3Z 18644A22 DAB	\$277.13
Pebble	#.6	4L3Z 18644A22 DAA	\$277.13
Vinyl			
Flint	#.6	4L3Z 18644A22 AAA	\$256.60
Pebble	#.6	4L3Z 18644A22 AAB	\$277.13
¶Order by Application			
12 Cushion, Seat Back	#.6	5L3Z 1565478 AA	\$149.38
#R&R Complete, w/Seat Assy Removed			

2004 Ford New Pickup XLT Pickup F150

REAR SEAT



102-13093

R&I Rear Seat Assy Complete

1.5

R&I Seat Back Assy

.5

R&I Seat Cushion Assy

R #1.0

L #1.0

#R&I Both Sides Complete 1.5, Includes R&I Seat Back Assy

1 Frame, Seat Cushion

Extended Cab

R #.2 4L3Z 1863160 AA \$201.43

L #.2 5L3Z 1863161 AA \$267.18

Crew Cab

R #.2 4L3Z 1863160 AA \$201.43

L #.2 5L3Z 1863161 AA \$267.18

#w/Seat Assy Removed

2 Bracket, Mounting

04 4L3Z 1863160 BA \$147.20

05-08 5L3Z 1863160 AA \$179.62

3 Support, Side Seat

R 4L3Z 1860692 BA \$126.97

L 4L3Z 1860693 AA \$108.47

4 Support, Center Seat

4L3Z 1860692 AB \$147.88

5 Latch, Seat

R 6L3Z 1861382 A \$83.42

L 6L3Z 1861383 A \$87.63

6 Cover, Latch

R YL3Z 1861350 AAA \$18.00

L YL3Z 1861351 AAA \$18.00

7 Handle, Latch

R 4L3Z 1561736 AAA \$46.90

L 4L3Z 1561737 AAA \$46.90

8 Pad, Seat Cushion

Extended Cab

R #.6 4L3Z 1863840 AA \$131.92

L #.6 4L3Z 1863841 AA \$183.50

2004 Ford New Pickup XLT Pickup F150

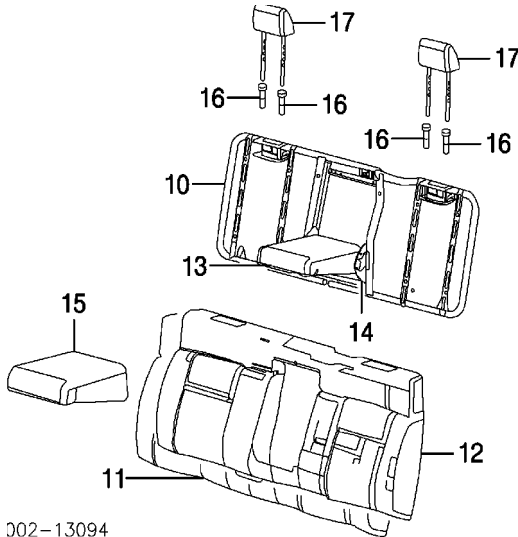
Crew Cab	R	#.6	4L3Z 1663840 AA	\$117.92	
	L	#.6	4L3Z 1663841 AA	\$194.65	
9 Cover, Seat Cushion					
Extended Cab					
Cloth					
Standard					
Black	R	#.6	4L3Z 1863804 DAA	\$221.88	
	L	#.6	4L3Z 1863805 DAA	\$226.50	
Flint	R	#.6	4L3Z 1863804 DAB	\$221.88	
	L	#.6	4L3Z 1863805 DAB	\$226.50	
Premium					
Flint	R	#.6	4L3Z 1863804 AAA	\$195.33	
	L	#.6	4L3Z 1863805 AAA	\$255.88	
Pebble	R	#.6	4L3Z 1863804 CAC	\$209.00	
	L	#.6	4L3Z 1863805 CAC	\$212.33	
Leather					
Standard					
Black	R	#.6	4L3Z 1863804 EAB	\$217.55	
	L	#.6	4L3Z 1863805 EAB	\$219.83	
Parchment	R	#.6	4L3Z 1863804 FAA	\$226.58	
	L	#.6	4L3Z 1863805 FAA	\$283.58	
Sport					
Black	R	#.6	4L3Z 1863804 EAB	\$217.55	
	L	#.6	4L3Z 1863805 EAB	\$219.83	
Flint	R	#.6	4L3Z 1863804 EAC	\$217.55	
	L	#.6	4L3Z 1863805 EAC	\$219.83	
Vinyl					
Flint	R	#.6	4L3Z 1863804 BAA	\$197.12	
	L	#.6	4L3Z 1863805 BAA	\$255.12	
Pebble	R	#.6	4L3Z 1863804 BAB	\$197.12	
	L	#.6	4L3Z 1863805 BAB	\$255.12	
Crew Cab					
FX2 Model	07-0	R	#.6	7L3Z 1663804 YA	\$234.55
		L	#.6	7L3Z 1663805 YA	\$226.00
XLT, FX4 Model					
Cloth					
Standard					
Black	R	#.6	4L3Z 1663804 BAA	\$223.67	
	L	#.6	4L3Z 1663805 CAA	\$224.25	
Flint	R	#.6	4L3Z 1663804 BAB	\$223.78	
	L	#.6	4L3Z 1663805 CAB	\$179.40	
Premium					
Flint	R	#.6	4L3Z 1663804 DAB	\$223.67	
	L	#.6	4L3Z 1663805 BAB	\$225.33	
Pebble	R	#.6	4L3Z 1663804 DAC	\$223.67	
	L	#.6	4L3Z 1663805 BAC	\$225.33	

2004 Ford New Pickup XLT Pickup F150

Leather					
Black	R	#.6	4L3Z 1663804 CAA	\$212.50	
	L	#.6	4L3Z 1663805 DAA	\$270.67	
Flint	R	#.6	4L3Z 1663804 CAB	\$212.50	
	L	#.6	4L3Z 1663805 DAB	\$270.67	
Lariat Model					
Black	R	#.6	4L3Z 1663804 AAB	\$226.58	
	L	#.6	4L3Z 1663805 AAB	\$283.58	
Pebble	R	#.6	4L3Z 1663804 AAA	\$226.58	
	L	#.6	4L3Z 1663805 AAA	\$283.58	
King Ranch Model					
	05-0 R	#.6	5L3Z 1663804 AAA	\$341.58	
	L	#.6	5L3Z 1663805 AAA	\$425.87	
Harley-Davidson Model					
	06-0 R	#.6	7L3Z 1663804 EA	\$222.45	
	L	#.6	7L3Z 1663805 EA	\$226.08	
	08 R	#.6	8L3Z 1663804 BA	\$244.83	
	L	#.6	8L3Z 1663805 BA	\$303.25	
Limited Model					
	08 R	#.6	8L3Z 1663804 AA	\$231.17	
	L	#.6	8L3Z 1663805 AA	\$294.58	

Order by Application

#R&R One Side Complete, w/Seat Cushion Removed



002-13094

10 Frame, Seat Back				
Extended Cab	#1.0	4L3Z 18613A38 AA	\$261.90	
Crew Cab				
w/Armrest	#1.0	4L3Z 16613A38 AA	\$370.75	
w/o Armrest	#1.0	4L3Z 18613A38 AA	\$261.90	
11 Pad, Seat Back				
Extended Cab	#1.0	6L3Z 1866800 A	\$372.08	

2004 Ford New Pickup XLT Pickup F150

Crew Cab				
w/Armrest	#1.0	6L3Z 1666800 A	\$285.48	
w/o Armrest	#1.0	6L3Z 1866800 A	\$372.08	
12 Cover, Seat Back¶				
Extended Cab				
Cloth				
Standard				
Flint	#1.0	4L3Z 1866600 BAA	\$267.25	
Pebble	#1.0	4L3Z 1866600 BAB	\$267.25	
Premium				
Flint	#1.0	5L3Z 1866600 CAB	\$291.75	
Pebble	#1.0	5L3Z 1866600 CAC	\$291.75	
Sport				
Black	#1.0	4L3Z 1866600 DAA	\$306.17	
Flint	#1.0	N.A.		
Leather				
Black	#1.0	4L3Z 1866600 FAB	\$360.33	
Parchment	#1.0	4L3Z 1866600 FAA	\$360.33	
Pebble	#1.0	5L3Z 1866600 BAB	\$270.83	
Vinyl				
Flint	#1.0	4L3Z 1866600 AAA	\$266.00	
Pebble	#1.0	4L3Z 1866600 AAB	\$266.00	
Crew Cab				
FX2 Model	07-0 #1.0	7L3Z 1866600 YA	\$240.87	
XLT, FX4 Model				
Cloth				
Standard				
Black	#1.0	4L3Z 1866600 DAA	\$306.17	
Flint	#1.0	4L3Z 1866600 DAB	\$306.17	
Premium				
Flint	#1.0	4L3Z 1866600 CAB	\$285.25	
Pebble	#1.0	4L3Z 1866600 CAC	\$285.25	
Leather				
Black	#1.0	4L3Z 1866600 EAB	\$294.08	
Flint	#1.0	4L3Z 1866600 EAC	\$294.08	
Lariat Model				
Black	#1.0	4L3Z 1666600 AAB	\$360.33	
Parchment	#1.0	4L3Z 1666600 AAA	\$360.33	
Pebble	#1.0	5L3Z 1666600 CAB	\$345.42	
King Ranch Model	05-0 #1.0	5L3Z 1666600 AAA	\$641.23	
Harley-Davidson Model	06-0 #1.0	7L3Z 1666600 DA	\$382.13	
	08 #1.0	8L3Z 1666600 AA	\$539.40	
Limited Model	08 #1.0	8L3Z 1666600 AA	\$539.40	

¶Order by Application

2004 Ford New Pickup XLT Pickup F150

#R&R Complete, Includes R&R Headrests, w/Seat Back Removed

13	Frame/Pad, Armrest	#.5	4L3Z 1665478 AA	\$137.77
14	Bracket, Armrest			
	Black	#.5	4L3Z 1867336 AAB	\$32.12
	Pebble	04 #.5	4L3Z 1867336 AAA	\$37.73
		05-0 #.5	5L3Z 1867336 AAA	\$47.37
15	Cover, Armrest¶¶			
	Lariat Model			
	Black	#.5	4L3Z 1667244 AAB	\$176.67
	Pebble	#.5	5L3Z 1667244 AAB	\$176.67
	Parchment	#.5	4L3Z 1667244 AAA	\$176.67
	King Ranch Model	05-0 #.5	5L3Z 1667244 AAA	\$284.50
	Harley-Davidson Model	06-0 #.5	7L3Z 1667244 CA	\$176.67
	Limited Model	08 #.5	7L3Z 1667344 BC	\$178.67
	¶¶Order by Application			
	#R&R Complete			
16	Guide, Headrest (2)			
	Locking		4L3Z 18610A16 AA	\$16.75
	Non-Locking		4L3Z 18610A16 BA	\$16.75
17	Headrest¶¶			
	Extended Cab			
	Cloth			
	Black	R	.2 4L3Z 18611A08 BAA	\$134.25
		L	.2 4L3Z 18611A08 BAA	\$134.25
	Flint	R	.2 4L3Z 18611A08 BAC	\$134.77
		L	.2 4L3Z 18611A08 BAC	\$134.77
	Pebble	R	.2 4L3Z 18611A08 BAD	\$148.33
		L	.2 4L3Z 18611A08 BAD	\$148.33
	Leather			
	Black	R	.2 4L3Z 18611A08 CAB	\$137.72
		L	.2 4L3Z 18611A08 CAB	\$137.72
	Flint	R	.2 4L3Z 18611A08 CAC	\$152.17
		L	.2 4L3Z 18611A08 CAC	\$152.17
	Crew Cab			
	Lariat Model			
	Black	R	.2 4L3Z 18611A08 AAC	\$149.33
		L	.2 4L3Z 18611A08 AAC	\$149.33
	Pebble	R	.2 4L3Z 18611A08 AAB	\$149.00
		L	.2 4L3Z 18611A08 AAB	\$149.00
	King Ranch Model	05-0 R	.2 5L3Z 16611A08 AAA	\$221.47
		L	.2 5L3Z 16611A08 AAA	\$221.47
	Harley-Davidson Model	06-0 R	.2 6L3Z 18611A08 AB	\$207.60
		L	.2 6L3Z 18611A08 AB	\$207.60

2004 Ford New Pickup XLT Pickup F150

	08 R	.2	8L3Z 18611A08 HA	\$111.50
	L	.2	8L3Z 18611A08 HA	\$111.50
Limited Model	08 R	.2	8L3Z 16611A08 DA	\$145.58
	L	.2	8L3Z 16611A08 DA	\$145.58

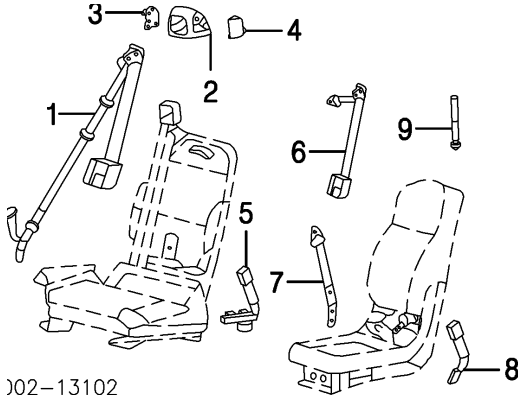
¶Order by Application

2004 Ford New Pickup XLT Pickup F150

SEAT BELTS

FRONT

REGULAR CAB, EXTENDED CAB



002-13102

Add to R&R Seat Belt
w/SIR

.2

1 Belt, Side Seat

Black

04-0 R #.5 7L3Z 18611B08 DC \$405.57

L #.5 4L3Z 18611B09 AAC \$158.45

06 R #.5 8L3Z 18611B08 AC \$271.92

L #.5 7L3Z 18611B09 AC \$137.32

07-0 R #.5 8L3Z 18611B08 AC \$271.92

L #.5 7L3Z 18611B09 AC \$137.32

Flint

04-0 R #.5 7L3Z 18611B08 DA \$351.20

L #.5 4L3Z 18611B09 AAA \$158.45

06 R #.5 8L3Z 18611B08 AA \$271.92

L #.5 7L3Z 18611B09 AA \$137.32

07-0 R #.5 8L3Z 18611B08 AA \$271.92

L #.5 7L3Z 18611B09 AA \$137.32

Pebble

04-0 R #.5 7L3Z 18611B08 DB \$351.20

L #.5 4L3Z 18611B09 AAB \$190.13

06 R #.5 8L3Z 18611B08 AB \$217.90

L #.5 7L3Z 18611B09 AB \$137.32

07-0 R #.5 8L3Z 18611B08 AB \$217.90

L #.5 7L3Z 18611B09 AB \$137.32

#w/Seat Assy & Necessary Trim Removed

Pretensioner, Seat Belt-Serviced w/Side Seat Belt

2 Cover, Side Seat Belt

2004-05

Black

R

4L3Z 18610E06 AAA \$72.07

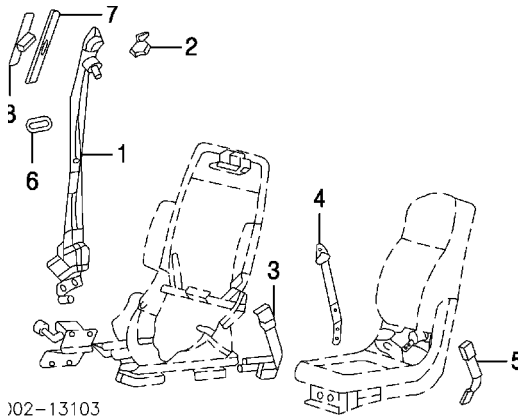
2004 Ford New Pickup XLT Pickup F150

	L		4L3Z 18610E06 BAA	\$60.05
Flint	R		4L3Z 18610E06 AAB	\$70.17
	L		4L3Z 18610E06 BAB	\$70.17
Pebble	R		4L3Z 18610E06 AAC	\$60.05
	L		4L3Z 18610E06 BAC	\$70.17
		2006		
To 12-5-05				
Black	R		4L3Z 18610E06 AAA	\$72.07
	L		4L3Z 18610E06 BAA	\$60.05
Flint	R		4L3Z 18610E06 AAB	\$70.17
	L		4L3Z 18610E06 BAB	\$70.17
Pebble	R		4L3Z 18610E06 AAC	\$60.05
	L		4L3Z 18610E06 BAC	\$70.17
From 12-6-05				
Black	R		6L3Z 18610E06 AA	\$69.53
	L		6L3Z 18610E06 BA	\$69.53
Flint	R		6L3Z 18610E06 AB	\$83.43
	L		6L3Z 18610E06 BB	\$83.43
Pebble	R		6L3Z 18610E06 AC	\$69.53
	L		6L3Z 18610E06 BC	\$69.53
2007-08				
Black	R		6L3Z 18610E06 AA	\$69.53
	L		6L3Z 18610E06 BA	\$69.53
Flint	R		6L3Z 18610E06 AB	\$83.43
	L		6L3Z 18610E06 BB	\$83.43
Pebble	R		6L3Z 18610E06 AC	\$69.53
	L		6L3Z 18610E06 BC	\$69.53
3 Plate, Outer Cover				
Black	R		4L3Z 18610E03 AAA	\$32.98
	L		4L3Z 18610E03 BAA	\$32.98
Flint	R		4L3Z 18610E03 AAB	\$32.98
	L		4L3Z 18610E03 BAB	\$32.98
Pebble	R		4L3Z 18610E03 AAC	\$32.98
	L		4L3Z 18610E03 BAC	\$32.98
4 Plate, Inner Cover				
Black	R		4L3Z 18610E02 AAA	\$31.97
	L		4L3Z 18610E02 BAA	\$31.97
Flint	R		4L3Z 18610E02 AAB	\$31.97
	L		4L3Z 18610E02 BAB	\$31.97
Pebble	R		4L3Z 18610E02 AAC	\$26.63
	L		4L3Z 18610E02 BAC	\$31.97
5 Buckle, Seat Belt	R	#.2	6L3Z 1861202 AB	\$120.28
	L	#.2	6L3Z 1861203 AB	\$121.50
6 Belt, Center Shoulder				
Regular Cab				
Black		#.4	6L3Z 15611B64 AC	\$147.35

2004 Ford New Pickup XLT Pickup F150

Flint				
2004-05		#.4	5L3Z 15611B64 AAA	\$157.92
	2006			
To 8-8-05		#.4	5L3Z 15611B64 AAA	\$157.92
From 8-9-05		#.4	6L3Z 15611B64 AA	\$147.35
2007-08		#.4	6L3Z 15611B64 AA	\$147.35
Pebble		#.4	6L3Z 15611B64 AB	\$168.30
7 Belt, Center Lap				
Black		04 #.4	4L3Z 15611B76 AAC	\$84.73
		05-0 #.4	6L3Z 15611B70 AC	\$44.42
Flint		04 #.4	4L3Z 15611B76 AAA	\$64.32
		05-0 #.4	6L3Z 15611B70 AA	\$44.42
Pebble		04 #.4	4L3Z 15611B76 AAB	\$70.73
		05-0 #.4	6L3Z 15611B70 AB	\$44.42
8 Buckle, Center Seat Belt				
Black		04 #.2	4L3Z 15611B70 AAC	\$43.12
		05-0 #.2	6L3Z 15611B70 BAC	\$37.27
Flint		04 #.2	4L3Z 15611B70 AAA	\$45.08
		05-0 #.2	6L3Z 15611B70 BAA	\$48.30
Pebble		04 #.2	4L3Z 15611B70 AAB	\$35.93
		05-0 #.2	6L3Z 15611B70 BAB	\$48.30
#w/Seat Assy Removed				
9 Anchor Kit, Child Seat				
Regular Cab		04-05	5L3Z 18613D74 AAA	\$10.40
		06-08	6L3Z 18613D74 AA	\$10.25

FRONT
CREW CAB



X02-13103

Add to R&R Seat Belt
w/SIR

.2

1 Belt, Side Seat				
Black		04-0 R #.5	8L3Z 16611B08 AC	\$236.23
		L #.5	6L3Z 16611B09 AC	\$136.53
		08 R #.5	8L3Z 16611B08 AC	\$236.23

2004 Ford New Pickup XLT Pickup F150

	L	#.5	6L3Z 16611B09 AC	\$136.53
Flint	04-0 R	#.5	8L3Z 16611B08 AA	\$236.23
	L	#.5	6L3Z 16611B09 AA	\$136.53
	08 R	#.5	8L3Z 16611B08 AA	\$236.23
	L	#.5	6L3Z 16611B09 AA	\$136.53
Pebble	04-0 R	#.5	8L3Z 16611B08 AB	\$236.23
	L	#.5	6L3Z 16611B09 AB	\$136.53
	08 R	#.5	8L3Z 16611B08 AB	\$236.23
	L	#.5	6L3Z 16611B09 AB	\$136.53

#w/Seat Assy & Necessary Trim Removed

Pretensioner, Seat Belt-Serviced w/Side Seat Belt

2 Cover, Anchor

Black	R		4L3Z 1660262 AAC	\$6.97
	L		4L3Z 1660262 AAC	\$6.97
Flint	R		4L3Z 1660262 AAA	\$8.33
	L		4L3Z 1660262 AAA	\$8.33
Pebble	R		4L3Z 1660262 AAB	\$8.33
	L		4L3Z 1660262 AAB	\$8.33

3 Buckle, Seat Belt

R	#.2	6L3Z 1861202 AB	\$120.28
L	#.2	6L3Z 1861203 AB	\$121.50

4 Belt, Center Seat

w/Sport Seats

Black	04	#.4	4L3Z 15611B76 AAC	\$84.73
	05-0	#.4	6L3Z 18611B76 AC	\$70.90
Flint	04	#.4	4L3Z 15611B76 AAA	\$64.32
	05-0	#.4	6L3Z 18611B76 AA	\$70.90
Pebble	04	#.4	4L3Z 15611B76 AAB	\$70.73
	05-0	#.4	6L3Z 18611B76 AB	\$70.90

5 Buckle, Center Seat Belt

w/Sport Seats

Black	04	#.2	4L3Z 15611B70 AAC	\$43.12
	05-0	#.2	6L3Z 15611B70 AC	\$44.42
Flint	04	#.2	4L3Z 15611B70 AAA	\$45.08
	05-0	#.2	6L3Z 15611B70 AA	\$44.42
Pebble	04	#.2	4L3Z 15611B70 AAB	\$35.93
	05-0	#.2	6L3Z 15611B70 AB	\$44.42

#w/Seat Assy Removed

6 Bezel, Trim Panel-See Cab Section

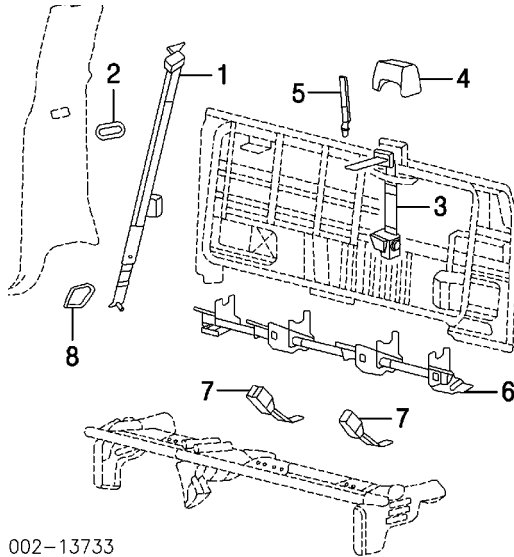
7 Cover, Adjuster

Black	R		4L3Z 18602B90 AAA	\$7.30
	L		4L3Z 18602B90 AAA	\$7.30

2004 Ford New Pickup XLT Pickup F150

Flint	R	4L3Z 18602B90 AAB	\$7.62
	L	4L3Z 18602B90 AAB	\$7.62
Pebble	R	4L3Z 18602B90 AAC	\$7.62
	L	4L3Z 18602B90 AAC	\$7.62
8 Adjuster, Seat Belt			
Black	R	6L3Z 16602B82 BC	\$48.92
	L	6L3Z 16602B82 BC	\$48.92
Flint	R	6L3Z 16602B82 BA	\$40.77
	L	6L3Z 16602B82 BA	\$40.77
Pebble	R	6L3Z 16602B82 BB	\$48.92
	L	6L3Z 16602B82 BB	\$48.92

REAR



002-13733

1 Belt, Side Seat			
Black	R #.5	8L3Z 18611B68 AC	\$121.73
	L #.5	8L3Z 18611B69 AC	\$121.80
Flint	R #.5	8L3Z 18611B68 AA	\$121.73
	L #.5	8L3Z 18611B69 AA	\$121.80
Pebble	R #.5	8L3Z 18611B68 AB	\$121.73
	L #.5	8L3Z 18611B69 AB	\$121.80

#w/Seat Assy & Necessary Trim Removed

2 Bezel, Trim Panel-See Cab Section

3 Belt, Center Seat

2004

Black	#.3	4L3Z 18611B64 AAC	\$183.97
Flint	#.3	4L3Z 18611B64 AAA	\$183.97
Pebble	#.3	4L3Z 18611B64 AAB	\$183.97

2004 Ford New Pickup XLT Pickup F150

2005

To 12-14-04

Black	#.3	5L3Z 18611B64 AAC	\$181.17
Flint	#.3	5L3Z 18611B64 AAA	\$181.32
Pebble	#.3	5L3Z 18611B64 AAB	\$164.92

From 12-15-04

Black	#.3	5L3Z 18611B64 AAF	\$126.03
Flint	#.3	5L3Z 18611B64 AAD	\$121.73
Pebble	#.3	5L3Z 18611B64 AAE	\$126.03

2006

To 12-5-05

Black	#.3	5L3Z 18611B64 AAF	\$126.03
Flint	#.3	5L3Z 18611B64 AAD	\$121.73
Pebble	#.3	5L3Z 18611B64 AAE	\$126.03

From 12-6-05

Black	#.3	6L3Z 18611B64 AC	\$140.67
Flint	#.3	6L3Z 18611B64 AA	\$140.67
Pebble	#.3	6L3Z 18611B64 AB	\$140.67

2007-08

Black	#.3	6L3Z 18611B64 AC	\$140.67
Flint	#.3	6L3Z 18611B64 AA	\$140.67
Pebble	#.3	6L3Z 18611B64 AB	\$140.67

4 Bezel, Support-See Cab Section

5 Anchor Kit, Child Seat (3)¶
¶Order by Application

5L3Z 18613D74 AAA \$10.40

6 Bracket, Mounting-See Rear Seat Section

7 Buckle, Seat Belt

Black	R	#.2	6L3Z 1860044 BC	\$63.57
	L	#.2	4L3Z 1860045 AAC	\$85.32
Flint	R	#.2	6L3Z 1860044 BA	\$63.57
	L	#.2	4L3Z 1860045 AAA	\$74.82
Pebble	R	#.2	6L3Z 1860044 BB	\$63.57
	L	#.2	4L3Z 1860045 AAB	\$74.82

#w/Seat Assy Removed

8 Cover, Lower

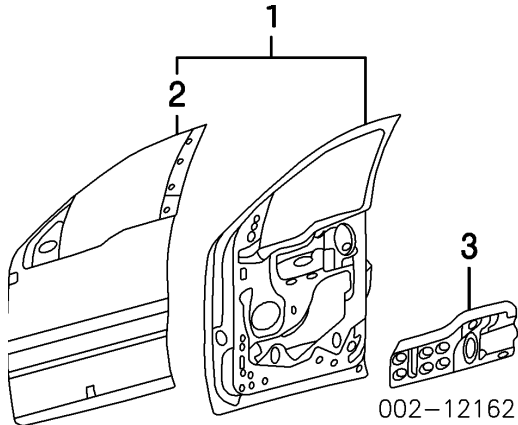
Crew Cab	R		4L3Z 16616B00 BAA	\$7.28
	L		4L3Z 16616B00 AAA	\$7.28

2004 Ford New Pickup XLT Pickup F150

FRONT DOOR

Procedures 16 and 28

SHEET METAL



Refinish Door Outside

Regular Cab

R 2.8

L 2.8

Extended Cab

R 2.8

L 2.8

Crew Cab

R 2.8

L 2.8

Add for Jamb & Interior

R 1.0

L 1.0

Add for Jamb

R .5

L .5

R&I Door Assy

R 1.0

L 1.0

Add to R&R Door Shell Assy

w/Pwr Locks

R .3

L .3

1 Shell Assy, Door

Regular Cab

2004

To 12-1-03 (a)

R #4.5 4L3Z 1520124 BA \$818.75

L #4.5 5L3Z 1520125 AA \$1,353.00

From 12-2-03

R #4.5 8L3Z 1520124 A \$1,398.47

L #4.5 5L3Z 1520125 AA \$1,353.00

2005-08

R #4.5 8L3Z 1520124 A \$1,398.47

L #4.5 5L3Z 1520125 AA \$1,353.00

Extended Cab

2004

To 12-1-03 (a)

R #4.5 4L3Z 1820124 BA \$630.23

2004 Ford New Pickup XLT Pickup F150

		L	#4.5	4L3Z 1820125 BA	\$630.23
From 12-2-03		R	#4.5	5L3Z 1820124 AA	\$1,336.73
		L	#4.5	5L3Z 1820125 AA	\$1,342.13
2005-08		R	#4.5	5L3Z 1820124 AA	\$1,336.73
		L	#4.5	5L3Z 1820125 AA	\$1,342.13

Crew Cab

2004

To 12-1-03 (a)		R	#4.5	4L3Z 1520124 BA	\$818.75
		L	#4.5	5L3Z 1520125 AA	\$1,353.00
From 12-2-03		R	#4.5	8L3Z 1520124 A	\$1,398.47
		L	#4.5	5L3Z 1520125 AA	\$1,353.00
2005-08		R	#4.5	8L3Z 1520124 A	\$1,398.47
		L	#4.5	5L3Z 1520125 AA	\$1,353.00

#Includes R&R Mirror & Speaker

2 Panel, Door Repair¶
 Panel, Door Repair
 Regular Cab

2004

To 12-1-03		R	#6.5	4L3Z 1520200 AA	\$259.40
		L	#6.5	4L3Z 1520201 AA	\$262.00
From 12-2-03		R	#6.5	4L3Z 1520200 CA	\$424.63
		L	#6.5	4L3Z 1520201 CA	\$424.63
2005-08		R	#6.5	4L3Z 1520200 CA	\$424.63
		L	#6.5	4L3Z 1520201 CA	\$424.63

Extended Cab

2004

To 12-1-03 (a)		R	#6.5	9L3Z 1820200 A	\$351.45
		L	#6.5	9L3Z 1820201 A	\$351.45
From 12-2-03		R	#6.5	9L3Z 1820200 A	\$351.45
		L	#6.5	9L3Z 1820201 A	\$351.45
2005-08		R	#6.5	9L3Z 1820200 A	\$351.45
		L	#6.5	9L3Z 1820201 A	\$351.45

Crew Cab

2004

To 12-1-03		R	#6.5	4L3Z 1520200 AA	\$259.40
		L	#6.5	4L3Z 1520201 AA	\$262.00
From 12-2-03		R	#6.5	4L3Z 1520200 CA	\$424.63
		L	#6.5	4L3Z 1520201 CA	\$424.63
2006-08		R	#6.5	4L3Z 1520200 CA	\$424.63
		L	#6.5	4L3Z 1520201 CA	\$424.63

¶Included w/Door Shell Assy

(a) Add'l Parts &/or Dealer Contact Required

2004 Ford New Pickup XLT Pickup F150

#Includes R&R Mirror & Door Glass

3 Reinf, Door

Regular Cab

R 4L3Z 1521124 AA \$41.73

L 4L3Z 1521125 AA \$48.10

Extended Cab

R 4L3Z 1821124 AA \$50.28

L 9L3Z 1821125 A \$70.67

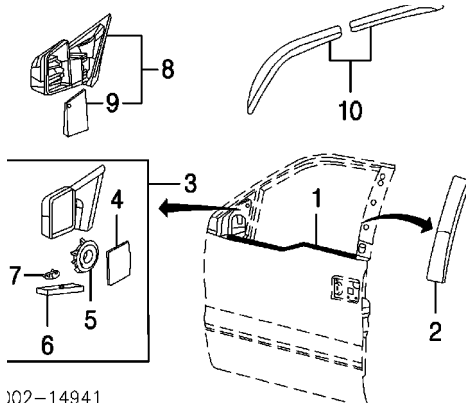
Crew Cab

R 4L3Z 1521124 AA \$41.73

L 4L3Z 1521125 AA \$48.10

EXTERIOR TRIM

2004-06



102-14941

R&I Outer Belt Moulding

R #1.0

L #1.0

#Includes R&I Rear View Mirror & Trim Panel

R&I Rear View Mirror

R #.7

L #.7

#Includes R&I Trim Panel

R&I Wind Deflector

Front

R .2

L .2

Rear

R .2

L .2

R&R Mirror

R #.3

L #.3

#w/Trim Panel Removed

R&R Wind Deflector

Front

R .2

L .2

Rear

R .2

L .2

1 Mldg, Outer Belt

2004 Ford New Pickup XLT Pickup F150

Regular Cab, Crew Cab	R	#.3	6L3Z 1521452 A	\$45.60
	L	#.3	6L3Z 1521453 A	\$45.42
Extended Cab	R	#.3	6L3Z 1821452 A	\$59.75
	L	#.3	6L3Z 1821453 A	\$58.97

#w/Rear View Mirror & Trim Panel Removed

2 Moulding, Rear Door (Adhesive)

w/Harley-Davidson Model	06 R	.2	6L3Z 1520554 ZA	\$61.30
	L	.2	6L3Z 1520555 ZA	\$61.30

w/o Harley-Davidson Model

Regular Cab, Extended Cab	04 R	.2	4L3Z 1520554 CAA	\$70.17
	L	.2	4L3Z 1520555 CAA	\$70.17
	05-0 R	.2	5L3Z 1520554 AAA	\$61.93
	L	.2	5L3Z 1520555 AAA	\$62.53

Crew Cab

2004

To 12-1-03	R	.2	4L3Z 1520554 CAA	\$70.17
	L	.2	4L3Z 1520555 CAA	\$70.17

From 12-2-03	R	.2	4L3Z 1620554 BAA	\$67.45
	L	.2	4L3Z 1620555 BAA	\$69.20

2005-06	R	.2	5L3Z 1620554 AAA	\$54.77
	L	.2	5L3Z 1620555 AAA	\$53.13

3 Mirror Assy, Rear View (Factory Installed)

Manual	R	#.3	8L3Z 17682 DB	\$94.50
	L	#.3	8L3Z 17683 DB	\$93.18

Power

Heated

2004	R	#.3	6L3Z 17682 CA	\$224.58
	L	#.3	6L3Z 17683 CA	\$224.93

2005

w/Puddle Lamp	R	#.3	6L3Z 17682 GA	\$439.73
To 11-29-04	L	#.3	6L3Z 17683 DA	\$439.25

From 11-30-04	R	#.3	6L3Z 17682 GA	\$439.73
	L	#.3	6L3Z 17683 DA	\$439.25

w/o Puddle Lamp	R	#.3	6L3Z 17682 CA	\$224.58
	L	#.3	6L3Z 17683 CA	\$224.93

2006

w/Puddle Lamp	R	#.3	6L3Z 17682 GA	\$439.73
To 8-8-05	L	#.3	6L3Z 17683 DA	\$439.25

2004 Ford New Pickup XLT Pickup F150

From 8-9-05	R	#.3	6L3Z 17682 GA	\$439.73
	L	#.3	6L3Z 17682 DA	\$317.00
w/o Puddle Lamp				
Chrome	R	#.3	6L3Z 17682 HA	\$259.48
	L	#.3	6L3Z 17683 EA	\$259.12
Black	R	#.3	6L3Z 17682 CA	\$224.58
	L	#.3	6L3Z 17683 CA	\$224.93
Non-Heated	R	#.3	8L3Z 17682 EA	\$176.38
	L	#.3	8L3Z 17683 EA	\$174.82
#w/Trim Panel Removed				
4 Glass, Mirror¶				
Manual-Serviced w/Rear View Mirror Assy				
Power				
Heated	R	.2	4L3Z 17K707 DA	\$21.18
	L	.2	4L3Z 17K707 DB	\$21.18
Non-Heated	R	.2	4L3Z 17K707 AB	\$35.27
	L	.2	4L3Z 17K707 AA	\$28.40
5 Motor, Mirror¶	R		6U5Z 17D696 C	\$36.80
	L		6U5Z 17D696 C	\$36.80
6 Lamp, Puddle¶	R		4L3Z 13B374 AA	\$36.78
	L		4L3Z 13B375 AA	\$37.02
7 Bulb, Puddle Lamp¶	R		F6DZ 13466 FA	\$2.97
	L		F6DZ 13466 FA	\$2.97
¶Included w/Rear View Mirror Assy				
Mirror Kit, Trailer Towing				
Dealer Installed				
Slide-On	#		5L3Z 17696 AA	\$86.40
Telescoping				
Manual	#		4L3Z 17696 BA	\$478.11
Power				
Heated				
Chrome	#		4L3Z 17696 DA	\$752.60
Black	#		4L3Z 17696 DB	\$702.19
Non-Heated	#		4L3Z 17696 CA	\$504.27
#See Headnotes for Labor Time				
8 Mirror Assy, Rear View (Dealer Installed) (a)				
Dealer Installed				
Telescoping				
Manual	R	#.3	7L3Z 17682 BB	\$156.43
	L	#.3	7L3Z 17683 BB	\$156.43

2004 Ford New Pickup XLT Pickup F150

Power				
Heated				
Chrome	R	#.3	4L3Z 17682 DA	\$382.19
	L	#.3	4L3Z 17683 DA	\$382.19
Black	R	#.3	4L3Z 17682 DB	\$358.17
	L	#.3	4L3Z 17683 DB	\$358.17
Non-Heated	R	#.3	4L3Z 17682 CA	\$331.67
	L	#.3	4L3Z 17683 CA	\$284.29
#w/Trim Panel Removed				
9 Glass, Mirror (a) (b)				
Manual	R	.2	4L3Z 17K707 A	\$55.57
	L	.2	4L3Z 17K707 A	\$55.57
Power				
Heated	R	.2	4L3Z 17K707 D	\$45.99
	L	.2	4L3Z 17K707 E	\$53.57
Non-Heated	R	.2	4L3Z 17K707 B	\$35.96
	L	.2	4L3Z 17K707 C	\$55.19

(a) Included w/Trailer Towing Mirror Kit

(b) Included w/Rear View Mirror Assy

10 Deflector Kit, Wind				
Dealer Installed				
Regular Cab		#	4L3Z 18246 AA	\$59.29
Extended Cab (c)		#	4L3Z 18246 BA	\$80.00
Crew Cab (c)		#	4L3Z 18246 CA	\$80.00

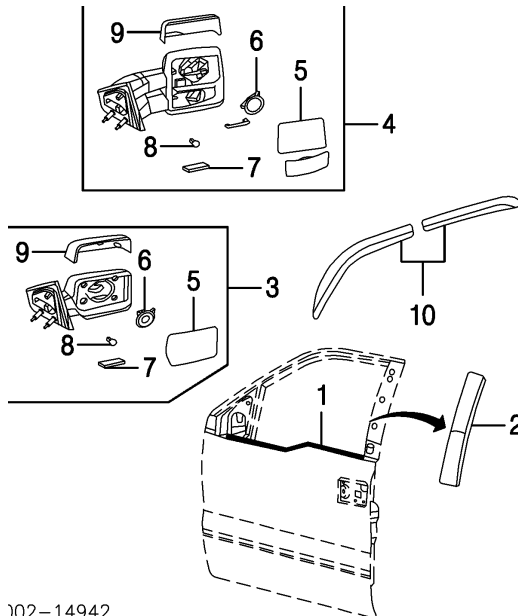
(c) Includes Front & Rear

#See Headnotes for Labor Time

EXTERIOR TRIM

2007-08

2004 Ford New Pickup XLT Pickup F150



107-14942

Refinish Mirror Assy	R	.7		
	L	.7		
Refinish Mirror Cover	R	.5		
	L	.5		
R&I Outer Belt Moulding	R	#1.0		
	L	#1.0		
#Includes R&I Rear View Mirror & Trim Panel				
R&I Rear View Mirror	R	#.7		
	L	#.7		
#Includes R&I Trim Panel				
R&I Wind Deflector				
Front	R	.2		
	L	.2		
Rear	R	.2		
	L	.2		
R&R Rear View Mirror	R	#.3		
	L	#.3		
#w/Trim Panel Removed				
R&R Wind Deflector				
Front	R	.2		
	L	.2		
Rear	R	.2		
	L	.2		

1 Mldg, Outer Belt

Regular Cab, Crew Cab

R	#.3	6L3Z 1521452 A	\$45.60
L	#.3	6L3Z 1521453 A	\$45.42

2004 Ford New Pickup XLT Pickup F150

Extended Cab	R	#.3	6L3Z 1821452 A	\$59.75
	L	#.3	6L3Z 1821453 A	\$58.97
#w/Rear View Mirror & Trim Panel Removed				
2 Moulding, Rear Door (Adhesive)				
w/Harley-Davidson Model	R	.2	6L3Z 1520554 ZA	\$61.30
	L	.2	6L3Z 1520555 ZA	\$61.30
w/o Harley-Davidson Model	R	.2	6L3Z 1520554 AA	\$49.42
	L	.2	6L3Z 1520555 AA	\$39.37
Mirror Kit, Trailer Towing				
Dealer Installed				
Slide-On		#	5L3Z 17696 AA	\$86.40
Telescoping				
Manual		#	4L3Z 17696 BA	\$478.11
Power				
Heated				
Chrome		#	4L3Z 17696 DA	\$752.60
Black		#	4L3Z 17696 DB	\$702.19
Non-Heated		#	4L3Z 17696 CA	\$504.27
#See Headnotes for Labor Time				
Mirror Assy, Rear View				
3 Std Type				
Manual	R	#.3	8L3Z 17682 DB	\$94.50
	L	#.3	8L3Z 17683 DB	\$93.18
Power				
Heated				
w/Puddle Lamp				
Chrome	R	#.3	8L3Z 17682 AA	\$493.72
	L	#.3	8L3Z 17683 AA	\$669.98
Black	R	#.3	8L3Z 17682 HA	\$429.58
	L	#.3	8L3Z 17683 HA	\$605.80
Paint to Match	R	#.3	7L3Z 17682 PA	\$515.80
	L	#.3	8L3Z 17683 TA	\$671.50
w/o Puddle Lamp				
Chrome	R	#.3	8L3Z 17682 BA	\$286.53
	L	#.3	8L3Z 17683 BA	\$463.22
Black	R	#.3	8L3Z 17682 FA	\$224.77
	L	#.3	8L3Z 17683 FA	\$399.45
Paint to Match	R	#.3	8L3Z 17682 RA	\$256.47
	L	#.3	8L3Z 17683 RA	\$431.80
Non-Heated				
	R	#.3	8L3Z 17682 EA	\$176.38
	L	#.3	8L3Z 17683 EA	\$174.82

2004 Ford New Pickup XLT Pickup F150

4	Trailer Tow Type				
	Factory Installed				
	w/Puddle Lamp				
	Chrome	08 R	#.3	9L3Z 17682 EA	\$221.06
		L	#.3	9L3Z 17683 EA	\$221.06
	Black	R	#.3	7L3Z 17682 AE	\$175.00
		L	#.3	7L3Z 17683 AE	\$175.00
	Paint to Match	R	#.3	7L3Z 17682 CB	\$563.47
		L	#.3	7L3Z 17683 CB	\$572.30
	w/o Puddle Lamp	R	#.3	7L3Z 17682 BB	\$156.43
		L	#.3	7L3Z 17683 BB	\$156.43
	Dealer Installed (a)				
	Manual	R	#.3	7L3Z 17682 BB	\$156.43
		L	#.3	7L3Z 17683 BB	\$156.43
	Power				
	Heated				
	Chrome	R	#.3	4L3Z 17682 DA	\$382.19
		L	#.3	4L3Z 17683 DA	\$382.19
	Black	R	#.3	4L3Z 17682 DB	\$358.17
		L	#.3	4L3Z 17683 DB	\$358.17
	Non-Heated	R	#.3	4L3Z 17682 CA	\$331.67
		L	#.3	4L3Z 17683 CA	\$284.29
	#w/Trim Panel Removed				
5	Glass, Mirror (b)				
	Std Type				
	Manual-Serviced w/Rear View Mirror Assy				
	Power				
	Heated				
	w/Puddle Lamp	R		7L3Z 17K707 C	\$26.17
		L		7L3Z 17K707 F	\$23.07
	w/o Puddle Lamp	R	.2	4L3Z 17K707 CA	\$22.08
		L	.2	4L3Z 17K707 CA	\$22.08
	Non-Heated¶	R	.2	4L3Z 17K707 CA	\$22.08
		L	.2	4L3Z 17K707 CA	\$22.08
	Trailer Tow Type				
	Factory Installed				
	w/Puddle Lamp	R	.2	7L3Z 17K707 E	\$27.77
		L	.2	7L3Z 17K707 H	\$27.77
	w/o Puddle Lamp	R	.2	7L3Z 17K707 D	\$11.97
		L	.2	7L3Z 17K707 G	\$16.90
	Dealer Installed (a)				
	Manual	R	.2	4L3Z 17K707 A	\$55.57
		L	.2	4L3Z 17K707 A	\$55.57
	Power				

2004 Ford New Pickup XLT Pickup F150

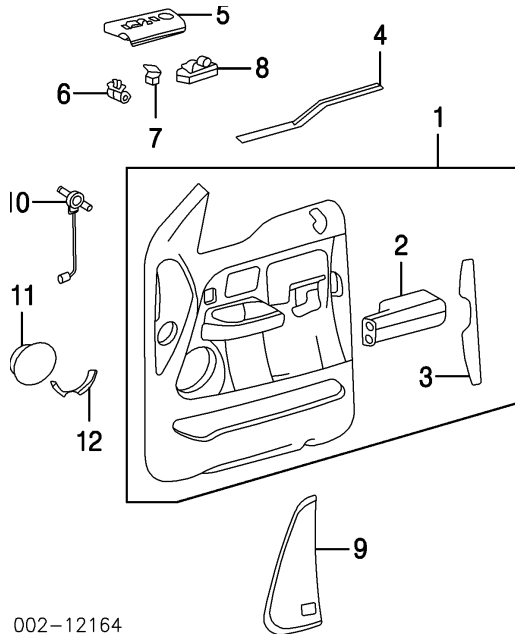
Heated	R	.2	4L3Z 17K707 D	\$45.99
	L	.2	4L3Z 17K707 E	\$53.57
Non-Heated	R	.2	4L3Z 17K707 B	\$35.96
	L	.2	4L3Z 17K707 C	\$55.19
 (a) Included w/Trailer Towing Mirror Kit				
6 Motor, Mirror (b)				
Factory Installed¶	R		6U5Z 17D696 C	\$36.80
	L		6U5Z 17D696 C	\$36.80
¶Order by Application				
7 Lamp, Mirror (b)				
	R		7L3Z 13B374 A	\$31.47
	L		7L3Z 13B375 A	\$31.48
8 Bulb, Mirror Lamp (b)				
	R		F6DZ 13466 FA	\$2.97
	L		F6DZ 13466 FA	\$2.97
9 Cover, Mirror (b)				
Chrome¶	R	.2	5L3Z 17D742 A	\$52.73
	L	.2	5L3Z 17D743 A	\$52.73
Black	R	.2	7L3Z 17D742 AA	\$20.87
	L	.2	7L3Z 17D743 AA	\$20.87
Paint to Match	R	.2	7L3Z 17D742 AB	\$43.13
	L	.2	7L3Z 17D743 AB	\$43.13
 (b) Included w/Rear View Mirror Assy				
¶Order by Application				
10 Deflector Kit, Wind				
Dealer Installed				
Regular Cab	#		4L3Z 18246 AA	\$59.29
Extended Cab (c)	#		4L3Z 18246 BA	\$80.00
Crew Cab (c)	#		4L3Z 18246 CA	\$80.00

(c) Includes Front & Rear

#See Headnotes for Labor Time

INTERIOR TRIM

2004 Ford New Pickup XLT Pickup F150



002-12164

R&I Trim Panel

R	.4
L	.4

NOTE: All Parts in this section are included in R&R Trim Panel unless noted otherwise.

1 Panel Assy, Door Trim

Regular Cab

Man Windows

	2004	R	.5	4L3Z 1523942 AAB	\$243.93
		L	.5	4L3Z 1523943 AAB	\$382.37
	2005				
To 2-10-05		R	.5	4L3Z 1523942 AAB	\$243.93
		L	.5	4L3Z 1523943 AAB	\$382.37
From 2-11-05		R	.5	5L3Z 1523942 AAB	\$314.08
		L	.5	5L3Z 1523943 AAB	\$362.08
	2006				
To 8-8-05		R	.5	5L3Z 1523942 AAB	\$314.08
		L	.5	5L3Z 1523943 AAB	\$362.08
From 8-9-05		R	.5	6L3Z 1523942 AAB	\$268.78
		L	.5	6L3Z 1523943 AAB	\$354.75
2007-08		R	.5	6L3Z 1523942 AAB	\$268.78
		L	.5	6L3Z 1523943 AAB	\$354.75

Pwr Windows

XL, XLT, STX Model

	2004	R	.5	4L3Z 1523942 BAA	\$294.42
		L	.5	4L3Z 1523943 BAA	\$452.40
	2005	R	.5	5L3Z 1523942 DAA	\$330.58

2004 Ford New Pickup XLT Pickup F150

		L	.5	5L3Z 1523943 DAA	\$282.22
	2006				
To 8-8-05		R	.5	5L3Z 1523942 DAA	\$330.58
		L	.5	5L3Z 1523943 DAA	\$282.22
From 8-9-05		R	.5	6L3Z 1523942 DAA	\$308.23
		L	.5	6L3Z 1523943 DAA	\$428.92
2007-08		R	.5	6L3Z 1523942 DAA	\$308.23
		L	.5	6L3Z 1523943 DAA	\$428.92
FX4 Model					
2004-05		R	.5	4L3Z 1523942 CAC	\$301.53
		L	.5	4L3Z 1523943 CAC	\$438.88
	2006				
To 8-8-05		R	.5	4L3Z 1523942 CAC	\$301.53
		L	.5	4L3Z 1523943 CAC	\$438.88
From 8-9-05		R	.5	6L3Z 1523942 EAA	\$346.62
		L	.5	6L3Z 1523943 EAA	\$375.72
2007-08		R	.5	6L3Z 1523942 EAA	\$346.62
		L	.5	6L3Z 1523943 EAA	\$375.72
Extended Cab					
Man Windows					
	2004	R	.5	4L3Z 1823942 AAA	\$378.77
		L	.5	4L3Z 1823943 AAA	\$414.93
	2005				
To 12-2-04		R	.5	4L3Z 1823942 AAA	\$378.77
		L	.5	4L3Z 1823943 AAA	\$414.93
From 12-3-04		R	.5	5L3Z 1823942 AAA	\$255.48
		L	.5	5L3Z 1823943 AAA	\$344.02
	2006				
To 8-8-05		R	.5	5L3Z 1823942 AAA	\$255.48
		L	.5	5L3Z 1823943 AAA	\$344.02
From 8-9-05		R	.5	6L3Z 1823942 AAA	\$244.80
		L	.5	6L3Z 1823943 AAA	\$394.87
2007-08		R	.5	6L3Z 1823942 AAA	\$244.80
		L	.5	6L3Z 1823943 AAA	\$394.87
Pwr Windows					
XL, XLT, STX Model					
	2004	R	.5	4L3Z 1823942 BAA	\$378.77
		L	.5	4L3Z 1823943 BAA	\$456.95
	2005	R	.5	5L3Z 1823942 EAA	\$383.65
		L	.5	5L3Z 1823943 EAA	\$383.65
	2006				
To 8-8-05		R	.5	5L3Z 1823942 EAA	\$383.65
		L	.5	5L3Z 1823943 EAA	\$383.65
From 8-9-05		R	.5	6L3Z 1823942 EAA	\$309.38
		L	.5	6L3Z 1823943 EAA	\$430.22
2007-08		R	.5	6L3Z 1823942 EAA	\$309.38

2004 Ford New Pickup XLT Pickup F150

		L	.5	6L3Z 1823943 EAA	\$430.22
FX2 Model	07-0	R	.5	6L3Z 1823942 FAB	\$284.30
		L	.5	6L3Z 1823943 FAB	\$358.52
FX4 Model					
2004-05		R	.5	4L3Z 1823942 CAC	\$378.15
		L	.5	4L3Z 1823943 CAC	\$444.38
	2006				
To 8-8-05		R	.5	4L3Z 1823942 CAC	\$378.15
		L	.5	4L3Z 1823943 CAC	\$444.38
From 8-9-05		R	.5	6L3Z 1823942 FAA	\$299.68
		L	.5	6L3Z 1823943 FAA	\$394.63
2007-08		R	.5	6L3Z 1823942 FAA	\$299.68
		L	.5	6L3Z 1823943 FAA	\$394.63
Harley-Davidson Model	06	R	.5	6L3Z 1823942 HAA	\$304.00
		L	.5	6L3Z 1823943 HAA	\$358.45
Lariat Model					
	2004	R	.5	4L3Z 1823942 DAA	\$378.15
		L	.5	4L3Z 1823943 DAA	\$499.72
	2005	R	.5	5L3Z 1823942 GAA	\$460.38
		L	.5	5L3Z 1823943 GAA	\$460.38
	2006				
To 8-8-05		R	.5	5L3Z 1823942 GAA	\$460.38
		L	.5	5L3Z 1823943 GAA	\$460.38
From 8-9-05		R	.5	6L3Z 1823942 GAA	\$362.08
		L	.5	6L3Z 1823943 GAA	\$391.67
2007-08		R	.5	6L3Z 1823942 GAA	\$362.08
		L	.5	6L3Z 1823943 GAA	\$391.67
Crew Cab					
XL Model	08	R	.5	6L3Z 1523942 DAA	\$308.23
		L	.5	6L3Z 1523943 DAA	\$428.92
XLT Model					
	2004	R	.5	4L3Z 1523942 BAA	\$294.42
		L	.5	4L3Z 1523943 BAA	\$452.40
	2005	R	.5	5L3Z 1523942 DAA	\$330.58
		L	.5	5L3Z 1523943 DAA	\$282.22
	2006				
To 8-8-05		R	.5	5L3Z 1523942 DAA	\$330.58
		L	.5	5L3Z 1523943 DAA	\$282.22
From 8-9-05		R	.5	6L3Z 1523942 DAA	\$308.23
		L	.5	6L3Z 1523943 DAA	\$428.92
2007-08		R	.5	6L3Z 1523942 DAA	\$308.23
		L	.5	6L3Z 1523943 DAA	\$428.92
FX2 Model	07-0	R	.5	6L3Z 1523942 EAB	\$268.53
		L	.5	6L3Z 1523943 EAB	\$375.72
FX4 Model					
2004-05		R	.5	4L3Z 1523942 CAC	\$301.53

2004 Ford New Pickup XLT Pickup F150

		L	.5	4L3Z 1523943 CAC	\$438.88
	2006				
To 8-8-05		R	.5	4L3Z 1523942 CAC	\$301.53
		L	.5	4L3Z 1523943 CAC	\$438.88
From 8-9-05		R	.5	6L3Z 1523942 EAA	\$346.62
		L	.5	6L3Z 1523943 EAA	\$375.72
2007-08		R	.5	6L3Z 1523942 EAA	\$346.62
		L	.5	6L3Z 1523943 EAA	\$375.72
Harley-Davidson Model		07 R	.5	7L3Z 1623942 AA	\$283.47
		L	.5	7L3Z 1623943 AA	\$402.47
		08 R	.5	8L3Z 1623942 AA	\$283.33
		L	.5	8L3Z 1623943 AA	\$410.58
Lariat Model					
	2004	R	.5	4L3Z 1623942 AAA	\$488.12
		L	.5	4L3Z 1623943 AAA	\$459.10
	2005	R	.5	5L3Z 1623942 CAA	\$385.42
		L	.5	5L3Z 1623943 CAA	\$481.88
	2006				
To 8-8-05		R	.5	5L3Z 1623942 CAA	\$385.42
		L	.5	5L3Z 1623943 CAA	\$481.88
From 8-9-05		R	.5	6L3Z 1623942 CAA	\$385.42
		L	.5	6L3Z 1623943 CAA	\$385.42
2007-08		R	.5	6L3Z 1623942 CAA	\$385.42
		L	.5	6L3Z 1623943 CAA	\$385.42
King Ranch Model					
	2005	R	.5	5L3Z 1623942 BAA	\$385.42
		L	.5	5L3Z 1623943 BAA	\$469.80
	2006				
To 8-8-05		R	.5	5L3Z 1623942 BAA	\$385.42
		L	.5	5L3Z 1623943 BAA	\$469.80
From 8-9-05		R	.5	6L3Z 1623942 BAA	\$294.48
		L	.5	6L3Z 1623943 BAA	\$435.90
2007-08		R	.5	6L3Z 1623942 BAA	\$294.48
		L	.5	6L3Z 1623943 BAA	\$435.90
Limited Model		08 R	.5	8L3Z 1623942 BA	\$271.98
		L	.5	8L3Z 1623943 BA	\$479.08
2 Armrest (a)¶					
Regular Cab					
Man Windows		R	.2	4L3Z 1524140 AAB	\$63.78
		L	.2	4L3Z 1524141 AAB	\$74.42
Pwr Windows		R	.2	4L3Z 1524140 BAB	\$72.00
		L	.2	4L3Z 1524141 BAB	\$76.33
Extended Cab					
Man Windows		R	.2	4L3Z 1824140 AAA	\$67.02
		L	.2	4L3Z 1824141 AAA	\$80.58
Pwr Windows		R	.2	4L3Z 1824140 BAB	\$72.72

2004 Ford New Pickup XLT Pickup F150

		L	.2	4L3Z 1824141 BAB	\$87.33
Crew Cab		R	.2	4L3Z 1524140 BAB	\$72.00
		L	.2	4L3Z 1524141 BAB	\$76.33
¶¶Order by Application					
3 Applique, Trim Panel (a)-Serviced w/Door Trim Panel Assy					
(a) Included w/Door Trim Panel Assy					
4 Mldg, Inner Belt					
Regular Cab, Crew Cab		R		5L3Z 1521456 AA	\$31.53
		L		5L3Z 1521456 AA	\$31.53
Extended Cab		R		5L3Z 1821456 AA	\$33.47
		L		5L3Z 1821456 AA	\$33.47
5 Bezel, Switch¶¶					
Regular Cab		R		4L3Z 14524 AAA	\$21.55
		L		4L3Z 14525 AAA	\$9.13
Extended Cab, Crew Cab		R		4L3Z 14524 AAA	\$21.55
		L		4L3Z 14525 BAA	\$9.40
6 Switch, Mirror					
	2004	L	.2	4L3Z 17B676 AA	\$33.97
2005-06		L	.2	7L3Z 17B676 AA	\$28.43
2007-08		L	.2	7L1Z 17B676 AA	\$18.05
¶¶Order by Application					
7 Switch, Door Lock					
		R	.2	5L1Z 14028 AB	\$29.38
		L	.2	5L1Z 14028 BB	\$26.93
8 Switch, Window					
Regular Cab		R	.2	5L1Z 14529 BA	\$73.10
		L	.2	4L3Z 14529 BAB	\$56.17
Extended Cab, Crew Cab		R	.2	5L1Z 14529 BA	\$73.10
		L	.2	5L1Z 14529 AA	\$66.43
9 Grille, Speaker¶¶					
Regular Cab					
Man Windows	04	R		4L3Z 18978 AAA	\$10.63
		L		4L3Z 18979 AAA	\$10.63
	05-0	R		5L3Z 18978 AAA	\$10.63
		L		5L3Z 18979 AAA	\$9.99
Pwr Windows		R		4L3Z 18978 BAA	\$21.79
		L		4L3Z 18979 BAA	\$20.49
Extended Cab					
Man Windows		R		5L3Z 18978 AAA	\$10.63
		L		5L3Z 18979 AAA	\$9.99
Pwr Windows		R		5L3Z 18978 BAA	\$10.63
		L		5L3Z 18979 BAA	\$10.63
Crew Cab	04	R		4L3Z 18978 CAA	\$21.79

2004 Ford New Pickup XLT Pickup F150

		L		4L3Z 18979 CAA	\$20.49
	05-0	R		5L3Z 18978 BAA	\$10.63
		L		5L3Z 18979 BAA	\$10.63
¶¶Order by Application					
10	Speaker, Upper Door				
	2004-05				
		R		4L3Z 18808 AB	\$40.64
		L		4L3Z 18808 AC	\$40.64
			2006		
	To 8-8-05	R		4L3Z 18808 AB	\$40.64
		L		4L3Z 18808 AC	\$40.64
	From 8-9-05	R		6U5Z 18808 XA	\$28.06
		L		6U5Z 18808 YA	\$28.06
	2007-08	R		6U5Z 18808 XA	\$28.06
		L		6U5Z 18809 XA	
11	Speaker, Lower Door¶¶				
			2004		
		R	#.2	9U5Z 18808 A	\$24.84
		L	#.2	9U5Z 18808 A	\$24.84
			2005		
	To 11-29-04	R	#.2	9U5Z 18808 A	\$24.84
		L	#.2	9U5Z 18808 A	\$24.84
	From 11-30-04	R	#.2	6U5Z 18808 GA	\$40.64
		L	#.2	6U5Z 18808 GA	\$40.64
			2006		
		R	#.2	6U5Z 18808 GA	\$40.64
		L	#.2	6U5Z 18808 GA	\$40.64
	2007-08	R	#.2	8L3Z 18808 A	\$108.20
		L	#.2	8L3Z 18808 A	\$108.20

¶¶Order by Application

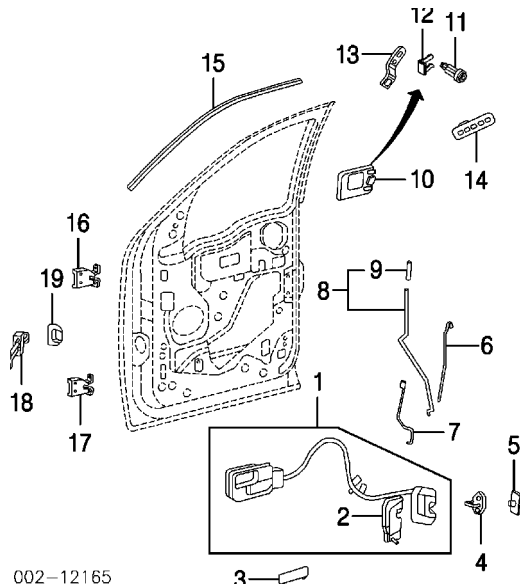
#w/Trim Panel Removed, Not Included in R&R Trim Panel

12	Shield, Lower Speaker				
	Man Windows	R		4L3Z 18B808 BA	\$5.81
		L		4L3Z 18B808 BA	\$5.81
	Pwr Windows	R		4L3Z 18B808 AA	\$6.17
		L		4L3Z 18B808 AA	\$6.17
	Shield, Moisture	R	#	N.A.	
		L	#	N.A.	

#w/Trim Panel Removed, Not Included in R&R Trim Panel

HARDWARE

2004 Ford New Pickup XLT Pickup F150



002-12165

Refinish Outside Handle

R .5
L .5

Refinish Hinge

Upper

R .5
L .5

Lower

R .5
L .5

R&I Outside Handle

R #.7
L #.7

#Includes R&I Lock Cylinder, Trim Panel

1 Latch Assy¶

Man Locks

Regular Cab, Crew Cab

R #.3 8L3Z 15219A64 DA \$97.18
L #.3 7L3Z 15219A65 AC \$123.80

Extended Cab

R #.3 8L3Z 18219A64 AA \$98.53
L #.3 8L3Z 18219A65 AA \$98.73

Pwr Locks

Regular Cab, Crew Cab

R #.3 8L3Z 16219A64 AA \$140.28
L #.3 8L3Z 15219A65 CA \$144.05

Extended Cab

R #.3 8L3Z 18219A64 CA \$153.72
L #.3 8L3Z 18219A65 CA \$143.92

¶Order by Application

2 Actuator, Lock (a)

R #.3 6L2Z 78218A42 AA \$48.33
L #.3 6L2Z 78218A43 AA \$48.65

(a) Included w/Latch Assy

#w/Trim Panel Removed

3 Cover, Inside Handle

04-0 R 8L3Z 1631458 AA \$3.40

2004 Ford New Pickup XLT Pickup F150

	L		8L3Z 1631458 AA	\$3.40
	08 R		8L3Z 1631458 AA	\$3.40
	L		8L3Z 1631458 AA	\$3.40
4 Striker, Front Door	R	.2	5L3Z 1522008 A	\$9.25
	L	.2	5L3Z 1522008 A	\$9.25
5 Plate, Striker				
Regular Cab	R		E25Y 5422024 A	\$6.58
	L		E25Y 5422024 A	\$6.58
6 Rod, Latch				
Regular Cab, Extended Cab	R		4L3Z 1522152 AA	\$9.12
	L		4L3Z 1522153 AA	\$8.77
Crew Cab	R		4L3Z 1622152 AA	\$6.62
	L		4L3Z 1622153 AA	\$5.88
7 Rod, Lock Cyl	R		4L3Z 1522134 AA	\$6.28
	L		4L3Z 1522135 AA	\$6.47
8 Rod Assy, Lock	R		6L3Z 1521852 AA	\$20.28
	L		6L3Z 1521853 AA	\$9.63
9 Knob, Lock (b)	R		D9ZZ 6621850 B	\$7.05
	L		D9ZZ 6621850 B	\$7.05

(b) Included w/Lock Rod Assy

10 Handle, Outside

2004

w/Keyless Entry	R	#.3	9L3Z 1522404 AB	\$53.73
	L	#.3	8L3Z 1522405 AA	\$92.58
w/o Keyless Entry	R	#.3	9L3Z 1522404 BA	\$56.97
	L	#.3	9L3Z 1522405 BA	\$57.28

2005-06

Arizona Beige, (Code AQ)	R	#.3	6L3Z 1522404 DK	\$115.72
	L	#.3	6L3Z 1522405 DK	\$176.37
Black, (Flat)				
w/Keyless Entry	R	#.3	9L3Z 1522404 AB	\$53.73
	L	#.3	8L3Z 1522405 AA	\$92.58
w/o Keyless Entry	R	#.3	9L3Z 1522404 BA	\$56.97
	L	#.3	9L3Z 1522405 BA	\$57.28
Black, (Code UA)	R	#.3	6L3Z 1522404 DC	\$96.43
	L	#.3	6L3Z 1522405 DP	\$149.17
Oxford White, (Code YZ)	R	#.3	6L3Z 1522404 DE	\$96.43
	L	#.3	6L3Z 1522405 DE	\$176.58
Shadow Gray, (Code CX)	R	#.3	9L3Z 1522404 DH	\$138.03
	L	#.3	6L3Z 1522405 DB	
Silver, (Code TS)	R	#.3	9L3Z 1522404 DJ	\$111.43
	L	#.3	6L3Z 1522405 DD	

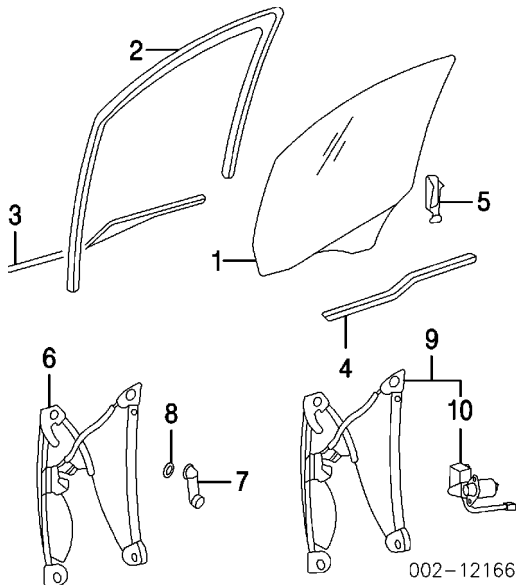
2004 Ford New Pickup XLT Pickup F150

Toreador Red, (Code JL)	R	#.3	6L3Z 1522404 DA	\$96.43
	L	#.3	6L3Z 1522405 DA	
2007-08				
Black				
w/Chrome Insert	R	#.3	9L3Z 1522404 AA	\$83.00
	L	#.3	6L3Z 1522405 AA	\$107.33
w/o Chrome Insert				
w/Keyless Entry	R	#.3	9L3Z 1522404 AB	\$53.73
	L	#.3	8L3Z 1522405 AA	\$92.58
w/o Keyless Entry	R	#.3	9L3Z 1522404 BA	\$56.97
	L	#.3	9L3Z 1522405 BA	\$57.28
Paint to Match	R	#.3	7L3Z 1522404	\$78.58
	L	#.3	8L3Z 1522405 CA	\$133.70
11 Cylinder, Lock				
2004-05	R	#.3	7C3Z 1521990 A	\$50.07
	L	#.3	7C3Z 1521990 A	\$50.07
2006-08	L	#.3	7C3Z 1521990 A	\$50.07
#R&R One Side Complete, w/Trim Panel Removed				
12 Clip, Cylinder				
2004-05	R		4L3Z 1522023 AA	\$11.57
	L		4L3Z 1522023 AA	\$11.57
2006-08	L		4L3Z 1522023 AA	\$11.57
13 Lever, Lock Cylinder				
2004-05	R		YL3Z 1521970 AB	\$4.18
	L		YL3Z 1521971 AB	\$4.70
2006-08	L		YL3Z 1521971 AB	\$4.70
14 Pad, Keyless Entry	L		9L3Z 14A626 AA	\$58.22
Harness, Door Wiring				
Dearborn Plant				
Regular, Extended Cab	R		N.A.	
	L		N.A.	
Crew Cab				
	2004	R	4L3Z 14630 CA	\$129.42
		L	4L3Z 14631 CA	\$157.70
	2005	R	5L3Z 14630 CA	\$107.00
		L	5L3Z 14631 CA	\$73.67
	2006			
To 8-8-05	R		5L3Z 14630 CA	\$107.00
	L		5L3Z 14631 CA	\$73.67
From 8-9-05	R		6L3Z 14630 BA	\$71.00
	L		6L3Z 14631 BA	\$71.67
2007-08	R		7L3Z 14630 CA	\$81.60
	L		7L3Z 14631 CA	\$100.68

2004 Ford New Pickup XLT Pickup F150

Kansas City Plant, Norfolk Plant	R		N.A.	
	L		N.A.	
15 Weatherstrip, Door (On Door)				
Regular Cab	R	.3	5L3Z 1551222 AA	\$73.82
	L	.3	5L3Z 1551223 AA	\$72.90
Extended Cab	R	.3	5L3Z 1851222 AA	\$53.38
	L	.3	5L3Z 1851223 AA	\$64.07
Crew Cab	R	.3	5L3Z 1651222 AA	\$85.00
	L	.3	5L3Z 1651223 AA	\$85.00
16 Hinge, Upper	R	#.3	6L3Z 1522800 AA	\$23.42
	L	#.3	6L3Z 1522801 AA	\$22.73
17 Hinge, Lower	R	#.3	6L3Z 1522810 AA	\$22.73
	L	#.3	6L3Z 1522811 AA	\$33.97
#w/Door Removed				
18 Check, Door	R	#.2	6L3Z 1522886 AA	\$31.97
	L	#.2	6L3Z 1522886 AA	\$31.97
#w/Trim Panel Removed				
19 Plate, Door Check	R		4L3Z 18235A48 AA	\$11.92
	L		4L3Z 18235A48 AA	\$11.92

GLASS & PARTS



1 Glass, Front Door

Ford

Regular Cab, Crew Cab

Extended Cab

R	1.0	4L3Z 1521410 AA	\$258.35
L	1.0	4L3Z 1521411 AA	\$258.35
R	1.0	4L3Z 1821410 AA	\$240.62
L	1.0	4L3Z 1821411 AA	\$240.62

2004 Ford New Pickup XLT Pickup F150

NAGS				
Regular Cab, Crew Cab	R	1.0	DD10462GTN	\$181.60
	L	1.0	DD10463GTN	\$181.60
Extended Cab	R	1.0	DD10464GTN	\$185.70
	L	1.0	DD10465GTN	\$185.70
2 Run, Glass				
Regular Cab, Crew Cab	04 R	#.8	4L3Z 1521536 AA	\$106.53
	L	#.8	5L3Z 1521537 AA	\$104.77
	05-0 R	#.8	5L3Z 1521536 AA	\$107.35
	L	#.8	5L3Z 1521537 AA	\$104.77
Extended Cab	R	#.8	5L3Z 1821536 AA	\$111.82
	L	#.8	5L3Z 1821537 AA	\$85.85
#w/Door Glass Removed Deduct .5				
3 Mldg, Outer Belt-See Exterior Trim Section				
4 Mldg, Inner Belt-See Interior Trim Section				
5 Channel, Glass	R		6L3Z 15222A00 AA	\$27.23
	L		6L3Z 15222A01 AA	\$20.65
6 Regulator, Man Window				
Regular Cab				
2004-05	R	#.7	4L3Z 1523200 AC	\$40.30
	L	#.7	8L3Z 1523201 A	\$56.08
	2006			
To 8-8-05	R	#.7	4L3Z 1523200 AC	\$40.30
	L	#.7	8L3Z 1523201 A	\$56.08
From 8-9-05	R	#.7	8L3Z 1523200 A	\$49.98
	L	#.7	8L3Z 1523201 A	\$56.08
	2007			
	R	#.7	8L3Z 1523200 A	\$49.98
	L	#.7	8L3Z 1523201 A	\$56.08
	2008			
	R	#.7	8L3Z 1523200 A	\$49.98
	L	#.7	8L3Z 1523201 A	\$56.08
Extended Cab	R	#.7	6L3Z 1823200 AA	\$57.16
	L	#.7	6L3Z 1823201 AA	\$58.32
#w/Door Glass Removed Deduct .5				
7 Handle, Regulator	R		F37Z 1023342 A	\$11.22
	L		F37Z 1023342 A	\$11.22
8 Plate, Handle	R		E9TZ 1023370 A	\$5.35
	L		E9TZ 1023370 A	\$5.35
9 Regulator, Power Window				
Regular Cab, Crew Cab				
2004-05	R	#.8	4L3Z 1523200 CA	\$189.64

2004 Ford New Pickup XLT Pickup F150

		L	#.8	4L3Z 1523201 CA	\$173.84
	2006				
To 8-8-05		R	#.8	4L3Z 1523200 CA	\$189.64
		L	#.8	4L3Z 1523201 CA	\$173.84
From 8-9-05		R	#.8	6L3Z 1523200 BA	\$157.78
		L	#.8	6L3Z 1523201 BA	\$159.36
2007-08		R	#.8	6L3Z 1523200 BA	\$157.78
		L	#.8	6L3Z 1523201 BA	\$159.36
Extended Cab					
2004-05		R	#.8	4L3Z 1823200 CA	\$129.00
		L	#.8	4L3Z 1823201 CA	\$181.74
	2006				
To 8-8-05		R	#.8	4L3Z 1823200 CA	\$129.00
		L	#.8	4L3Z 1823201 CA	\$181.74
From 8-9-05		R	#.8	6L3Z 1823200 BA	\$129.00
		L	#.8	6L3Z 1823201 BA	\$127.72
2007-08		R	#.8	6L3Z 1823200 BA	\$129.00
		L	#.8	6L3Z 1823201 BA	\$127.72

10 Motor, Regulator-Serviced w/Power Window Regulator

#w/Door Glass Removed Deduct .5

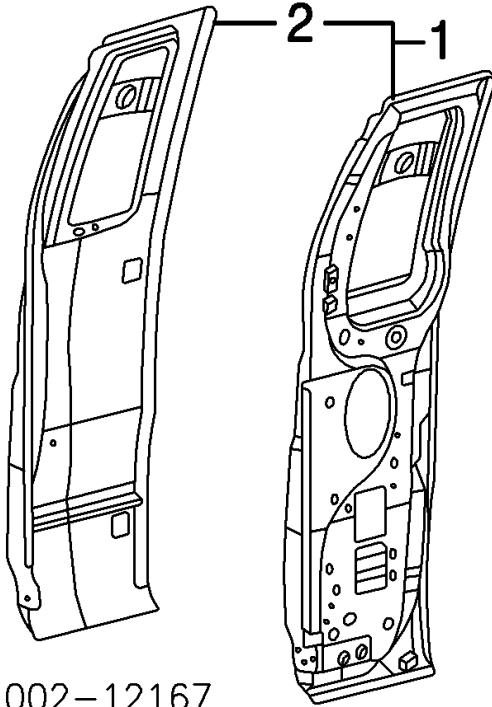
2004 Ford New Pickup XLT Pickup F150

REAR DOOR

Procedures 16 and 28

SHEET METAL/EXTERIOR TRIM

REGULAR CAB



002-12167

Refinish Door Outside

R 2.0

L 2.0

Add for Jambs & Interior

R 1.0

L 1.0

Add for Jambs

R .5

L .5

R&I Door Assy

R 1.0

L 1.0

1 Shell Assy, Door

R 4.0 6L3Z 1524630 A \$749.73

L 4.0 6L3Z 1524631 A \$856.33

2 Panel, Door Repair¶

Panel, Door Repair

R #4.0 4L3Z 1524700 CA \$292.47

L #4.0 4L3Z 1524701 CA \$292.47

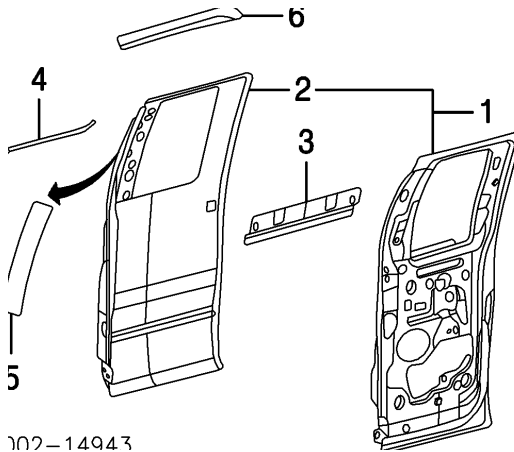
¶Included w/Door Shell Assy

#Includes R&R Door Glass

SHEET METAL/EXTERIOR TRIM

2004 Ford New Pickup XLT Pickup F150

EXTENDED CAB



100-14943

Refinish Door Outside

R 2.1

L 2.1

Add for Jamb & Interior

R 1.0

L 1.0

Add for Jamb

R .5

L .5

R&I Door Assy

R #1.0

L #1.0

#w/Necessary Bolted Parts & Assemblies Removed

R&I Outer Belt Moulding

R .2

L .2

R&I Door Moulding

R .2

L .2

R&I Air Deflector

R .2

L .2

1 Shell Assy, Door

2004

To 12-1-03

R #4.0 4L3Z 1824630 BA \$608.00

L #4.0 4L3Z 1824631 BA \$614.08

From 12-2-03

R #4.0 5L3Z 1824630 AA \$697.03

L #4.0 5L3Z 1824631 AA \$793.18

2005-08

R #4.0 5L3Z 1824630 AA \$697.03

L #4.0 5L3Z 1824631 AA \$793.18

#w/Necessary Bolted Parts & Assemblies Removed

2 Panel, Door Repair

Panel, Door Repair

2004

2004 Ford New Pickup XLT Pickup F150

To 12-1-03	R	#5.5	4L3Z 1824700 AA	\$322.95
	L	#5.5	4L3Z 1824701 CA	\$298.97
From 12-2-03	R	#5.5	4L3Z 1824700 CA	\$298.97
	L	#5.5	4L3Z 1824701 CA	\$298.97
2005-08	R	#5.5	4L3Z 1824700 CA	\$298.97
	L	#5.5	4L3Z 1824701 CA	\$298.97

¶Included w/Door Shell Assy

#w/Necessary Bolted Parts & Assemblies Removed, Includes R&R Door Glass

3 Cover, Regulator Opening	R		4L3Z 1826086 AA	\$46.97
	L		4L3Z 1826086 AA	\$46.97
4 Mldg, Outer Belt	R	.2	6L3Z 1825596 A	\$52.75
	L	.2	6L3Z 1825597 A	\$51.20

5 Moulding, Front Door (Adhesive)

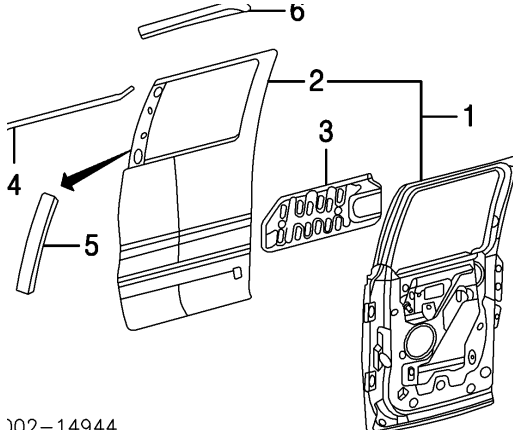
2004	R	.2	4L3Z 18255A34 CAA	\$90.33
	L	.2	4L3Z 18255A35 CAA	\$90.33
2005	R	.2	5L3Z 18255A34 AAA	\$56.77
	L	.2	5L3Z 18255A35 AAA	\$56.77
2006	R	.2	6L3Z 18255A34 ZA	\$66.33
	L	.2	6L3Z 18255A35 ZA	\$65.15
w/Harley-Davidson Model				
w/o Harley-Davidson Model				
To 12-5-05	R	.2	5L3Z 18255A34 AAA	\$56.77
	L	.2	5L3Z 18255A35 AAA	\$56.77
From 12-6-05	R	.2	6L3Z 18255A34 AA	\$39.43
	L	.2	6L3Z 18255A35 AA	\$39.43
2007-08				
w/Harley-Davidson Model	R	.2	6L3Z 18255A34 ZA	\$66.33
	L	.2	6L3Z 18255A35 ZA	\$65.15
w/o Harley-Davidson Model	R	.2	6L3Z 18255A34 AA	\$39.43
	L	.2	6L3Z 18255A35 AA	\$39.43

6 Deflector Kit, Wind-See Front Door Section

SHEET METAL/EXTERIOR TRIM

CREW CAB

2004 Ford New Pickup XLT Pickup F150



107-14944

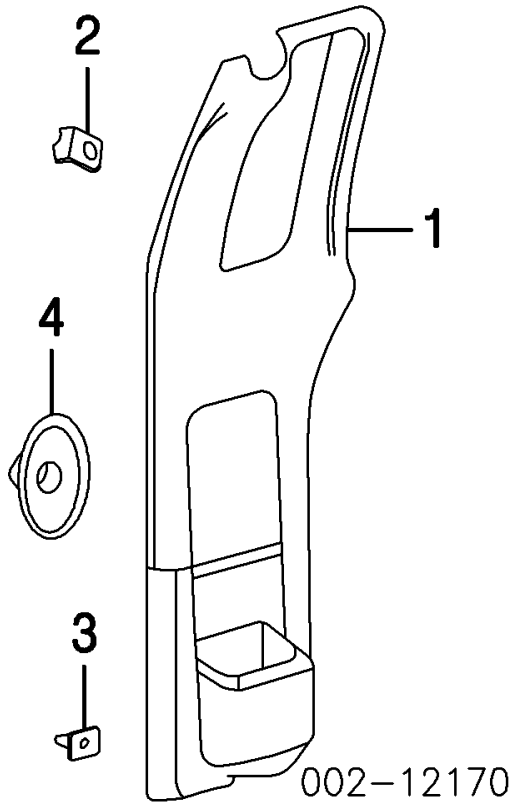
Refinish Door Outside	R	2.4			
	L	2.4			
Add for Jambs & Interior	R	1.0			
	L	1.0			
Add for Jambs	R	.5			
	L	.5			
R&I Door Assy	R	1.0			
	L	1.0			
R&I Outer Belt Moulding	R	.3			
	L	.3			
R&I Door Moulding	R	.2			
	L	.2			
R&I Air Deflector	R	.2			
	L	.2			
1 Shell Assy, Door	R	5.5	5L3Z 1624630 C	\$1,579.83	
	L	5.5	5L3Z 1624631 C	\$1,602.00	
2 Panel, Door Repair (a)					
Panel, Door Repair	R	#7.5	4L3Z 1624700 CA	\$570.08	
	L	#7.5	4L3Z 1624701 CA	\$523.53	
(a) Included w/Door Shell Assy					
#Includes R&R Door Glass					
3 Reinforcement, Panel	R		4L3Z 1626086 AA	\$62.03	
	L		4L3Z 1626087 AA	\$62.03	
4 Mldg, Outer Belt					
2004					
To 10-2-03	R	.3	6L3Z 1625596 A	\$46.68	
	L	.3	6L3Z 1625597 A	\$46.78	
From 10-3-03	R	.3	6L3Z 1625596 A	\$46.68	
	L	.3	6L3Z 1625597 A	\$46.78	
2005-08	R	.3	6L3Z 1625596 A	\$46.68	
	L	.3	6L3Z 1625597 A	\$46.78	

2004 Ford New Pickup XLT Pickup F150

5 Moulding, Front Door (Adhesive)	04 R	.2	4L3Z 16255A34 CAA	\$75.93
	L	.2	4L3Z 16255A35 CAA	\$75.93
	05-0 R	.2	5L3Z 16255A34 AAA	\$60.87
	L	.2	5L3Z 16255A35 AAA	\$60.87
	07-0 R	.2	6L3Z 16255A34 AA	\$56.40
	L	.2	6L3Z 16255A35 AA	\$56.40

6 Deflector Kit, Wind-See Front Door Section

INTERIOR TRIM
REGULAR CAB



R&I Trim Panel	R	.3	
	L	.3	

NOTE: All Parts in this section are included in R&R Trim Panel unless noted otherwise.

1 Panel, Door Trim
XL, STX Model

Flint	2004	R	.4	4L3Z 1527406 AAA	\$149.00
		L	.4	4L3Z 1527407 AAA	\$148.08

2004 Ford New Pickup XLT Pickup F150

Pebble	R	.4	4L3Z 1527406 AAB	\$126.08
	L	.4	4L3Z 1527407 AAB	\$131.23
2005-08¶				
Flint	R	.4	4L3Z 1527406 BAB	\$123.68
	L	.4	4L3Z 1527407 BAB	\$149.33
Pebble	R	.4	4L3Z 1527406 BAC	\$109.60
	L	.4	4L3Z 1527407 BAC	\$130.00
XLT Model				
Flint	R	.4	4L3Z 1527406 BAB	\$123.68
	L	.4	4L3Z 1527407 BAB	\$149.33
Pebble	R	.4	4L3Z 1527406 BAC	\$109.60
	L	.4	4L3Z 1527407 BAC	\$130.00
FX4 Model				
	R	.4	4L3Z 1527406 BAA	\$108.45
	L	.4	4L3Z 1527407 BAA	\$150.08

¶Order by Application

2 Retainer, Trim Panel (3/Side)

2004-05	R		6L3Z 15310A90 AA	\$6.00
	L		6L3Z 15310A90 AA	\$6.00
2006				
To 8-8-05	R		6L3Z 15310A90 AA	\$6.00
	L		6L3Z 15310A90 AA	\$6.00
From 8-9-05	R		6L3Z 15310A90 AA	\$6.00
	L		6L3Z 15310A90 AA	\$6.00
2007-08	R		6L3Z 15310A90 AA	\$6.00
	L		6L3Z 15310A90 AA	\$6.00

3 Grommet

2004				
To 9-8-03	R		* W705590 S300	\$2.75
	L		* W705590 S300	\$2.75
From 9-9-03	R		* W710459 S300	\$4.75
	L		* W710459 S300	\$4.75
2005-08	R		* W710459 S300	\$4.75
	L		* W710459 S300	\$4.75

4 Speaker, Rear Door¶

Man Front Windows	R	#.2	7U5Z 18808 B	\$24.84
	L	#.2	7U5Z 18808 B	\$24.84
Pwr Front Windows	R	#.2	9U5Z 18808 A	\$24.84
	L	#.2	9U5Z 18808 A	\$24.84

¶Order by Application

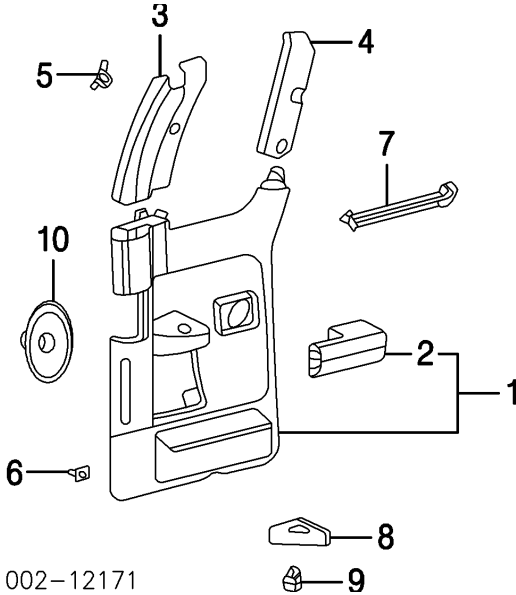
Shield, Moisture	R	#	N.A.	
	L	#	N.A.	

#w/Trim Panel Removed, Not Included in R&R Trim Panel

INTERIOR TRIM

2004 Ford New Pickup XLT Pickup F150

EXTENDED CAB



002-12171

R&I Trim Panel Assy

R	.4
L	.4

NOTE: All Parts in this section are included in R&R Trim Panel unless noted otherwise.

1 Panel Assy, Lower Trim

Fixed Quarter Glass

Flint

	2004	R	.5	4L3Z 1827406 AAA	\$158.82
		L	.5	4L3Z 1827407 AAA	\$184.33
	2005				
To 11-29-04		R	.5	4L3Z 1827406 AAA	\$158.82
		L	.5	4L3Z 1827407 AAA	\$184.33
From 11-30-04		R	.5	5L3Z 1827406 AAA	\$171.08
		L	.5	5L3Z 1827407 AAA	\$173.33
	2006				
To 8-8-05		R	.5	5L3Z 1827406 AAA	\$171.08
		L	.5	5L3Z 1827407 AAA	\$173.33
From 8-9-05		R	.5	6L3Z 1827406 AAA	\$173.62
		L	.5	6L3Z 1827407 AAA	\$166.23
2007-08		R	.5	6L3Z 1827406 AAA	\$173.62
		L	.5	6L3Z 1827407 AAA	\$166.23
Pebble					
	2004	R	.5	4L3Z 1827406 AAB	\$151.12
		L	.5	4L3Z 1827407 AAB	\$151.12
	2005				
To 11-29-04		R	.5	4L3Z 1827406 AAB	\$151.12

2004 Ford New Pickup XLT Pickup F150

		L	.5 4L3Z 1827407 AAB \$151.12
From 11-30-04		R	.5 5L3Z 1827406 AAB \$151.47
		L	.5 5L3Z 1827407 AAB \$144.52
	2006		
To 8-8-05		R	.5 5L3Z 1827406 AAB \$151.47
		L	.5 5L3Z 1827407 AAB \$144.52
From 8-9-05		R	.5 6L3Z 1827406 AAB \$145.13
		L	.5 6L3Z 1827407 AAB \$145.90
2007-08		R	.5 6L3Z 1827406 AAB \$145.13
		L	.5 6L3Z 1827407 AAB \$145.90
Power Qtr Glass XL, XLT Model Flint			
	2004	R	.5 4L3Z 1827406 BAA \$180.07
		L	.5 4L3Z 1827407 BAA \$209.83
	2005		
To 11-29-04		R	.5 4L3Z 1827406 BAA \$180.07
		L	.5 4L3Z 1827407 BAA \$209.83
From 11-30-04		R	.5 5L3Z 1827406 BAA \$171.08
		L	.5 5L3Z 1827407 BAA \$218.42
	2006		
To 8-8-05		R	.5 5L3Z 1827406 BAA \$171.08
		L	.5 5L3Z 1827407 BAA \$218.42
From 8-9-05		R	.5 6L3Z 1827406 BAA \$186.92
		L	.5 6L3Z 1827407 BAA \$186.92
2007-08		R	.5 6L3Z 1827406 BAA \$186.92
		L	.5 6L3Z 1827407 BAA \$186.92
Pebble			
	2004	R	.5 4L3Z 1827406 BAB \$206.83
		L	.5 4L3Z 1827407 BAB \$216.08
	2005		
To 11-29-04		R	.5 4L3Z 1827406 BAB \$206.83
		L	.5 4L3Z 1827407 BAB \$216.08
From 11-30-04		R	.5 5L3Z 1827406 BAB \$181.77
		L	.5 5L3Z 1827407 BAB \$196.78
	2006		
To 8-8-05		R	.5 5L3Z 1827406 BAB \$181.77
		L	.5 5L3Z 1827407 BAB \$196.78
From 8-9-05		R	.5 6L3Z 1827406 BAB \$196.00
		L	.5 6L3Z 1827407 BAB \$186.92
2007-08		R	.5 6L3Z 1827406 BAB \$196.00
		L	.5 6L3Z 1827407 BAB \$186.92
STX Model	06-0	R	.5 6L3Z 1827406 BAA \$186.92
		L	.5 6L3Z 1827407 BAA \$186.92
FX2 Model	07-0	R	.5 6L3Z 1827406 CAB \$186.00
		L	.5 6L3Z 1827407 CAB \$163.13

2004 Ford New Pickup XLT Pickup F150

FX4 Model

Black Seats

2004-05		R	.5	4L3Z 1827406 CAA	\$179.30
		L	.5	4L3Z 1827407 CAA	\$174.10
	2006				
To 8-8-05		R	.5	4L3Z 1827406 CAA	\$179.30
		L	.5	4L3Z 1827407 CAA	\$174.10
From 8-9-05		R	.5	6L3Z 1827406 CAB	\$186.00
		L	.5	6L3Z 1827407 CAB	\$163.13
2007-08		R	.5	6L3Z 1827406 CAB	\$186.00
		L	.5	6L3Z 1827407 CAB	\$163.13

Flint Seats

2004-05		R	.5	4L3Z 1827406 CAC	\$196.42
		L	.5	4L3Z 1827407 CAC	\$166.18
	2006				
To 8-8-05		R	.5	4L3Z 1827406 CAC	\$196.42
		L	.5	4L3Z 1827407 CAC	\$166.18
From 8-9-05		R	.5	6L3Z 1827406 CAA	\$194.83
		L	.5	6L3Z 1827407 CAA	\$162.37
2007-08		R	.5	6L3Z 1827406 CAA	\$194.83
		L	.5	6L3Z 1827407 CAA	\$162.37

Lariat Model

Black

	2004	R	.5	4L3Z 1827406 CAA	\$179.30
		L	.5	4L3Z 1827407 CAA	\$174.10
	2005	R	.5	4L3Z 1827406 CAA	\$179.30
		L	.5	4L3Z 1827407 CAA	\$174.10
	2006				
To 8-8-05		R	.5	4L3Z 1827406 CAA	\$179.30
		L	.5	4L3Z 1827407 CAA	\$174.10
From 8-9-05		R	.5	6L3Z 1827406 CAB	\$186.00
		L	.5	6L3Z 1827407 CAB	\$163.13
2007-08		R	.5	6L3Z 1827406 CAB	\$186.00
		L	.5	6L3Z 1827407 CAB	\$163.13

Pebble

	2004	R	.5	4L3Z 1827406 DAB	\$220.92
		L	.5	4L3Z 1827407 DAB	\$220.92
	2005	R	.5	5L3Z 1827406 DAB	\$193.55
		L	.5	5L3Z 1827407 DAB	\$232.27
	2006				
To 8-8-05		R	.5	5L3Z 1827406 DAB	\$193.55
		L	.5	5L3Z 1827407 DAB	\$232.27
From 8-9-05		R	.5	6L3Z 1827406 DAB	\$186.30
		L	.5	6L3Z 1827407 DAB	\$175.45
2007-08		R	.5	6L3Z 1827406 DAB	\$186.30
		L	.5	6L3Z 1827407 DAB	\$175.45

2004 Ford New Pickup XLT Pickup F150

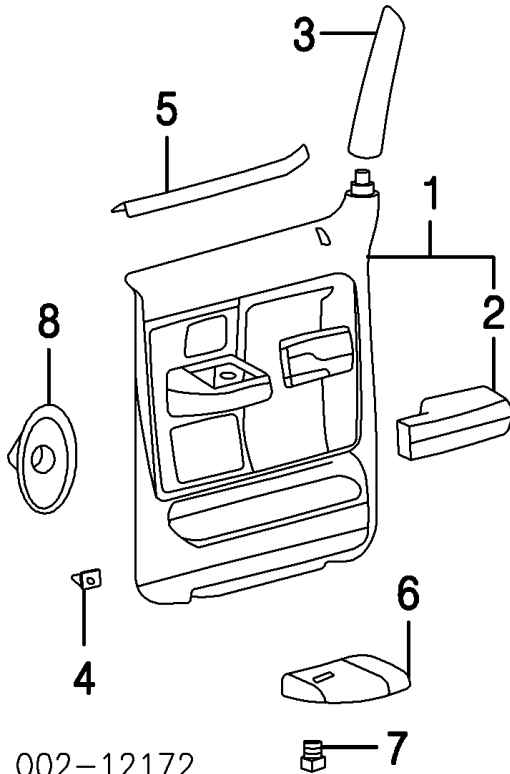
Harley-Davidson Model	06 R	.5	6L3Z 1827406 EAA	\$272.80
	L	.5	6L3Z 1827407 EAA	\$272.80
2 Armrest¶				
Fixed Quarter Glass				
Flint	R	.2	4L3Z 1824140 CAA	\$54.80
	L	.2	4L3Z 1824141 CAA	\$66.92
Pebble	R	.2	4L3Z 1824140 CAB	\$55.77
	L	.2	4L3Z 1824141 CAB	\$55.77
Power Qtr Glass				
Black	R	.2	4L3Z 1824140 DAA	\$50.42
	L	.2	4L3Z 1824141 DAA	\$61.27
Flint	R	.2	4L3Z 1824140 DAB	\$62.67
	L	.2	4L3Z 1824141 DAB	\$60.67
Pebble	R	.2	4L3Z 1824140 DAC	\$51.38
	L	.2	4L3Z 1824141 DAC	\$48.68
¶Included w/Lower Trim Panel Assy				
3 Panel, Front Upper Trim				
Black	R	.2	4L3Z 1825504 AAA	\$30.53
	L	.2	4L3Z 1825505 AAA	\$29.72
Flint	R	.2	4L3Z 1825504 AAB	\$23.77
	L	.2	4L3Z 1825505 AAB	\$23.83
Pebble	R	.2	4L3Z 1825504 AAC	\$29.72
	L	.2	4L3Z 1825505 AAC	\$29.72
4 Panel, Rear Upper Trim				
Black	R	.2	4L3Z 1825504 BAA	\$26.28
	L	.2	4L3Z 1825505 BAA	\$25.53
Flint	R	.2	4L3Z 1825504 BAB	\$21.02
	L	.2	4L3Z 1825505 BAB	\$21.02
Pebble	R	.2	4L3Z 1825504 BAC	\$21.02
	L	.2	4L3Z 1825505 BAC	\$20.58
5 Retainer, Trim Panel	R		6L3Z 18310A90 AA	\$7.00
	L		6L3Z 18310A90 AA	\$7.00
6 Grommet (3/Side)				
	2004			
To 9-8-03	R		* W705590 S300	\$2.75
	L		* W705590 S300	\$2.75
From 9-9-03	R		* W710459 S300	\$4.75
	L		* W710459 S300	\$4.75
2005-08	R		* W710459 S300	\$4.75
	L		* W710459 S300	\$4.75
7 Mldg, Inner Belt	R		4L3Z 1825860 AC	\$39.10
	L		4L3Z 1825861 AC	\$38.90
8 Bezel, Switch				
Black	R	.2	4L3Z 14524 DAA	\$21.47

2004 Ford New Pickup XLT Pickup F150

	L	.2	4L3Z 14525 DAA	\$9.40
Flint	R	.2	4L3Z 14524 DAB	\$21.47
	L	.2	4L3Z 14525 DAB	\$9.40
Pebble	R	.2	4L3Z 14524 DAC	\$58.52
	L	.2	4L3Z 14525 DAC	\$9.40
9 Switch, Window	R	.2	5L1Z 14529 BA	\$73.10
	L	.2	5L1Z 14529 BA	\$73.10
10 Speaker, Rear Door (a)				
Man Front Windows	R	#.2	6U5Z 18808 NA	\$67.76
	L	#.2	6U5Z 18808 NA	\$67.76
Pwr Front Windows	R	#.2	9U5Z 18808 A	\$24.84
	L	#.2	9U5Z 18808 A	\$24.84
(a) Order by Application				
Shield, Moisture	R	#	N.A.	
	L	#	N.A.	

#w/Trim Panel Removed, Not Included in R&R Trim Panel

INTERIOR TRIM
CREW CAB



002-12172

R&I Trim Panel Assy

R	.4
L	.4

2004 Ford New Pickup XLT Pickup F150

NOTE: All Parts in this section are included in R&R Trim Panel unless noted otherwise.

1 Panel Assy, Lower Trim

XL Model

Flint		08 R	.5	6L3Z 1627406 AAA	\$211.28
		L	.5	6L3Z 1627407 AAA	\$211.28
Pebble		08 R	.5	6L3Z 1627406 AAB	\$211.28
		L	.5	6L3Z 1627407 AAB	\$211.28

XLT Model

Flint					
	2004	R	.5	4L3Z 1627406 AAA	\$287.17
		L	.5	4L3Z 1627407 AAA	\$293.42
2005¶		R	.5	5L3Z 1627406 AAA	\$245.55
		L	.5	5L3Z 1627407 AAA	\$245.55
	2006				
To 8-8-05		R	.5	5L3Z 1627406 AAC	\$233.82
		L	.5	5L3Z 1627407 AAC	\$232.43
From 8-9-05		R	.5	6L3Z 1627406 AAA	\$211.28
		L	.5	6L3Z 1627407 AAA	\$211.28
	2007	R	.5	6L3Z 1627406 AAA	\$211.28
		L	.5	6L3Z 1627407 AAA	\$211.28
2008¶		R	.5	6L3Z 1627406 AAA	\$211.28
		L	.5	6L3Z 1627407 AAA	\$211.28

Pebble

	2004	R	.5	4L3Z 1627406 AAB	\$244.52
		L	.5	4L3Z 1627407 AAB	\$283.92
2005¶		R	.5	5L3Z 1627406 AAB	\$240.35
		L	.5	5L3Z 1627407 AAB	\$245.55
	2006				
To 8-8-05		R	.5	5L3Z 1627406 AAD	\$233.82
		L	.5	5L3Z 1627407 AAD	\$232.37
From 8-9-05		R	.5	6L3Z 1627406 AAB	\$211.28
		L	.5	6L3Z 1627407 AAB	\$211.28
2007-08		R	.5	6L3Z 1627406 AAB	\$211.28
		L	.5	6L3Z 1627407 AAB	\$211.28

FX2 Model

		07-0 R	.5	6L3Z 1627406 BAB	\$271.67
		L	.5	6L3Z 1627407 BAB	\$280.00

FX4 Model

Black Seats

	2004	R	.5	4L3Z 1627406 BAA	\$287.50
		L	.5	4L3Z 1627407 BAA	\$292.72
2005¶		R	.5	5L3Z 1627406 BAB	\$284.30
		L	.5	5L3Z 1627407 BAB	\$295.07
	2006				
To 8-8-05		R	.5	5L3Z 1627406 BAD	\$282.57

2004 Ford New Pickup XLT Pickup F150

		L	.5	5L3Z 1627407	BAD	\$275.70
From 8-9-05		R	.5	6L3Z 1627406	BAB	\$271.67
		L	.5	6L3Z 1627407	BAB	\$280.00
2007-08		R	.5	6L3Z 1627406	BAB	\$271.67
		L	.5	6L3Z 1627407	BAB	\$280.00
Flint Seats						
	2004	R	.5	4L3Z 1627406	BAC	\$276.88
		L	.5	4L3Z 1627407	BAC	\$284.80
2005¶		R	.5	5L3Z 1627406	BAA	\$284.52
		L	.5	5L3Z 1627407	BAA	\$192.95
	2006					
To 8-8-05		R	.5	5L3Z 1627406	BAC	\$282.57
		L	.5	5L3Z 1627407	BAC	\$275.97
From 8-9-05		R	.5	6L3Z 1627406	BAA	\$257.73
		L	.5	6L3Z 1627407	BAA	\$295.90
2007-08		R	.5	6L3Z 1627406	BAA	\$257.73
		L	.5	6L3Z 1627407	BAA	\$295.90
Lariat Model						
Black						
	2004	R	.5	4L3Z 1627406	CAA	\$312.02
		L	.5	4L3Z 1627407	CAA	\$312.02
2005¶		R	.5	5L3Z 1627406	CAA	\$322.63
		L	.5	5L3Z 1627407	CAA	\$277.78
	2006					
To 8-8-05		R	.5	5L3Z 1627406	CAC	\$312.57
		L	.5	5L3Z 1627407	CAC	\$279.23
From 8-9-05		R	.5	6L3Z 1627406	CAA	\$318.77
		L	.5	6L3Z 1627407	CAA	\$318.77
2007-08		R	.5	6L3Z 1627406	CAA	\$318.77
		L	.5	6L3Z 1627407	CAA	\$318.77
Pebble						
	2004	R	.5	4L3Z 1627406	CAB	\$312.02
		L	.5	4L3Z 1627407	CAB	\$304.10
2005¶		R	.5	5L3Z 1627406	CAD	\$273.55
		L	.5	5L3Z 1627407	CAD	\$279.23
	2006					
To 8-8-05		R	.5	5L3Z 1627406	CAD	\$273.55
		L	.5	5L3Z 1627407	CAD	\$279.23
From 8-9-05		R	.5	6L3Z 1627406	CAB	\$318.77
		L	.5	6L3Z 1627407	CAB	\$265.63
2007-08		R	.5	6L3Z 1627406	CAB	\$318.77
		L	.5	6L3Z 1627407	CAB	\$265.63
King Ranch Model						
2005¶		R	.5	5L3Z 1627406	DAB	\$319.03
		L	.5	5L3Z 1627407	DAB	\$388.27
	2006					

2004 Ford New Pickup XLT Pickup F150

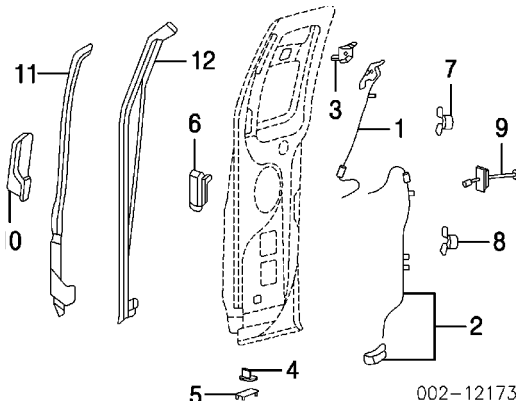
To 8-8-05	R	.5	5L3Z 1627406 DAB	\$319.03
	L	.5	5L3Z 1627407 DAB	\$388.27
From 8-9-05	R	.5	6L3Z 1627406 DAA	\$356.47
	L	.5	6L3Z 1627407 DAA	\$400.12
2007-08	R	.5	6L3Z 1627406 DAA	\$356.47
	L	.5	6L3Z 1627407 DAA	\$400.12
Harley-Davidson Model	07 R	.5	7L3Z 1627406 FA	\$201.58
	L	.5	7L3Z 1627407 FA	\$201.58
	08 R	.5	8L3Z 1627406 AA	\$283.13
	L	.5	8L3Z 1627407 AA	\$283.13
Limited Model	08 R	.5	8L3Z 1627406 BA	\$347.92
	L	.5	8L3Z 1627407 BA	\$289.93
¶Order by Application				
2 Armrest (a)				
Black	R	.2	5L3Z 1624140 BAA	\$66.73
	L	.2	5L3Z 1624141 BAA	\$108.27
Flint	R	.2	5L3Z 1624140 BAB	\$80.50
	L	.2	5L3Z 1624141 BAB	\$130.33
Pebble	R	.2	5L3Z 1624140 BAC	\$67.08
	L	.2	5L3Z 1624141 BAC	\$108.62
(a) Included w/Lower Trim Panel Assy				
3 Panel, Rear Upper Trim				
Black	R	.2	4L3Z 1625504 AAA	\$25.88
	L	.2	4L3Z 1625505 AAA	\$25.88
Flint	R	.2	4L3Z 1625504 AAB	\$23.93
	L	.2	4L3Z 1625505 AAB	\$25.88
Pebble	R	.2	4L3Z 1625504 AAC	\$25.88
	L	.2	4L3Z 1625505 AAC	\$23.93
4 Grommet (3/Side)	R		* W710459 S300	\$4.75
	L		* W710459 S300	\$4.75
5 Mldg, Inner Belt	R		4L3Z 1625860 AC	\$40.18
	L		4L3Z 1625861 AC	\$40.10
6 Bezel, Switch				
Black	R	.2	4L3Z 14524 CAA	\$23.97
	L	.2	4L3Z 14525 CAA	\$9.40
Flint	R	.2	4L3Z 14524 CAB	\$23.62
	L	.2	4L3Z 14525 CAB	\$9.40
Pebble	R	.2	4L3Z 14524 CAC	\$23.62
	L	.2	4L3Z 14525 CAC	\$9.40
7 Switch, Window	R	.2	5L1Z 14529 BA	\$73.10
	L	.2	5L1Z 14529 BA	\$73.10
8 Speaker, Rear Door¶				
Man Front Windows	R	#.2	6U5Z 18808 NA	\$67.76
	L	#.2	6U5Z 18808 NA	\$67.76

2004 Ford New Pickup XLT Pickup F150

Pwr Front Windows	R	#.2	9U5Z 18808 A	\$24.84
	L	#.2	9U5Z 18808 A	\$24.84
Order by Application				
Shield, Moisture	R	#	N.A.	
	L	#	N.A.	

#w/Trim Panel Removed, Not Included in R&R Trim Panel

HARDWARE
REGULAR CAB



Refinish Hinge

Upper

R	.5
L	.5

Lower

R	.5
L	.5

R&I Door Handle

R	.3
L	.3

1 Latch, Upper Door

2004-05

R	#.2	6L3Z 15264A00 AA	\$73.28
L	#.2	6L3Z 15264A01 A	\$51.08

2006

To 6-5-06

R	#.2	6L3Z 15264A00 AA	\$73.28
L	#.2	6L3Z 15264A01 A	\$51.08

From 6-6-06

R	#.2	6L3Z 15264A00 A	\$62.23
L	#.2	6L3Z 15264A01 A	\$51.08

2007-08

R	#.2	6L3Z 15264A00 A	\$62.23
L	#.2	6L3Z 15264A01 A	\$51.08

2 Latch, Lower Door

2004-07

R	#.3	8L3Z 15264A00 B	\$73.40
L	#.3	8L3Z 15264A01 B	\$61.27

2008

To 12-3-07

R	#.3	8L3Z 15264A00 B	\$73.40
L	#.3	8L3Z 15264A01 B	\$61.27

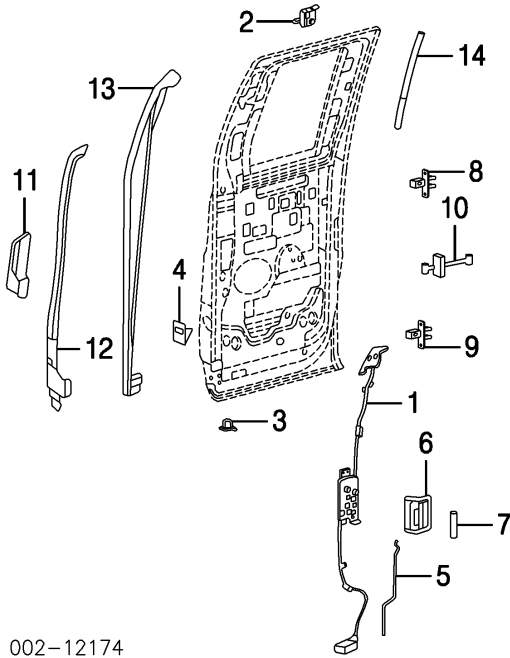
2004 Ford New Pickup XLT Pickup F150

From 12-4-07	R	#.3	8L3Z 15264A00 B	\$73.40
	L	#.3	8L3Z 15264A01 B	\$61.27
#w/Trim Panel Removed				
3 Striker, Upper Latch	R	.2	5L3Z 18265A04 A	\$17.90
	L	.2	5L3Z 18265A04 A	\$17.90
4 Striker, Lower Latch	R	.2	5L3Z 18264B70 A	\$12.72
	L	.2	5L3Z 18264B70 A	\$12.72
5 Plate, Lower Striker	R		4L3Z 1522024 AA	\$5.72
	L		4L3Z 1522024 AA	\$5.72
6 Handle, Door	R	.3	4L3Z 1526604 AAA	\$38.10
	L	.3	4L3Z 1526605 AAA	\$38.18
7 Hinge, Upper	R	#.3	6L3Z 1526800 AA	\$46.88
	L	#.3	6L3Z 1526800 AA	\$46.88
8 Hinge, Lower	R	#.3	4L3Z 1826800 AA	\$22.40
	L	#.3	4L3Z 1826800 AA	\$22.40
#w/Door Removed				
9 Check, Door	R	#.2	4L3Z 1827204 AA	\$30.08
	L	#.2	4L3Z 1827204 AA	\$30.08
#w/Trim Panel Removed				
10 Baffle	R		4L3Z 15219A06 AA	\$10.28
	L		4L3Z 15219A07 AA	\$100.77
11 Seal, Door (On Body)	R	.1	9L3Z 1525324 B	\$29.20
	L	.1	9L3Z 1525325 B	\$29.20
12 Weatherstrip, Door (On Door)	R	.2	4L3Z 18253A36 AE	\$110.18
	L	.2	4L3Z 18253A37 AE	\$91.75
Retainer, Weatherstrip	R		4L3Z 15253A20 AA	\$52.00
	L		4L3Z 15253A21 AA	\$52.00

HARDWARE

EXTENDED CAB

2004 Ford New Pickup XLT Pickup F150



002-12174

Refinish Hinge
Upper

R .5
L .5

Lower

R .5
L .5

R&I Door Handle

R .3
L .3

1 Latch, Door

2004

To 9-9-03

R #.3 4L3Z 18264A00 AB
L #.3 4L3Z 18264A01 AB

From 9-10-03

R #.3 8L3Z 18264A00 B \$131.50
L #.3 8L3Z 18264A01 B \$131.43

2005-07

R #.3 8L3Z 18264A00 B \$131.50
L #.3 8L3Z 18264A01 B \$131.43

2008

To 12-3-07

R #.3 8L3Z 18264A00 B \$131.50
L #.3 8L3Z 18264A01 B \$131.43

From 12-4-07

R #.3 8L3Z 18264A00 B \$131.50
L #.3 8L3Z 18264A01 B \$131.43

#w/Trim Panel Removed

2 Striker, Upper Latch

R .2 5L3Z 18265A04 A \$17.90
L .2 5L3Z 18265A04 A \$17.90

3 Striker, Lower Latch

R .2 5L3Z 18264B70 A \$12.72
L .2 5L3Z 18264B70 A \$12.72

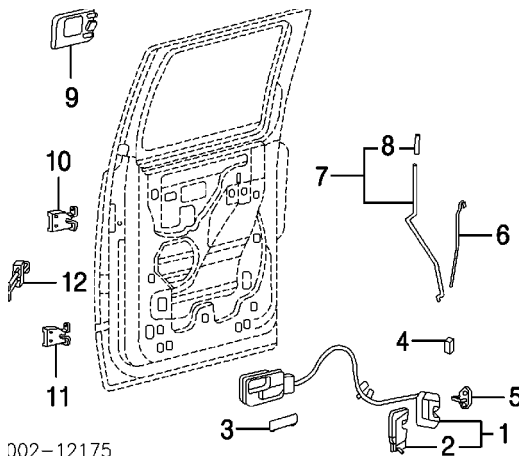
4 Interlock, Door

R 7L3Z 18266B44 AA \$35.23

2004 Ford New Pickup XLT Pickup F150

	L		7L3Z 18266B45 AA	\$35.23
5 Rod, Latch	R		4L3Z 1826642 AA	\$9.50
	L		4L3Z 1826643 AA	\$5.90
6 Handle, Door	R	.3	8L3Z 1822600 AA	\$39.13
	L	.3	8L3Z 1822601 AA	\$41.40
7 Cover, Handle	R		4L3Z 1822670 AAA	\$5.48
	L		4L3Z 1822670 AAA	\$5.48
8 Hinge, Upper	R	#.3	4L3Z 1826800 AA	\$22.40
	L	#.3	4L3Z 1826800 AA	\$22.40
9 Hinge, Lower	R	#.3	4L3Z 1826800 AA	\$22.40
	L	#.3	4L3Z 1826800 AA	\$22.40
#w/Door Removed				
10 Check, Door	R	#.2	4L3Z 1827204 AA	\$30.08
	L	#.2	4L3Z 1827204 AA	\$30.08
#w/Trim Panel Removed				
11 Baffle	R		4L3Z 18219A06 AA	\$10.28
	L		4L3Z 18219A07 AA	\$10.28
12 Seal, Door (On Body)	R	.1	9L3Z 1525324 B	\$29.20
	L	.1	9L3Z 1525325 B	\$29.20
13 Weatherstrip, Door Front (On Door)	R	.2	4L3Z 18253A36 AF	\$95.72
	L	.2	4L3Z 18253A37 AF	\$94.82
14 Weatherstrip, Door Rear (On Door)	R	.2	4L3Z 1820534 AA	\$18.25
	L	.2	4L3Z 1820535 AA	\$24.90
Retainer, Weatherstrip	R		4L3Z 18253A20 AA	\$36.18
	L		4L3Z 18253A21 AA	\$36.18

HARDWARE
CREW CAB



002-12175

Refinish Outside Handle

R	.5
L	.5

2004 Ford New Pickup XLT Pickup F150

Refinish Hinge			
Upper	R	.5	
	L	.5	
Lower	R	.5	
	L	.5	
R&I Outside Handle			
	R	#.7	
	L	#.7	
#Includes R&I Trim Panel Assy			
1 Latch Assy			
2004-06	R	#.3	8L3Z 26264A00 BA \$178.78
	L	#.3	8L3Z 16264A01 BA \$162.27
2007			
w/Harley-Davidson Model	R	#.3	7L3Z 16264A00 BB
	L	#.3	8L3Z 16264A01 BA \$162.27
w/o Harley-Davidson Model	R	#.3	8L3Z 26264A00 BA \$178.78
	L	#.3	8L3Z 16264A01 BA \$162.27
2008			
To 12-3-07	R	#.3	7L3Z 16264A00 BB
	L	#.3	8L3Z 16264A01 BA \$162.27
From 12-4-07	R	#.3	8L3Z 26264A00 BA \$178.78
	L	#.3	8L3Z 26264A01 BA
2 Actuator, Lock¶	R	#.3	6L2Z 78218A42 AA \$48.33
	L	#.3	6L2Z 78218A43 AA \$48.65
¶Included w/Latch Assy			
#w/Trim Panel Removed			
3 Cover, Inside Handle			
04-0	R		8L3Z 1631458 AA \$3.40
	L		8L3Z 1631458 AA \$3.40
08	R		8L3Z 1631458 AA \$3.40
	L		8L3Z 1631458 AA \$3.40
4 Cover, Child Lock			
	R		4L2Z 7826552 AB \$7.47
	L		4L2Z 7826553 AB \$7.58
5 Striker, Rear Door			
04	R	.2	5L3Z 18264B70 A \$12.72
	L	.2	5L3Z 18264B70 A \$12.72
05-0	R		5L3Z 1522008 A \$9.25
	L		5L3Z 1522008 A \$9.25
6 Rod, Latch			
	R		4L3Z 1522152 AA \$9.12
	L		4L3Z 1522153 AA \$8.77
7 Rod Assy, Lock			
	R		4L3Z 1626460 AAA \$8.18
	L		4L3Z 1626461 AAA \$8.47
8 Knob, Lock (a)			
	R		FODZ 5421850 A \$8.45
	L		FODZ 5421850 A \$8.45

(a) Included w/Lock Rod Assy

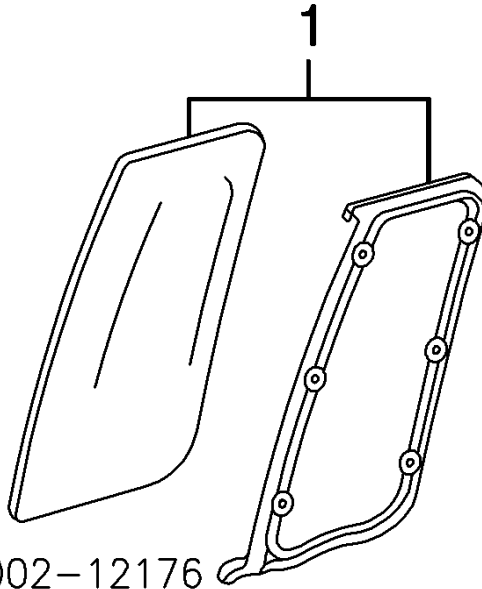
2004 Ford New Pickup XLT Pickup F150

9 Handle, Outside

w/Harley-Davidson Model (P)	07-0 R	#.3	9L3Z 1626604 CAPTM	\$100.95
	L	#.3	7L3Z 1626605	\$80.45
w/o Harley-Davidson Model				
Black				
w/Chrome Insert	R	#.3	9L3Z 1626604 AA	\$76.13
	L	#.3	9L3Z 1626605 AA	\$76.13
w/o Chrome Insert	R	#.3	9L3Z 1626604 AB	\$53.73
	L	#.3	9L3Z 1626605 AB	\$53.18
Paint to Match	R	#.3	9L3Z 1626604	\$100.95
	L	#.3	7L3Z 1626605	\$80.45
(P) Paint to Match				
#w/Trim Panel Removed				
Harness, Door Wiring	R		4L3Z 14630 CAA	\$63.58
	L		4L3Z 14631 CAA	\$126.98
10 Hinge, Upper	R	#.3	4L3Z 1626800 AA	\$31.73
	L	#.3	4L3Z 1626800 AA	\$31.73
11 Hinge, Lower	R	#.3	4L3Z 1626810 AA	\$26.45
	L	#.3	4L3Z 1626810 AA	\$26.45
#w/Door Removed				
12 Check, Door	R	#.2	4L3Z 1627204 AA	\$36.00
	L	#.2	4L3Z 1627204 AA	\$36.00
#w/Trim Panel Removed				
Weatherstrip, Door (On Door)	04 R	.2	4L3Z 16253A40 AA	\$39.10
	L	.2	4L3Z 16253A41 AA	\$39.18
	05-0 R	.2	5L3Z 16253A40 AA	\$30.08
	L	.2	5L3Z 16253A40 AA	\$30.08

GLASS & PARTS
REGULAR CAB

2004 Ford New Pickup XLT Pickup F150



1 Glass, Rear Door

Ford

NAGS

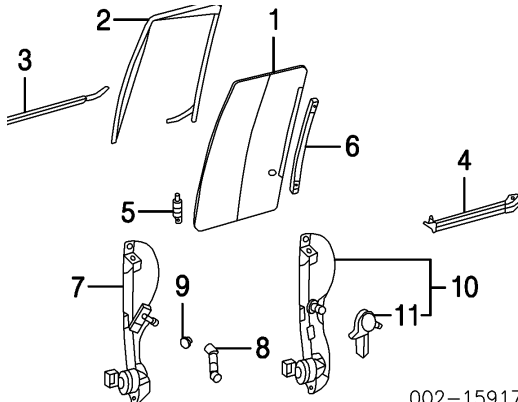
R	#1.5	6L3Z 1529700 AA	\$556.23
L	#1.5	6L3Z 1529701 AA	\$476.53
R	#1.5	DQ10468GTY	\$631.00
L	#1.5	DQ10469GTY	\$631.00

#Includes Clean Up Old Adhesive as Necessary

Adhesive, Glass

N.A.

**GLASS & PARTS
EXTENDED CAB**



1 Glass, Rear Door

Ford

Green

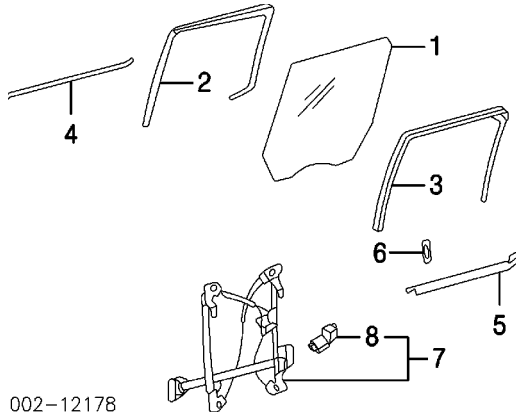
R	1.0	4L3Z 1829700 BA	\$206.50
L	1.0	4L3Z 1829701 BA	\$206.50

2004 Ford New Pickup XLT Pickup F150

Privacy	R	1.0	4L3Z 1829700 AA	\$226.18
	L	1.0	4L3Z 1829701 AA	\$210.00
NAGS				
Green	R	1.0	DQ10470GTN	\$187.95
	L	1.0	DQ10471GTN	\$187.95
Privacy	R	1.0	DQ10470YPN	\$186.30
	L	1.0	DQ10471YPN	\$186.30
2 Run, Glass	R		9L3Z 1825766 A	\$101.20
	L		9L3Z 1825767 A	\$80.03
3 Mldg, Outer Belt-See Exterior Trim Section				
4 Mldg, Inner Belt-See Interior Trim Section				
5 Retainer, Glass Front	R		6L3Z 1825796 AA	\$23.00
	L		6L3Z 1825797 AA	\$23.00
6 Retainer, Glass Rear	R		9L3Z 1825804 A	\$41.46
	L		9L3Z 1825805 A	\$41.56
7 Regulator, Man Window	R	#1.0	6L3Z 1827000 BA	\$59.43
	L	#1.0	6L3Z 1827001 BA	\$68.48
#w/Glass Removed Deduct .8				
8 Handle, Regulator	R		F37Z 1023342 A	\$11.22
	L		F37Z 1023342 A	\$11.22
9 Plate, Handle	R		E9TZ 1023370 A	\$5.35
	L		E9TZ 1023370 A	\$5.35
10 Regulator, Power Window	R	#1.1	6L3Z 1827000 AA	\$90.73
	L	#1.1	6L3Z 1827001 AA	\$90.73
#w/Glass Removed Deduct .8				
11 Motor, Regulator-Serviced w/Power Window Regulator				

GLASS & PARTS
CREW CAB

2004 Ford New Pickup XLT Pickup F150



002-12178

1 Glass, Rear Door

Ford

R	1.0	4L3Z 1625712 AA	\$271.37
L	1.0	4L3Z 1625713 AA	\$233.38

NAGS

Green

R	1.0	DD10466GTN	\$650.10
L	1.0	DD10467GTN	\$650.10

Privacy

R	1.0	DD10466YPN	\$189.50
L	1.0	DD10467YPN	\$189.50

2 Run, Outer Glass

R		7L3Z 1625766 A	\$136.08
L		7L3Z 1625767 A	\$112.80

3 Run, Inner Glass

2004

To 10-6-03

R		7L3Z 1625766 A	\$136.08
L		7L3Z 1625767 A	\$112.80

From 10-7-03

R		7L3Z 1625766 A	\$136.08
L		7L3Z 1625767 A	\$112.80

2005-06

R		7L3Z 1625766 A	\$136.08
L		7L3Z 1625767 A	\$112.80

2007-08- Serviced w/Outer Glass Run

4 Mldg, Outer Belt-See Exterior Trim Section

5 Mldg, Inner Belt-See Interior Trim Section

6 Retainer, Front Glass

R		6L3Z 1625804 AA	\$23.00
L		6L3Z 1625805 AA	\$33.00

7 Regulator, Power Window

R	#1.1	6L3Z 1627000 AA	\$189.66
L	#1.1	6L3Z 1627001 AA	\$158.04

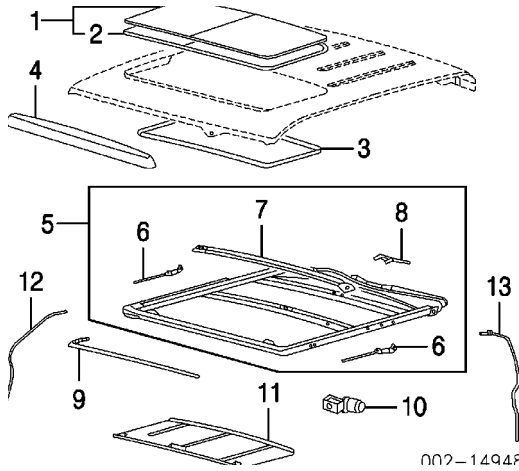
#w/Door Glass Removed Deduct .8

2004 Ford New Pickup XLT Pickup F150

8 Motor, Regulator-Serviced w/Power Window Regulator

2004 Ford New Pickup XLT Pickup F150

SUNROOF



R&I Sunroof Glass Assy			.5		
R&I Sunroof			#1.2		
#w/Headliner Removed					
R&I Wind Deflector			.3		
1 Glass Assy, Sunroof					
Ford		.5	9L1Z 18500A18 A	\$953.97	
NAGS		.5	DR09299YPY	\$957.65	
2 Seal, Glass¶			5L1Z 7851884 AA	\$112.63	
¶Included w/Sunroof Glass Assy					
3 Retainer, Glass					
w/Harley-Davidson Model	06-08		6L3Z 7852124 AA	\$71.82	
w/o Harley-Davidson Model					
Flint			4L3Z 7852124 AAB	\$48.83	
Pebble			4L3Z 7852124 AAA	\$50.53	
4 Deflector, Wind					
Dealer Installed		.3	XL3Z 16500A26 AA	\$64.29	
5 Rail Assy, Sunroof (b)	04-0 #1.8		5L3Z 1851070 AB	\$716.55	
	07-0 #1.8		7L3Z 1651070 B	\$1,199.65	
(b) Order by Application					
#w/Headliner Removed					
6 Guide, Sunroof (a)	R		4C3Z 78500A64 AA	\$26.48	
	L		4C3Z 78500A65 AA	\$28.62	
7 Rail, Drain (a)	04-0	.2	9L1Z 7854022 A	\$55.45	
	07-0	.2	9L1Z 7854022 A	\$55.45	
8 Bracket, Rear (a)					
Extended Cab			4L3Z 18502P74 AB	\$46.47	
Crew Cab			4L3Z 16502P74 AC	\$32.87	

2004 Ford New Pickup XLT Pickup F150

(a) Included w/Sunroof Rail Assy

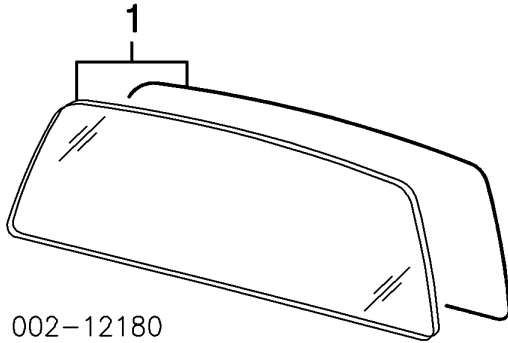
9	Deflector, Air	04-0	.2	1L3Z 18500A26 AA	\$149.82
		07-0	.2	8C3Z 26500A26 A	\$109.05
10	Motor, Sunroof				
	2004-06		#.2	5C3Z 15790 AA	\$405.09
		2007			
	One Touch Open		#.2	7C3Z 15790 A	\$270.29
	One Touch Open/Close		#.2	7L3Z 15790 B	\$339.27
		2008	#.2	8L3Z 15790 A	\$345.73
	#w/Headliner Removed				
11	Shade, Sun				
		2004			
	Black, Flint				
	To 5-2-04		#.3	4L3Z 78519A02 AAB	\$234.80
	From 5-3-04		#.3	4L1Z 78519A02 AAE	\$249.78
	Pebble		#.3	4L1Z 78519A02 AAD	\$232.15
		2005			
	Black, Flint		#.3	4L1Z 78519A02 AAE	\$249.78
	Pebble		#.3	4L1Z 78519A02 AAD	\$232.15
		2006			
	w/Harley-Davidson Model		#.3	6L3Z 18519A02 AA	\$229.30
	w/o Harley-Davidson Model				
	Black, Flint		#.3	4L1Z 78519A02 AAE	\$249.78
	Pebble		#.3	4L1Z 78519A02 AAD	\$232.15
	2007-08				
	w/Harley-Davidson Model		#.3	7L1Z 78519A02 AB	\$243.85
	w/o Harley-Davidson Model				
	Black, Flint		#.3	7L1Z 78519A02 AC	\$244.87
	Pebble		#.3	7L1Z 78519A02 AA	\$244.87
	#w/Glass Assy Removed				
12	Hose, Front Drain	R		4L3Z 18502C52 AB	\$31.00
		L		4L3Z 18502C52 AB	\$31.00
13	Hose, Rear Drain				
	Extended Cab	R		4L3Z 18502C52 AA	\$32.08
		L		4L3Z 18502C52 AA	\$32.08
	Crew Cab	R		4L3Z 16502C52 AA	\$32.47
		L		4L3Z 16502C52 AA	\$32.47

2004 Ford New Pickup XLT Pickup F150

BACK WINDOW

Procedure 19

FIXED



002-12180

R&I Back Window

#2.0

#w/Rear Seat Removed

1 Glass, Back Window

Ford

Heated

#2.0 7L3Z 1542006 A \$627.25

Non-Heated

Green

#2.0 6L3Z 1542006 CA \$537.12

Privacy

#2.0 6L3Z 1542006 FA \$689.00

NAGS

Heated

#2.0 DB10473YPY \$689.85

Non-Heated

Green

#2.0 DB10472GTY \$562.45

Privacy

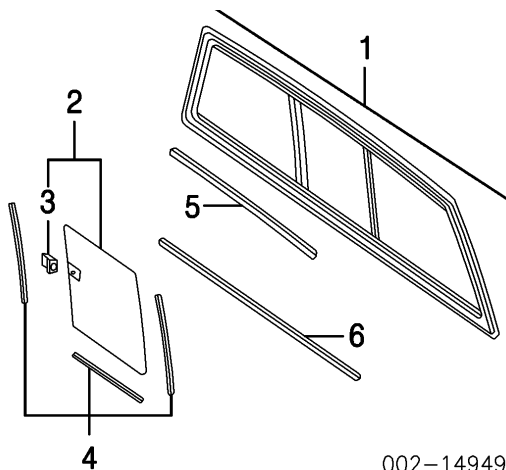
#2.0 DB10472YPY \$545.70

#w/Rear Seat Removed

SLIDING

MANUAL

2004-06



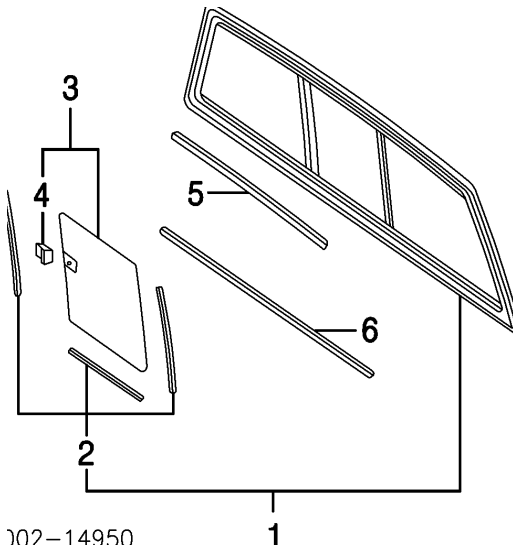
002-14949

2004 Ford New Pickup XLT Pickup F150

R&I Back Window	#2.0		
#w/Rear Seat Removed			
1 Window Assy, Back			
Ford	#2.0	6L3Z 15422B30 BA	\$495.03
NAGS			
Green	#2.0	DB10474GTY	
Privacy	#2.0	DB10474YPY	\$665.60
2 Glass, Center¶			
Ford	#2.3	9L3Z 1542006 B	\$300.67
NAGS	#2.3	DB10767YPY	\$548.45
#w/Rear Seat Removed			
3 Latch, Glass-Serviced w/Center Glass¶			
4 Weatherstrip Kit¶		6L3Z 1542052 A	\$59.05
Run, Glass¶			
5 Upper		4L3Z 15422A36 AB	\$17.62
6 Lower		5L3Z 15422A20 A	\$14.90

¶Included w/Back Window Assy

**SLIDING
MANUAL
2007-08**



107-14950

R&I Back Window	#2.0		
#w/Rear Seat Removed			
1 Window Assy, Back			
Ford	#2.0	4L3Z 15420A26 AA	\$595.28
NAGS	#2.0	DB11133YPY	\$941.70
2 Weatherstrip Kit¶		6L3Z 1542052 A	\$59.05

2004 Ford New Pickup XLT Pickup F150

¶ Included w/Back Window Assy

3 Glass, Center

Ford

#2.3

9L3Z 1542006 B

\$300.67

NAGS

#2.3

DB10767YPY

\$548.45

#w/Rear Seat Removed

4 Latch, Glass-Serviced w/Center Glass

Run, Glass

5 Upper

4L3Z 15422A36 AB

\$17.62

6 Lower

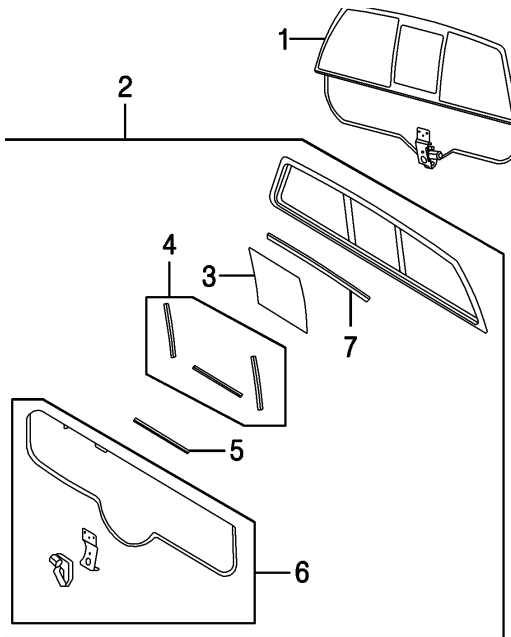
5L3Z 15422A20 A

\$14.90

SLIDING

POWER

2004-06



107-14951

R&I Back Window

#2.3

#w/Rear Seat Removed, Includes Clean Up Adhesive as Necessary

1 Window Kit, Back Sliding

Dealer Installed

#2.3

AL3Z 15422B30 B

\$421.43

Harness, Wiring ¶

Dealer Installed

4L3Z 14A411 AA

\$49.46

¶ Included w/Back Sliding Window Kit

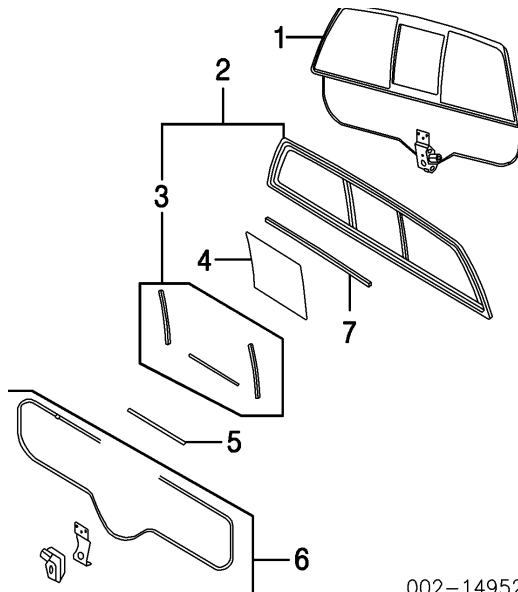
2 Window Assy, Back

2004 Ford New Pickup XLT Pickup F150

Ford		#2.3	6L3Z 15422B30 EA	\$964.87
NAGS				
	2004	#2.3	DB10475YPY	\$970.05
	2005			
To 3-31-05		#2.3	DB10475YPY	\$970.05
From 4-1-05		#2.3	DB10951YPY	\$970.05
	2006	#2.3	DB10951YPY	\$970.05
3 Glass, Center (a)				
Ford		#2.7	9L3Z 1542006 C	\$257.20
NAGS		#2.7	DB10672YPN	\$219.10
#w/Rear Seat Removed, Includes R&I Back Glass				
4 Weatherstrip Kit (a)			6L3Z 1542052 A	\$59.05
5 Channel, Window (a)			4L3Z 15422B68 AA	\$12.63
6 Motor, Window (a)			#2.5	6L3Z 1523394 AB \$149.56
#Includes R&I Back Glass				
7 Run, Upper Glass (a)			4L3Z 15422A36 AB	\$17.62

(a) Included w/Back Window Assy

SLIDING
POWER
2007-08



002-14950

R&I Back Window

#2.3

#w/Rear Seat Removed, Includes Clean Up Adhesive as Necessary

2004 Ford New Pickup XLT Pickup F150

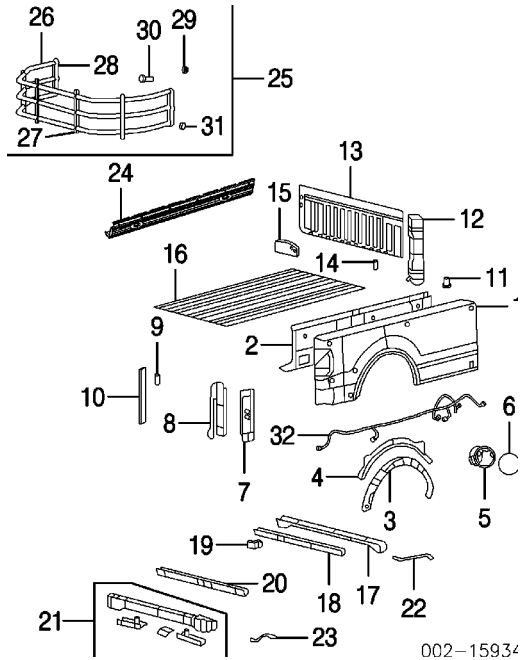
1 Window Kit, Back Sliding				
Dealer Installed	#2.3	AL3Z 15422B30 B	\$421.43	
Harness, Wiring				
Dealer Installed		4L3Z 14A411 AA	\$49.46	
¶Included w/Back Sliding Window Kit				
2 Window Assy, Back				
Ford	#2.7	4L3Z 15420A26 AA	\$595.28	
NAGS	#2.7	DB11133YPY	\$941.70	
3 Weatherstrip Kit (a)		6L3Z 1542052 A	\$59.05	
(a) Included w/Back Window Assy				
4 Glass, Center				
Ford	#2.7	9L3Z 1542006 C	\$257.20	
NAGS	#2.7	DB10672YPN	\$219.10	
#R&R Complete, w/Rear Seat Removed, Includes Clean Up Adhesive as Necessary				
5 Channel, Window		4L3Z 15422B68 AA	\$12.63	
6 Motor, Window	#2.5	6L3Z 1523394 AB	\$149.56	
#Includes R&I Back Window				
7 Run, Upper Glass		4L3Z 15422A36 AB	\$17.62	

2004 Ford New Pickup XLT Pickup F150

PICKUP BED

Procedures 21 and 28

SHEET METAL
STYLESIDE



Refinish Complete Bed Assy Including Tailgate

6 Foot Bed Including Tailgate

#10.0

Add for 2 Tone Including Tailgate

1.2

Refinish Complete Bed Assy 7 Foot Bed Including
Tailgate

#10.5

Add for 2 Tone Including Tailgate

1.3

Refinish Complete Bed Assy 8 Foot Bed Including
Tailgate

#11.5

Add for 2 Tone Including Tailgate

1.5

#Includes Refinish Floor & Insides

Refinish Undersides (If Necessary)

2004 Ford New Pickup XLT Pickup F150

Refinish Box Complete (If Necessary)		#4.0
Refinish Floor/Crossmembers (If Necessary)		#2.0
Refinish Side Panel (If Necessary)	R	#1.3
	L	#1.3
#Not Included in Refinish Bed Complete		
Refinish Outer Panel		
6 Foot Bed	R	3.0
	L	3.0
7 Foot Bed	R	3.2
	L	3.2
8 Foot Bed	R	3.5
	L	3.5
Refinish Inner Panel		
6 Foot Bed	R	1.1
	L	1.1
7 Foot Bed	R	1.3
	L	1.3
8 Foot Bed	R	1.6
	L	1.6
Refinish Panel Reinforcement		
	R	.5
	L	.5
Refinish Fuel Door	L	#.5
#Included in Refinish Left Outer Panel		
Add for Inside	L	.2
Refinish Floor Pan Complete		
6 Foot Bed		#3.4
7 Foot Bed		#3.6
8 Foot Bed		#4.0
#Includes Rear Crossmember		
Refinish Rear Crossmember		1.0
Refinish Front Panel Complete		
Refinish Inside		1.2
R&I Bed Assy		2.5
Apply Spray-On Bed Liner		

2004 Ford New Pickup XLT Pickup F150

Apply Spray-On Bed Liner Bed Inside Complete		4.0
Apply Spray-On Bed Liner Bed Side Inner Panel	R	3.0
	L	3.0
Apply Spray-On Bed Liner Bed Side Outer Panel Cap	R	.3
	L	.3
Apply Spray-On Bed Liner Front Bed Panel		.7
Apply Spray-On Bed Liner Bed Floor		2.0
Apply Spray-On Bed Liner Rear Floor Sill		.5
Apply Spray-On Bed Liner Tailgate Inside		.7

Bed, Complete (b)
6 Foot Bed

2004

To 12-1-03¶

w/Wheel Opening Mldgs	5.2	5L3Z 8428508 A	\$3,683.32
w/o Wheel Opening Mldgs	4.6	5L3Z 8428508 C	\$3,683.32

From 12-2-03

w/Wheel Opening Mldgs	5.2	5L3Z 8428508 A	\$3,683.32
w/o Wheel Opening Mldgs	4.6	5L3Z 8428508 C	\$3,683.32

2005-08

w/Wheel Opening Mldgs	5.2	5L3Z 8428508 A	\$3,683.32
w/o Wheel Opening Mldgs	4.6	5L3Z 8428508 C	\$3,683.32

7 Foot Bed

w/Wheel Opening Mldgs	04-0	5.2	4L3Z 9928508 DA	\$3,683.32
	07-0	5.2	4L3Z 9928508 DA	\$3,683.32
w/o Wheel Opening Mldgs	04-0	4.6	5L3Z 9928508 A	\$3,683.32
	07-0	4.6	5L3Z 9928508 A	\$3,683.32

2004 Ford New Pickup XLT Pickup F150

¶Additional Parts &/or Dealer Contact Required

(b) Includes Tailgate

1 Panel, Outer Side

6 Foot Bed

w/Wheel Opening Mldgs

R	#11.8	4L3Z 8427840 BA	\$508.70
L	#12.3	4L3Z 8427841 BA	\$508.70

#Includes R&I Bed Assy & R&R Wheel Opening Mldg

w/o Wheel Opening Mldgs

R	#11.5	5L3Z 8427840 AA	\$508.70
L	#12.0	5L3Z 8427841 AA	\$508.70

#Includes R&I Bed Assy

7 Foot Bed

w/Wheel Opening Mldgs

R	#12.8	8L3Z 9927840 B	\$552.65
L	#13.3	8L3Z 9927841 B	\$552.65

#Includes R&I Bed Assy & R&R Wheel Opening Mldg

w/o Wheel Opening Mldgs

R	#12.5	8L3Z 9927840 A	\$552.65
L	#13.0	8L3Z 9927841 A	\$552.65

#Includes R&I Bed Assy

8 Foot Bed

w/Wheel Opening Mldgs

R	#14.3	4L3Z 9927840 CA	\$692.93
L	#14.8	4L3Z 9927841 CA	\$692.93

#Includes R&I Bed Assy & R&R Wheel Opening Mldg

w/o Wheel Opening Mldgs

R	#14.0	5L3Z 9927840 A	\$806.52
L	#14.5	5L3Z 9927841 A	\$806.52

#Includes R&I Bed Assy

2 Panel, Inner Side

6 Foot Bed

2004

To 12-1-03¶

R	3.5	4L3Z 8427864 BA	\$250.95
L	3.5	4L3Z 8427865 BA	\$233.40

From 12-2-03

R	3.5	4L3Z 8427864 BA	\$250.95
L	3.5	4L3Z 8427865 BA	\$233.40

2005-08

R	3.5	4L3Z 8427864 BA	\$250.95
L	3.5	4L3Z 8427865 BA	\$233.40

7 Foot Bed

04-0	R	4.0	8L3Z 9927864 A	\$271.10
	L	4.0	8L3Z 9927865 A	\$285.57
08	R	4.0	8L3Z 9927864 A	\$271.10

2004 Ford New Pickup XLT Pickup F150

8 Foot Bed	L	4.0	8L3Z 9927865 A	\$285.57
	R	4.5	4L3Z 9927864 AA	\$388.37
	L	4.5	4L3Z 9927865 AA	\$328.92
¶Add'l Parts &/or Dealer Contact Required				
3 Panel, Outer Wheelhouse	R	#1.5	4L3Z 9927886 AA	\$108.37
	L	#1.5	4L3Z 9927887 AA	\$108.37
4 Panel, Inner Wheelhouse	R	#1.5	F65Z 9927886 AH	\$61.52
	L	#1.5	F65Z 9927887 AD	\$61.52
#R&R One Side Complete, Included in R&R Inner Panel				
5 Housing, Fuel Filler	L		4L3Z 9927936 BA	\$31.82
6 Door, Fuel	L	.3	4L3Z 99405A26 EAA	\$40.38
7 Reinf, Rear Panel	R	#3.0	4L3Z 9941058 AA	\$90.22
	L	#3.0	4L3Z 9941059 AA	\$90.22
8 Pillar, Inner Rear 6 Foot Bed	R	#3.0	4L3Z 8441032 BA	\$63.05
	L	#3.0	9L3Z 8441033 A	\$50.97
7 Foot Bed, 8 Foot Bed	R	#3.0	4L3Z 9941032 BA	\$66.52
	L	#3.0	4L3Z 9941033 BA	\$75.58
#R&R One Side Complete, w/Outer Panel Removed Deduct 1.5				
9 Striker, Latch	R		F81Z 99431B98 AA	\$44.95
	L		F81Z 99431B98 AA	\$44.95
10 Pillar, Outer Rear	R		4L3Z 9941022 AA	\$68.78
	L		4L3Z 9941023 AA	\$68.78
11 Hook, Tie-Down (2/Side) 2004-05	R		YL3Z 9900064 AAA	\$3.94
	L		YL3Z 9900064 AAA	\$3.94
2006				
To 8-8-05	R		YL3Z 9900064 AAA	\$3.94
	L		YL3Z 9900064 AAA	\$3.94
From 8-9-05 w/Chrome	R		3L3Z 9900064 AA	\$13.17
	L		3L3Z 9900064 AA	\$13.17
w/o Chrome	R		YL3Z 9900064 AAA	\$3.94
	L		YL3Z 9900064 AAA	\$3.94
2007-08 w/Chrome	R		3L3Z 9900064 AA	\$13.17
	L		3L3Z 9900064 AA	\$13.17
w/o Chrome	R		YL3Z 9900064 AAA	\$3.94
	L		YL3Z 9900064 AAA	\$3.94
12 Ext, Front Panel	R	#2.5	4L3Z 9900374 AA	\$61.83

2004 Ford New Pickup XLT Pickup F150

	L	#2.5	4L3Z 9900375 AA	\$71.35
#w/Bed Assy Removed, w/Front Panel Removed Deduct 1.0				
13 Panel, Front		#5.0	5L3Z 9900124 A	\$290.58
#w/Bed Assy Removed				
14 Plug, Panel	R		4L3Z 99277B76 AA	\$6.18
	L		4L3Z 99277B76 AA	\$6.18
15 Reinf, Panel				
6 Foot Bed	R		YL3Z 84002K94 AA	\$74.48
	L		YL3Z 84002K95 AA	\$19.22
16 Pan, Floor				
6 Foot Bed		#11.0	9L3Z 8411215 A	\$344.78
7 Foot Bed		#12.0	9L3Z 9911215 B	\$523.40
8 Foot Bed		#14.0	XL3Z 9911215 AA	\$661.40
#w/Bed Assy Removed, Deduct 2.0 w/Each Inner Panel Removed, Deduct 1.0 w/Front Panel Removed				
Bolt, Bed Attaching (c) (d)	R		* W709424 S901	\$14.50
	L		* W709424 S901	\$14.50
Clip, Attaching (c) (d)				
Front/Center	R		* W708605 S436	\$5.75
	L		* W708605 S436	\$5.75
Rear	R		* W712174 S436	\$4.00
	L		* W712174 S436	\$4.00
(c) As Required				
(d) Non-Reusable Part				
17 Crossmember, Front				
6 Foot Bed		#2.5	4L3Z 8410610 DA	\$245.87
7 Foot Bed, 8 Foot Bed		#2.5	9L3Z 9910610 A	\$111.28
18 Crossmember, Front Inner				
6 Foot Bed		#2.0	YL3Z 9910716 AA	\$58.50
#w/Bed Assy Removed				
7 Foot Bed, 8 Foot Bed-Serviced w/Floor Pan				
19 Reinf, Extension				
6 Foot Bed	R		YL3Z 84108A26 AA	\$38.40
	L		YL3Z 84108A27 AA	\$32.00
20 Crossmember, Rear Inner		#2.5	9L3Z 99108A12 A	\$83.15
21 Crossmember, Rear		#7.0	9L3Z 9910608 A	\$224.88
#w/Bed Assy Removed				
22 Brace, Front Wheelhouse				
2004-05	R		F65Z 99279A28 A	\$11.30
	L		4L3Z 99279A29 AA	\$21.25
2006				
To 12-5-05	R		F65Z 99279A28 A	\$11.30

2004 Ford New Pickup XLT Pickup F150

		L	4L3Z 99279A29 AA	\$21.25
From 12-6-05		R	6L3Z 99279A30 B	\$23.98
		L	6L3Z 99279A31 B	\$23.40
2007-08		R	6L3Z 99279A30 B	\$23.98
		L	6L3Z 99279A31 B	\$23.40
23 Brace, Rear Wheelhouse				
2004-05		R	F65Z 99279A30 A	\$8.67
		L	F65Z 99279A31 A	\$8.83
	2006			
To 12-5-05		R	F65Z 99279A30 A	\$8.67
		L	F65Z 99279A31 A	\$8.83
From 12-6-05		R	6L3Z 99279A30 A	\$10.70
		L	6L3Z 99279A31 A	\$10.70
2007-08		R	6L3Z 99279A30 A	\$10.70
		L	6L3Z 99279A31 A	\$10.70
24 Bracket, Side				
w/Cargo Management Pkg				
w/Bed Divider				
w/Load Bars	08	R	8L3Z 99286A44 D	\$426.82
		L	8L3Z 99286A45 D	\$426.82
w/o Load Bars	08	R	8L3Z 99286A44 B	\$423.00
		L	8L3Z 99286A45 B	\$423.00
w/o Bed Divider				
w/Load Bars	08	R	8L3Z 99286A44 C	
		L	8L3Z 99286A45 C	\$426.82
w/o Load Bars	08	R	8L3Z 99286A44 A	\$423.00
		L	8L3Z 99286A45 A	\$423.00
25 Extender Kit, Bed				
Factory Installed-Serviced by Components				
Dealer Installed			4L3Z 84286A40 AA	\$465.19
26 Tube, Extender				
Upper	04-0	#.4	4L3Z 84286B22 BA	\$171.40
	08	#.4	8L3Z 84286B22 B	
Center/Lower, (2)	04-0	#.4	4L3Z 84286B22 AA	\$208.30
	08	#.4	8L3Z 84286B22 A	
27 Support, Center (4)	04-0	#.4	1L5Z 99286B23 BA	\$19.68
	08	#.4	8L3Z 84286B23 A	
28 Support, End				
2004-05		R	#.4 1L5Z 99286B24 AA	\$17.52
		L	#.4 1L5Z 99286B24 AA	\$17.52
	2006			
To 12-5-05		R	#.4 1L5Z 99286B24 AA	\$17.52
		L	#.4 1L5Z 99286B24 AA	\$17.52
From 12-6-05		R	#.4 6L3Z 99286B24 A	\$42.68

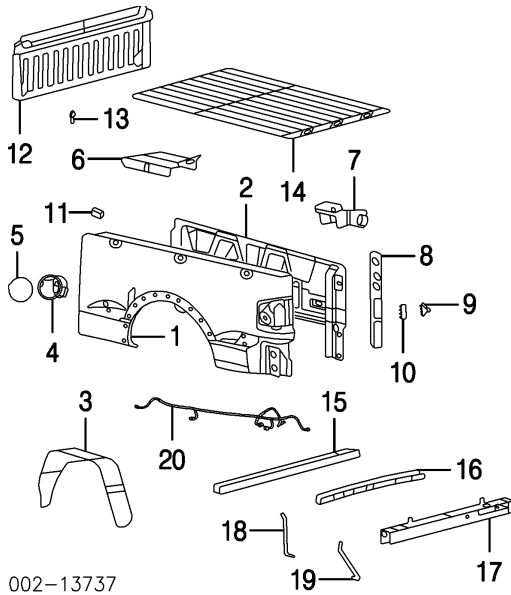
2004 Ford New Pickup XLT Pickup F150

		L	#.4	6L3Z 99286B24 A	\$42.68
	2007	R	#.4	6L3Z 99286B24 A	\$42.68
		L	#.4	6L3Z 99286B24 A	\$42.68
	2008	R	#.4	7A2Z 99286B24 A	\$48.70
		L	#.4	7A2Z 99286B24 A	\$48.70
#R&R Complete					
29	Cap, End (3/Side)		R	1L5Z 99286B25 AA	\$6.07
			L	1L5Z 99286B25 AA	\$6.07
30	Pin, Mounting	04-0	R	1L3Z 84286B26 AA	\$69.93
			L	1L3Z 84286B26 AA	\$69.93
		07-0	R	7A2Z 99286B26 A	\$12.74
			L	7A2Z 99286B26 A	\$12.74
31	Bushing, Mtg (2/Side)		R	YL3Z 84286A54 AA	\$6.75
			L	YL3Z 84286A54 AA	\$6.75
32	Harness, Rear Wiring (a)				
	126" WB		04	4L3Z 14405 AA	\$243.78
			05-06	5L3Z 14405 GA	\$136.72
			07	7L3Z 14405 GA	\$133.55
			08	8L3Z 14405 GA	\$146.65
	133" WB		04	4L3Z 14405 BA	\$244.85
			05-06	5L3Z 14405 HA	\$130.37
			07	7L3Z 14405 HA	\$137.80
			08	8L3Z 14405 HA	\$159.38
	139" WB		04	4L3Z 14405 CA	\$260.00
			05-06	5L3Z 14405 JA	\$136.72
			07	7L3Z 14405 JA	\$144.15
			08	8L3Z 14405 JA	\$165.20
	145" WB		04	4L3Z 14405 DA	\$268.18
			05-06	5L3Z 14405 LA	\$139.90
			07	7L3Z 14405 AAA	\$138.85
			08	8L3Z 14405 LA	\$149.98
	150" WB		06	6L3Z 14405 PB	\$125.98
			07	7L3Z 14405 AFA	\$123.02
			08	8L3Z 14405 ABA	\$164.77
	163" WB		04	4L3Z 14405 EA	\$281.97
			05-06	5L3Z 14405 MA	\$128.98
			07	7L3Z 14405 MA	\$160.05
			08	8L3Z 14405 MA	\$178.35

(a) Order by Application

**SHEET METAL
FLARESIDE**

2004 Ford New Pickup XLT Pickup F150



002-13737

Refinish Bed Assy Complete (Includes Tailgate)

#12.0

#Includes Refinish Floor & Insides

Add for 2 Tone (Includes Tailgate)		1.3
Refinish Outside Panel	R	3.6
	L	3.6
Refinish Inside Panel	R	1.5
	L	1.5
Refinish Floor Pan		3.6
Refinish Rear Crossmember		1.0
Refinish Front Panel Complete		2.3
Refinish Inside		1.2
Refinish Fuel Door	L	#.5
#Included in Refinish Left Outside Panel		
Add for Inside	L	.2
R&I Bed Assy		2.5
Apply Spray-On Bed Liner		
Apply Spray-On Bed Liner Bed Inside Complete		4.0

2004 Ford New Pickup XLT Pickup F150

Apply Spray-On Bed Liner Bed Side Inner Panel	R	3.0			
	L	3.0			
Apply Spray-On Bed Liner Bed Side Outer Panel Cap	R	.3			
	L	.3			
Apply Spray-On Bed Liner Front Bed Panel		.7			
Apply Spray-On Bed Liner Bed Floor		2.0			
Apply Spray-On Bed Liner Rear Floor Sill		.5			
Apply Spray-On Bed Liner Tailgate Inside		.7			
Bed, Complete (a)					
w/Wheel Opening Mldgs	04-0	5.8	4L3Z 8328508 BA	\$3,683.32	
	07-0	5.8	7L3Z 8328508 B	\$3,683.32	
w/o Wheel Opening Mldgs	04-0	5.2	4L3Z 8328508 AA	\$3,683.32	
	07-0	5.2	7L3Z 8328508 A	\$3,683.32	
(a) Includes Tailgate					
1 Panel, Outer Side					
w/Wheel Opening Mldgs	R	#6.3	4L3Z 8327840 EA	\$717.82	
	L	#6.8	4L3Z 8327841 EA	\$711.65	
#Includes R&I Bed Assy & R&R Wheel Opening Mldg					
w/o Wheel Opening Mldgs	R	#6.0	4L3Z 8327840 FA	\$722.70	
	L	#6.5	4L3Z 8327841 FA	\$692.22	
#Includes R&I Bed Assy					
2 Panel, Inner Side	R	4.5	9L3Z 8327864 A	\$532.13	
	L	4.5	9L3Z 8327865 A	\$532.13	
3 Panel, Wheelhouse	R	#1.5	4L3Z 8328370 AA	\$48.00	
	L	#1.5	4L3Z 8328371 AA	\$48.00	
#Included in R&R Inner Panel					
4 Housing, Fuel Filler	L		4L3Z 9927936 BA	\$31.82	
5 Door, Fuel	L	.3	4L3Z 83405A26 BAA	\$40.87	
6 Brkt, Front Panel Supt	R		F37Z 83200L52 A	\$176.32	
	L		F37Z 83200L53 A	\$49.72	
7 Brkt, Rear Panel Supt	R		4L3Z 83200L52 AA	\$93.40	
	L		4L3Z 83200L53 AA	\$58.63	
8 Pillar, Inner Rear	R	#3.0	4L3Z 8341032 AA	\$74.57	
	L	#3.0	4L3Z 8341033 AA	\$70.13	

2004 Ford New Pickup XLT Pickup F150

#w/Outer Panel Removed Deduct 1.5

9 Guide, Roller	R	4L3Z 83430B39 AA	\$8.00
	L	4L3Z 83430B39 AA	\$8.00
10 Plate, Roller	R	F65Z 8343488 AC	\$8.40
	L	F65Z 8343488 AC	\$8.40
11 Hook, Tie-Down (3/Side)	R	7A2Z 8300064 AA	\$27.17
	L	7A2Z 8300064 AA	\$27.17
12 Panel, Front	#5.0	4L3Z 8300124 AA	\$220.00
#w/Bed Assy Removed			
13 Plug, Panel	R	4L3Z 99277B76 AA	\$6.18
	L	4L3Z 99277B76 AA	\$6.18
14 Pan, Floor	#14.0	9L3Z 9911215 B	\$523.40

#w/Bed Assy Removed, Deduct 2.0 w/Each Inner Panel Removed, Deduct 1.0 w/Front Panel Removed

Bolt, Bed Attaching (3/Side) (e)	R	* W709424 S901	\$14.50
	L	* W709424 S901	\$14.50
Clip, Attaching (e)			
Front/Center, (2/Side)	R	* W708605 S436	\$5.75
	L	* W708605 S436	\$5.75
Rear	R	* W712174 S436	\$4.00
	L	* W712174 S436	\$4.00
(e) Non-Reusable Part			
15 Crossmember, Front	#2.5	4L3Z 8310610 AA	\$150.88
16 Crossmember, Center-Serviced w/Floor Pan			
17 Crossmember, Rear	#7.0	9L3Z 8310608 A	\$288.10
#w/Bed Assy Removed			
18 Brace, Front Wheelhouse	R	4L3Z 8328260 AA	\$14.70
	L	4L3Z 8328261 AA	\$14.43
19 Brace, Rear Wheelhouse	R	4L3Z 8327726 AA	\$14.27
	L	4L3Z 8327727 AA	\$14.52
20 Harness, Rear Wiring			
126" WB	04	4L3Z 14405 AA	\$243.78
	05-06	5L3Z 14405 GA	\$136.72
	07	7L3Z 14405 GA	\$133.55
	08	8L3Z 14405 GA	\$146.65
145" WB	04	4L3Z 14405 DA	\$268.18
	05-06	5L3Z 14405 LA	\$139.90
	07	7L3Z 14405 LA	\$137.78
	08	8L3Z 14405 LA	\$149.98
150" WB	06	6L3Z 14405 PB	\$125.98
	07	7L3Z 14405 ADA	\$131.97

2004 Ford New Pickup XLT Pickup F150

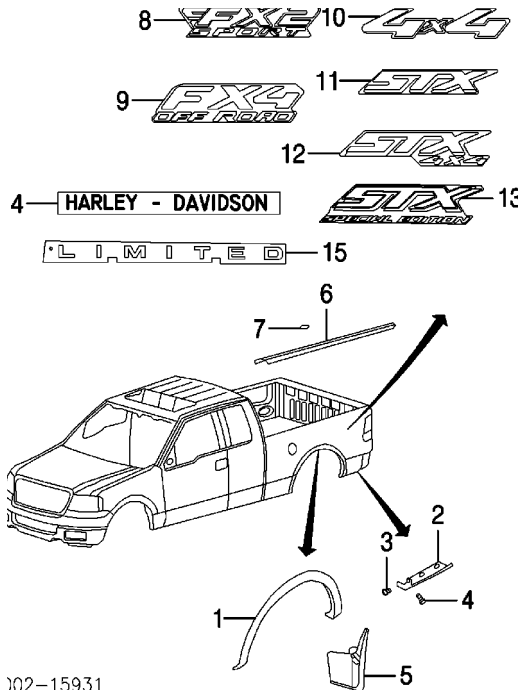
08

8L3Z 14405 ABA \$164.77

Order by Application

EXTERIOR TRIM

STYLESIDE



102-15931

Refinish Tonneau Cover

6 Foot Bed	3.0
7 Foot Bed	3.4
8 Foot Bed	3.8

Refinish Wheel Opening Moulding

R	1.0
L	1.0

R&I Wheel Opening Moulding

R	.3
L	.3

R&I Mudguard

R	.2
L	.2

R&I Bed Rail Moulding

R	.4
L	.4

R&R Mudguard

R	.2
L	.2

1 Moulding, Wheel Opening

FX4 Model	R	.3	4L3Z 9929164 BAA	\$104.47
	L	.3	4L3Z 9929165 BAA	\$104.47
Lariat Model (P)	R	.3	4L3Z 9929164	\$153.40
	L	.3	4L3Z 9929165	\$153.40

2004 Ford New Pickup XLT Pickup F150

King Ranch Model (P)	05-0	R	.3	4L3Z 9929164	\$153.40
		L	.3	4L3Z 9929165	\$153.40
(P) Paint to Match					
2 Shield, Stone					
Arizona Beige	04-0	R	.2	4L3Z 99292A22 AAA	\$11.82
		L	.2	4L3Z 99292A23 AAA	\$11.82
Black					
	2004	R	.2	4L3Z 99292A22 AAB	\$11.82
		L	.2	4L3Z 99292A23 AAB	\$11.82
	2005				
To 11-29-04		R	.2	4L3Z 99292A22 AAB	\$11.82
		L	.2	4L3Z 99292A23 AAB	\$11.82
From 11-30-04		R	.2	5L3Z 99292A22 AAA	\$15.08
		L	.2	5L3Z 99292A23 AAA	\$15.08
2006-08		R	.2	5L3Z 99292A22 AAA	\$15.08
		L	.2	5L3Z 99292A23 AAA	\$15.08
Pueblo Gold	07-0	R	.2	7L3Z 99292A22 AA	\$13.23
		L	.2	7L3Z 99292A23 AA	\$13.23
Clip, Shield					
3 Type 1, (4/Side)		R		* W709837 S300	\$1.88
		L		* W709837 S300	\$1.88
4 Type 2 (a)		R		* W709346 S300	\$1.50
		L		* W709346 S300	\$1.50
(a) As Required					
Mudguard Set, Vehicle-See Front Fender Section¶					
¶Set of 4					
5 Mudguard Set, Rear (b)					
Flat		#		E7TZ 16A550 A	\$27.13
Moulded					
w/Wheel Opening Mldgs		#		5L3Z 16A550 AAA	\$45.36
w/o Wheel Opening Mldgs		#		5L3Z 16A550 BAA	\$45.36
(b) Set of 2					
#See Headnotes for Labor Time					
6 Moulding, Bed Rail					
	2004				
6 Foot Bed		R	.4	4L3Z 84291A40 AAA	\$60.83
		L	.4	4L3Z 84291A41 AAA	\$60.83
7 Foot Bed		R	.4	4L3Z 99291A40 BAA	\$65.97
		L	.4	4L3Z 99291A41 BAA	\$65.97
8 Foot Bed		R	.4	4L3Z 99291A40 AAA	\$82.57
		L	.4	4L3Z 99291A41 AAA	\$86.12
	2005				

2004 Ford New Pickup XLT Pickup F150

Beige			
6 Foot Bed	R	.4 4L3Z 84291A40 AAB	\$61.25
	L	.4 4L3Z 84291A41 AAB	\$61.25
Black			
To 11-29-04			
6 Foot Bed	R	.4 4L3Z 84291A40 AAA	\$60.83
	L	.4 4L3Z 84291A41 AAA	\$60.83
7 Foot Bed	R	.4 4L3Z 99291A40 BAA	\$65.97
	L	.4 4L3Z 99291A41 BAA	\$65.97
8 Foot Bed	R	.4 4L3Z 99291A40 AAA	\$82.57
	L	.4 4L3Z 99291A41 AAA	\$86.12
From 11-30-04			
6 Foot Bed	R	.4 5L3Z 84291A40 AAA	\$66.60
	L	.4 5L3Z 84291A41 AAA	\$66.60
7 Foot Bed	R	.4 5L3Z 99291A40 BAA	\$74.87
	L	.4 5L3Z 99291A41 BAA	\$80.48
8 Foot Bed	R	.4 5L3Z 99291A40 AAA	\$93.68
	L	.4 5L3Z 99291A41 AAA	\$93.68

2006

Beige			
6 Foot Bed	R	.4 4L3Z 84291A40 AAB	\$61.25
	L	.4 4L3Z 84291A41 AAB	\$61.25
7 Foot Bed	R	.4 6L3Z 99291A40 BAB	\$97.92
	L	.4 6L3Z 99291A41 BAB	\$81.60
Black			
6 Foot Bed	R	.4 5L3Z 84291A40 AAA	\$66.60
	L	.4 5L3Z 84291A41 AAA	\$66.60
7 Foot Bed	R	.4 5L3Z 99291A40 BAA	\$74.87
	L	.4 5L3Z 99291A41 BAA	\$80.48
8 Foot Bed	R	.4 5L3Z 99291A40 AAA	\$93.68
	L	.4 5L3Z 99291A41 AAA	\$93.68
2007-08			
Black			
6 Foot Bed	R	.4 5L3Z 84291A40 AAA	\$66.60
	L	.4 5L3Z 84291A41 AAA	\$66.60
7 Foot Bed	R	.4 5L3Z 99291A40 BAA	\$74.87
	L	.4 5L3Z 99291A41 BAA	\$80.48
8 Foot Bed	R	.4 5L3Z 99291A40 AAA	\$93.68
	L	.4 5L3Z 99291A41 AAA	\$93.68
Pueblo Gold			
6 Foot Bed	R	.4 7L3Z 84291A40 AA	\$63.40
	L	.4 7L3Z 84291A41 AA	\$63.62
7 Foot Bed	R	.4 7L3Z 99291A40 BA	\$75.83
	L	.4 7L3Z 99291A41 BA	\$63.20

7 Plug, Moulding

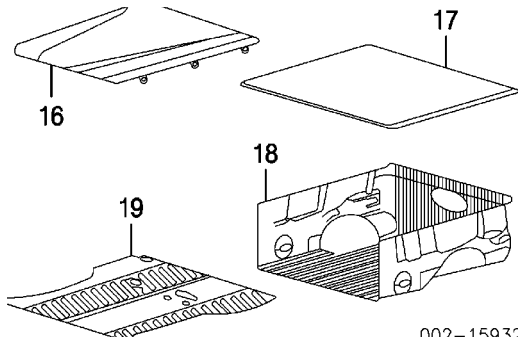
2004

2004 Ford New Pickup XLT Pickup F150

7 Foot Bed, (2/Side)		R		4L3Z 99290D90 AAA	\$5.48
		L		4L3Z 99290D90 AAA	\$5.48
8 Foot Bed, (3/Side)		R		4L3Z 99290D90 AAA	\$5.48
		L		4L3Z 99290D90 AAA	\$5.48
	2005				
To 11-29-04					
7 Foot Bed, (2/Side)		R		4L3Z 99290D90 AAA	\$5.48
		L		4L3Z 99290D90 AAA	\$5.48
8 Foot Bed, (3/Side)		R		4L3Z 99290D90 AAA	\$5.48
		L		4L3Z 99290D90 AAA	\$5.48
From 11-30-04					
7 Foot Bed, (2/Side)		R		5L3Z 99290D90 AAA	\$7.00
		L		5L3Z 99290D90 AAA	\$7.00
8 Foot Bed, (3/Side)		R		5L3Z 99290D90 AAA	\$7.00
		L		5L3Z 99290D90 AAA	\$7.00
	2006				
7 Foot Bed, (2/Side)					
Beige		R		6L3Z 99290D90 AA	\$8.03
		L		6L3Z 99290D90 AA	\$8.03
Black		R		5L3Z 99290D90 AAA	\$7.00
		L		5L3Z 99290D90 AAA	\$7.00
8 Foot Bed, (3/Side)		R		5L3Z 99290D90 AAA	\$7.00
		L		5L3Z 99290D90 AAA	\$7.00
2007-08					
7 Foot Bed, (2/Side)					
Black		R		5L3Z 99290D90 AAA	\$7.00
		L		5L3Z 99290D90 AAA	\$7.00
Pueblo Gold		R		7L3Z 99290D90 AA	\$9.63
		L		7L3Z 99290D90 AA	\$9.63
8 Foot Bed, (3/Side)		R		5L3Z 99290D90 AAA	\$7.00
		L		5L3Z 99290D90 AAA	\$7.00
Decal, Bed Side					
8 "FX2 SPORT"	07-0	R	.2	7L3Z 9925622 AA	\$51.83
		L	.2	7L3Z 9925622 AA	\$51.83
9 "FX4 OFF ROAD"		R	.2	4L3Z 9925622 AAA	\$43.70
		L	.2	4L3Z 9925622 AAA	\$43.70
10 "4X4"					
w/60th Anniversary	08	R	.2	8L3Z 9925622 AA	\$71.83
		L	.2	8L3Z 9925622 AA	\$71.83
w/o 60th Anniversary					
Argent		R	.2	4L3Z 9925622 EAC	\$43.22
		L	.2	4L3Z 9925622 EAC	\$43.22
Arizona Beige	04-0	R	.2	4L3Z 9925622 EAA	\$43.22
		L	.2	4L3Z 9925622 EAA	\$43.22
Pueblo Gold	07-0	R	.2	7L3Z 9925622 EA	\$23.95
		L	.2	7L3Z 9925622 EA	\$23.95

2004 Ford New Pickup XLT Pickup F150

	Shadow Gray	R	.2	4L3Z 9925622 EAB	\$43.22
		L	.2	4L3Z 9925622 EAB	\$43.22
11	"STX"	R	.2	4L3Z 9925622 CAA	\$40.87
		L	.2	4L3Z 9925622 CAA	\$40.87
12	"STX 4X4"	R	.2	4L3Z 9925622 DAA	\$42.62
		L	.2	4L3Z 9925622 DAA	\$42.62
13	"STX SPECIAL EDITION"	07-0 R	.2	7L3Z 9925622 BA	\$52.63
		L	.2	7L3Z 9925622 BA	\$52.63
14	"HARLEY-DAVIDSON"	07-0 R	.6	7L3Z 8442528 A	\$66.07
		L	.6	7L3Z 8442528 A	\$66.07
15	"LIMITED"	08 R	.6	8L3Z 8442528 A	\$69.35
		L	.6	8L3Z 8442528 A	\$69.35



16 Cover Kit, Hard Tonneau

Dealer Installed

6 Foot Bed

Amethyst, (Code PG)

V4L3Z 99501A42 \$1,347.99

Arizona Beige, (Code AQ)

V4L3Z 99501A42
JAA \$1,347.99

Black, (Code UA)

V4L3Z 99501A42 \$1,389.00

Blue Pearl, (Code DX)

V4L3Z 99501A42 \$1,389.00

Charcoal Beige, (Code T7)

V4L3Z 99501A42
JAK \$1,389.00

Copper, (Code T5)

V4L3Z 99501A42 JAJ \$1,347.99

Forest Green, (Code GG)

V4L3Z 99501A42
JAR \$1,389.00

Oxford White, (Code YZ)

V4L3Z 99501A42
JAG \$1,389.00

Pueblo Gold, (Code G3)

V4L3Z 99501A42 \$1,389.00

Red Fire, (Code G2)

V4L3Z 99501A42 \$1,389.00

Shadow Gray, (Code CX)

V4L3Z 99501A42
JAE \$1,389.00

Silver, (Code YN)

V4L3Z 99501A42 \$1,389.00

Toreador Red, (Code JL)

V4L3Z 99501A42 JAJ
\$1,347.99

True Blue, (Code L2)

V4L3Z 99501A42 \$1,347.99

Vermillion, (Code E4)

V4L3Z 99501A42 \$1,389.00

2004 Ford New Pickup XLT Pickup F150

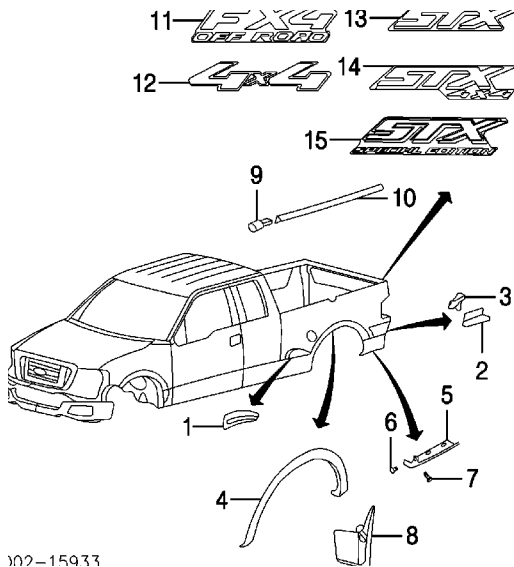
White Chocolate, (Code PV)	V4L3Z 99501A42 JAT	\$1,549.00
Paint to Match	V4L3Z 99501A42 ...	\$1,275.00
7 Foot Bed		
Arizona Beige, (Code AQ) (c)	V4L3Z 99501A42 GAA	\$1,347.99
Black, (Code UA)	V4L3Z 99501A42	\$1,389.00
Blue Pearl, (Code DX)	V4L3Z 99501A42	\$1,389.00
Charcoal Beige, (Code T7)	V4L3Z 99501A42 GAK	\$1,389.00
Forest Green, (Code GG)	V4L3Z 99501A42 GAQ	\$1,389.00
Oxford White, (Code YZ)	V4L3Z 99501A42 GAG	\$1,389.00
Pueblo Gold, (Code G3)	V4L3Z 99501A42	\$1,389.00
Red Fire, (Code G2)	V4L3Z 99501A42	\$1,389.00
Screaming Yellow, (Code D6)	V4L3Z 99501A42 GAL	\$1,347.99
Shadow Gray, (Code CX)	V4L3Z 99501A42 GAE	\$1,389.00
Silver, (Code YN)	V4L3Z 99501A42	\$1,389.00
Toreador Red, (Code JL)	V4L3Z 99501A42 GAJ	\$1,347.99
True Blue, (Code L2)	V4L3Z 99501A42	\$1,347.99
Vermillion, (Code E4)	V4L3Z 99501A42	\$1,389.00
White Chocolate, (Code PV)	V4L3Z 99501A42 GAR	\$1,549.00
Paint to Match	V4L3Z 99501A42 ...	\$1,275.00
8 Foot Bed		
Arizona Beige, (Code AQ)	V4L3Z 99501A42 HAA	\$1,347.99
Black, (Code UA)	V4L3Z 99501A42	\$1,389.00
Blue Pearl, (Code DX)	V4L3Z 99501A42	\$1,389.00
Charcoal Beige, (Code T7)	V4L3Z 99501A42 HAK	\$1,347.99
Forest Green, (Code GG)	V4L3Z 99501A42 HAQ	\$1,389.00
Oxford White, (Code YZ)	V4L3Z 99501A42 HAG	\$1,389.00
Pueblo Gold, (Code G3)	V4L3Z 99501A42	\$1,389.00
Red Fire, (Code G2)	V4L3Z 99501A42	\$1,389.00
Screaming Yellow, (Code D6)	V4L3Z 99501A42 HAL	\$1,347.99
Shadow Gray, (Code CX)	V4L3Z 99501A42 HAE	\$1,389.00
Silver, (Code YN)	V4L3Z 99501A42	\$1,389.00

2004 Ford New Pickup XLT Pickup F150

Toreador Red, (Code JL)	V4L3Z 99501A42 HAJ	\$1,347.99
True Blue, (Code L2)	V4L3Z 99501A42	\$1,347.99
Vermillion, (Code E4)	V4L3Z 99501A42	\$1,389.00
Paint to Match	V4L3Z 99501A42	\$1,275.00
(c) Order by Application		
17 Cover Kit, Soft Tonneau		
Dealer Installed		
6 Foot Bed		
Snap Type	4L3Z 99501A42 AA	\$298.57
Snapless Type	4L3Z 99501A42 DB	\$355.71
Velcro Type	5L3Z 84501A42 A	\$607.14
7 Foot Bed		
Snap Type	4L3Z 99501A42 BA	\$298.57
Snapless Type	4L3Z 99501A42 EB	\$355.71
Velcro Type	5L3Z 99501A42 A	\$607.14
8 Foot Bed		
Snap Type	4L3Z 99501A42 CA	\$298.57
Snapless Type	4L3Z 99501A42 FB	\$355.71
Velcro Type	5L3Z 99501A42 B	\$607.14
18 Liner, Bed		
Dealer Installed		
Carpet Covered		
6 Foot Bed	.3 4L3Z 8400038 AAA	\$425.00
7 Foot Bed	.3 4L3Z 9900038 HAA	\$425.00
8 Foot Bed	.3 4L3Z 9900038 JAA	\$425.00
Ford Logo		
6 Foot Bed	.3 9L3Z 8400038 AA	\$242.86
7 Foot Bed	.3 9L3Z 9900038 BA	\$242.86
8 Foot Bed	.3 9L3Z 9900038 CA	\$242.86
19 Mat, Bed		
Dealer Installed		
6 Foot Bed	4L3Z 99112A15 AA	\$107.14
7 Foot Bed	4L3Z 99112A15 BA	\$107.14
8 Foot Bed	4L3Z 99112A15 CA	\$142.86

EXTERIOR TRIM
FLARESIDE

2004 Ford New Pickup XLT Pickup F150



102-15933

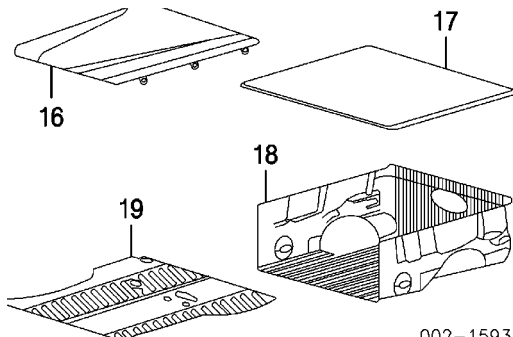
Refinish Tonneau Cover					3.0
R&I Wheel Opening Moulding		R			.3
		L			.3
R&I Mudguard		R			.2
		L			.2
R&I Front Bed Rail Moulding		R			.1
		L			.1
R&I Rear Bed Rail Moulding		R			.3
		L			.3
R&R Mudguard		R			.2
		L			.2
1 Mat, Front Side Step					
	2004	R	.2	4L3Z 8320012 AAA	\$17.02
		L	.2	4L3Z 8320013 AAA	\$17.02
	2005				
	To 11-29-04	R	.2	4L3Z 8320012 AAA	\$17.02
		L	.2	4L3Z 8320013 AAA	\$17.02
	From 11-30-04	R	.2	5L3Z 8320012 AAA	\$18.92
		L	.2	5L3Z 8320013 AAA	\$18.92
	2006-08	R	.2	5L3Z 8320012 AAA	\$18.92
		L	.2	5L3Z 8320013 AAA	\$18.92
2 Mat, Rear Side Step					
	2004	R	.2	4L3Z 8320012 BAA	\$14.78
		L	.2	4L3Z 8320013 BAA	\$17.98
	2005				
	To 11-29-04	R	.2	4L3Z 8320012 BAA	\$14.78
		L	.2	4L3Z 8320013 BAA	\$17.98
	From 11-30-04	R	.2	5L3Z 8320012 BAA	\$20.13

2004 Ford New Pickup XLT Pickup F150

		L	.2	5L3Z 8320013 BAA	\$20.13
2006-08		R	.2	5L3Z 8320012 BAA	\$20.13
		L	.2	5L3Z 8320013 BAA	\$20.13
3 Shield, Upper					
	2004	R		4L3Z 83280A02 BAA	\$19.20
		L		4L3Z 83280A03 BAA	\$19.20
	2005				
To 11-29-04		R		4L3Z 83280A02 BAA	\$19.20
		L		4L3Z 83280A03 BAA	\$19.20
From 11-30-04		R		5L3Z 83280A02 BAA	\$19.80
		L		5L3Z 83280A03 BAA	\$19.48
2006-08		R		5L3Z 83280A02 BAA	\$19.80
		L		5L3Z 83280A03 BAA	\$19.48
4 Moulding, Wheel Opening					
FX4 Model		R	.3	4L3Z 8329164 BAA	\$121.58
		L	.3	4L3Z 8329165 BAA	\$121.58
5 Shield, Stone					
	2004	R	.2	4L3Z 83292A22 AAA	\$26.18
		L	.2	4L3Z 83292A23 AAA	\$20.50
	2005				
To 11-29-04		R	.2	4L3Z 83292A22 AAA	\$26.18
		L	.2	4L3Z 83292A23 AAA	\$20.50
From 11-30-04		R	.2	5L3Z 83292A22 AAA	\$18.63
		L	.2	5L3Z 83292A23 AAA	\$22.37
2006-08		R	.2	5L3Z 83292A22 AAA	\$18.63
		L	.2	5L3Z 83292A23 AAA	\$22.37
Clip, Shield¶					
6 Type 1		R		* W709837 S300	\$1.88
		L		* W709837 S300	\$1.88
7 Type 2 (a)		R		* W708888 SAB	\$2.25
		L		* W708888 SAB	\$2.25
¶As Required					
(a) Order by Application					
Mudguard Set, Vehicle (b)-See Front Fender Section					
(b) Set of 4					
8 Mudguard Set, Rear (c)					
Flat		#		E7TZ 16A550 A	\$27.13
(c) Set of 2					
#See Headnotes for Labor Time					
Moulding, Bed Rail					
9 Front					
	2004	R	.1	4L3Z 83291A40 BAA	\$21.60
		L	.1	4L3Z 83291A41 BAA	\$21.60

2004 Ford New Pickup XLT Pickup F150

		2005				
	To 11-29-04		R	.1	4L3Z 83291A40 BAA	\$21.60
			L	.1	4L3Z 83291A41 BAA	\$21.60
	From 11-30-04		R	.1	5L3Z 83291A40 BAA	\$22.02
			L	.1	5L3Z 83291A41 BAA	\$22.02
	2006-08		R	.1	5L3Z 83291A40 BAA	\$22.02
			L	.1	5L3Z 83291A41 BAA	\$22.02
10	Rear					
		2004	R	.3	4L3Z 83291A40 AAA	\$67.22
			L	.3	4L3Z 83291A41 AAA	\$67.22
		2005				
	To 11-29-04		R	.3	4L3Z 83291A40 AAA	\$67.22
			L	.3	4L3Z 83291A41 AAA	\$67.22
	From 11-30-04		R	.3	5L3Z 83291A40 AAA	\$81.00
			L	.3	5L3Z 83291A41 AAA	\$79.80
	2006-08		R	.3	5L3Z 83291A40 AAA	\$81.00
			L	.3	5L3Z 83291A41 AAA	\$79.80
	Decal, Bed Side					
11	"FX4 OFF ROAD"		R	.2	4L3Z 9925622 BAA	\$45.00
			L	.2	4L3Z 9925622 BAA	\$45.00
12	"4X4"					
	Argent		R	.2	4L3Z 9925622 EAC	\$43.22
			L	.2	4L3Z 9925622 EAC	\$43.22
	Arizona Beige	04-0	R	.2	4L3Z 9925622 EAA	\$43.22
			L	.2	4L3Z 9925622 EAA	\$43.22
	Pueblo Gold	07-0	R	.2	7L3Z 9925622 EA	\$23.95
			L	.2	7L3Z 9925622 EA	\$23.95
	Shadow Gray		R	.2	4L3Z 9925622 EAB	\$43.22
			L	.2	4L3Z 9925622 EAB	\$43.22
13	"STX"		R	.2	4L3Z 9925622 CAA	\$40.87
			L	.2	4L3Z 9925622 CAA	\$40.87
14	"STX 4X4"		R	.2	4L3Z 9925622 DAA	\$42.62
			L	.2	4L3Z 9925622 DAA	\$42.62
15	"STX SPECIAL EDITION"	07-0	R	.2	7L3Z 9925622 BA	\$52.63
			L	.2	7L3Z 9925622 BA	\$52.63



2004 Ford New Pickup XLT Pickup F150

16 Cover Kit, Hard Tonneau

Dealer Installed

Arizona Beige, (Code AQ)	V4L3Z 83501A42 CAA	\$1,347.99
Black, (Code UA)	V4L3Z 83501A42	\$1,389.00
Blue Pearl, (Code DX)	V4L3Z 83501A42	\$1,389.00
Charcoal Beige, (Code T7)	V4L3Z 83501A42 CAP	\$1,389.00
Forest Green, (Code GG)	V4L3Z 83501A42 CAQ	\$1,389.00
Oxford White, (Code YZ)	V4L3Z 83501A42	\$1,389.00
Pueblo Gold, (Code G3)	V4L3Z 83501A42	\$1,389.00
Red Fire, (Code G2)	V4L3Z 83501A42	\$1,389.00
Screaming Yellow, (Code D6)	V4L3Z 83501A42 CAK	\$1,347.99
Shadow Gray, (Code CX)	V4L3Z 83501A42 CAE	\$1,389.00
Silver, (Code YN)	V4L3Z 83501A42	\$1,389.00
Toreador Red, (Code JL)	V4L3Z 83501A42	\$1,347.99
True Blue, (Code L2)	V4L3Z 83501A42	\$1,347.99
Vermillion, (Code E4)	V4L3Z 83501A42	\$1,389.00
Paint to Match	V4L3Z 83501A42	\$1,275.00

17 Cover Kit, Soft Tonneau

Dealer Installed

Snap Type	4L3Z 83501A42 AA	\$298.57
Snapless Type	4L3Z 83501A42 BB	\$355.71

18 Liner, Bed

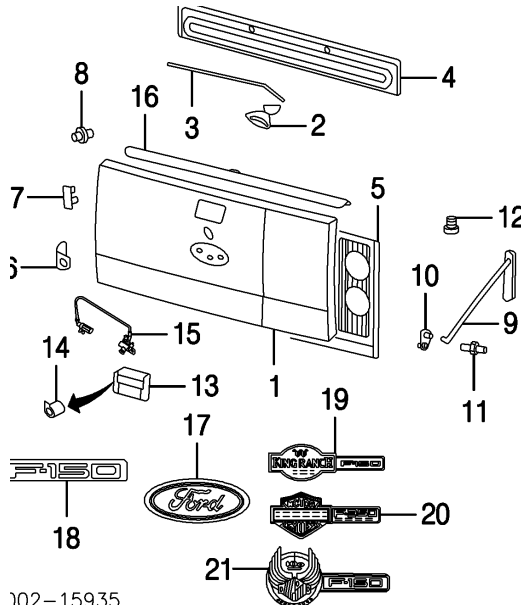
Dealer Installed (a)	.3 4L3Z 8300038 AB	\$242.86
(a) Order by Application		

19 Mat, Bed

Dealer Installed	4L3Z 99112A15 DA	\$107.14
------------------	------------------	----------

2004 Ford New Pickup XLT Pickup F150

TAILGATE



102-159,35

Refinish Tailgate Complete

Flaeside	#2.8
Refinish Outside	2.1
Refinish Inside	#1.3
Refinish Tailgate Complete Styleside	#3.0
Refinish Outside	2.3
Refinish Inside	#1.4

#Includes Refinish Tailgate Cover

Refinish Tailgate Cover	.5
Refinish Tailgate Handle	.5
R&I Tailgate	.2
R&I Tailgate Cover	.1
R&I Tailgate Moulding	.3

1 Tailgate			
Styleside	1.0	8L3Z 9940700 A	\$805.67
Flaeside	1.0	9L3Z 8340700 A	\$542.45
2 Latch, Tailgate	#.3	F75Z 9943170 AA	\$35.83

#w/Tailgate Cover Removed

3 Rod, Latch			
Styleside			
R		4L3Z 99431A78 AA	\$6.22
L		4L3Z 99431A78 AA	\$6.22
Flaeside			
R		4L3Z 83431A78 AA	\$6.63
L		4L3Z 83431A78 AA	\$6.63

2004 Ford New Pickup XLT Pickup F150

4 Cover, Tailgate				
Styleside			.2 YL3Z 9943121 AA	\$97.33
Flareside			.2 4L3Z 8343121 AA	\$38.67
5 Liner, Tailgate				
Dealer Installed				
Flareside			.2 4L3Z 83000A38 BA	\$61.17
Styleside			.2 9L3Z 99000A38 AA	\$61.96
6 Latch, Side	R	#.2	3L3Z 9943150 AA	\$31.67
	L	#.2	3L3Z 9943150 AA	\$31.67
#w/Tailgate Cover Removed				
7 Striker, Latch-See Pickup Bed Section				
8 Striker	04-0	R	.2 4L3Z 99404A42 AA	\$9.82
		L	.2 4L3Z 99404A42 AA	\$9.82
	08	R	.2 1L3Z 99404A42 AA	\$10.33
		L	.2 1L3Z 99404A42 AA	\$10.33
9 Cable, Tailgate				
Styleside	R	#.2	4L3Z 5443052 AA	\$22.30
	L	#.2	4L3Z 5443053 AA	\$22.30
Flareside	R	#.2	3L3Z 8343052 AA	\$33.42
	L	#.2	3L3Z 8343053 AA	\$33.72
#w/Tailgate Assy Removed Deduct .1				
10 Insert	R		E7TZ 99430B22 A	\$5.81
	L		F65Z 99430B23 AA	\$5.95
11 Bolt, Cable	R		* N805156 S301	\$9.50
	L		* N805156 S301	\$9.50
12 Bumper, Tailgate				
Styleside	R		F65Z 99439A00 BB	\$8.28
	L		F65Z 99439A00 BB	\$8.28
Flareside	R		YL3Z 83439A00 AA	\$9.98
	L		YL3Z 83439A00 AA	\$9.98
13 Handle, Tailgate				
2004-07				
Flat Black		#.2	8L3Z 9943400 AA	\$34.47
Black/Chrome	06-0	#.2	8L3Z 9943400 AB	\$45.45
Paint to Match	07	#.2	7L3Z 9943400	\$62.62
2008				
w/Rear View Camera				
Black		#.2	8L3Z 9943400 AC	\$93.27
Paint to Match		#.2	8L3Z 9943400	\$139.93
w/o Rear View Camera				
Flat Black		#.2	8L3Z 9943400 AA	\$34.47
Black/Chrome		#.2	8L3Z 9943400 AB	\$45.45

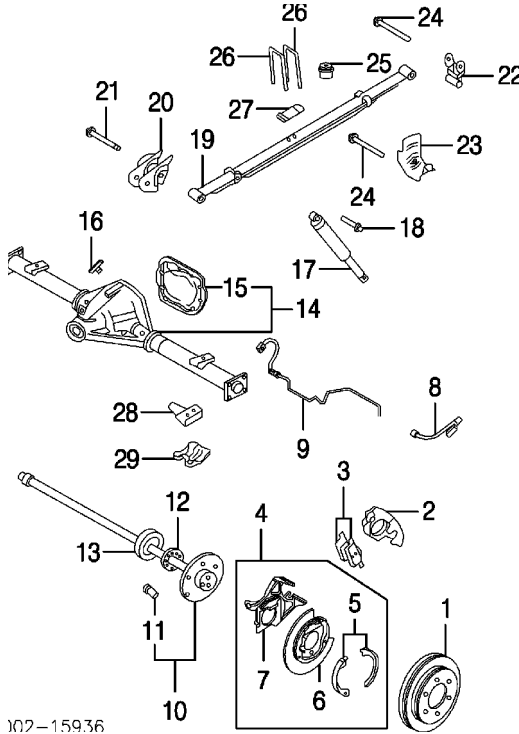
2004 Ford New Pickup XLT Pickup F150

Black, (Code UA)	#.2	8L3Z 9943400 DB	\$60.38
Dark Blue, (Code DX)	#.2	8L3Z 9943400 DD	\$72.62
Redfire, (Code G2)	#.2	8L3Z 9943400 DE	\$58.60
Shadow Gray, (Code CX)	#.2	8L3Z 9943400 DA	\$71.52
Oxford White, (Code YZ)	#.2	8L3Z 9943400 DF	\$71.52
Pueblo Gold, (Code G3)	#.2	8L3Z 9943400 DL	\$82.82
Silver, (Code YN)	#.2	8L3Z 9943400 DC	\$64.77
White Chocolate, (Code PV)	#.2	8L3Z 9943400 DG	\$69.87
Paint to Match	#.2	8L3Z 9943400	\$65.45
14 Cylinder, Lock	#.2	7C3Z 1521990 A	\$50.07
#R&R Complete, w/Tailgate Cover Removed			
15 Camera, Rear View	08	8L3Z 19G490 B	\$348.55
16 Moulding, Tailgate Styleside			
	2004	.3 4L3Z 9940602 AAA	\$53.33
	2005		
Black			
To 11-29-04		.3 4L3Z 9940602 AAA	\$53.33
From 11-30-04		.3 5L3Z 9940602 AAA	\$57.27
Arizona Beige		.3 4L3Z 9940602 AAB	\$46.52
	2006		
Black		.3 5L3Z 9940602 AAA	\$57.27
Arizona Beige		.3 4L3Z 9940602 AAB	\$46.52
2007-08			
Black		.3 5L3Z 9940602 AAA	\$57.27
Pueblo Gold		.3 7L3Z 9940602 AA	\$49.08
Flareside			
	2004	.3 4L3Z 8340602 AAA	\$41.17
	2005		
To 11-29-04		.3 4L3Z 8340602 AAA	\$41.17
From 11-30-04		.3 5L3Z 8340602 AAA	\$52.58
2006-08		.3 5L3Z 8340602 AAA	\$52.58
17 Emblem (Adhesive) Nameplate (Adhesive)		.2 4L3Z 1542528 AB	\$47.38
18 "F-150"		.2 4L3Z 16720 AA	\$20.15
19 "KING RANCH F-150"	05-0	.2 5L3Z 1842528 AA	\$51.82
"HARLEY-DAVIDSON F-150"			
20 2006-07		.4 6L3Z 8442528 AA	\$222.83
21	2008	.2 8L3Z 8442528 C	\$133.52

2004 Ford New Pickup XLT Pickup F150

REAR SUSPENSION

Procedure 23



107-15936

R&I Suspension/Axle Assy	2.5
Check Rear Alignment	.8
Add to Adjust Front Alignment	1.6
Bleed Brake System	.6

NOTE 1: R&I/R&R Does Not include alignment or bleed brake system.

1 Rotor, Brake				
Base Payload	R	#.6	9L3Z 2C026 A	\$116.63
	L	#.6	9L3Z 2C026 A	\$116.63
Heavy Payload	R	#.6	9L3Z 2C026 B	\$132.98
	L	#.6	9L3Z 2C026 B	\$132.98
#R&R Both 1.0				
2 Caliper, Brake	R	#.5	6L3Z 2552 AC	\$113.82
	L	#.5	6L3Z 2553 AC	\$113.82
#R&R Both .8				
3 Pad Kit, Brake	04-0	#1.0	6L3Z 2200 CD	\$107.67
	08	#1.0	8L3Z 2200 A	\$90.33

#Deduct .5 for Each Caliper Removed

2004 Ford New Pickup XLT Pickup F150

4 Adapter Assy, Caliper

	2004	R	#.5	7L3Z 2C220 AR	\$196.00
		L	#.5	5L3Z 2C220 BD	\$160.22
	2005				
To 8-8-05		R	#.5	7L3Z 2C220 AR	\$196.00
		L	#.5	5L3Z 2C220 BD	\$160.22
From 8-9-05		R	#.5	7L3Z 2C220 AR	\$196.00
		L	#.5	7L3Z 2C220 AL	\$196.00
2006-08		R	#.5	7L3Z 2C220 AR	\$196.00
		L	#.5	7L3Z 2C220 AL	\$196.00

#w/Axle Shaft Assy Removed

5 Shoe Kit, Brake¶			#.8	7L3Z 2648 A	\$121.50
#w/Rotor Removed					
6 Shield, Splash¶		R	#.3	4L3Z 2C028 AA	\$25.18
		L	#.3	4L3Z 2C029 AA	\$25.18
7 Bracket, Caliper¶		R	#.3	4L3Z 2B582 AA	\$182.00
		L	#.3	4L3Z 2B582 AB	\$182.00

¶Included w/Caliper Adapter Assy

#R&R One Side Complete, w/Axle Shaft Assy Removed

8 Hose, Brake			.3	6L3Z 2282 M	\$50.22
9 Tube, Brake					
Right					
8.8" Ring Gear, 9.75" Ring Gear		R	.3	6L3Z 2267 MR	\$67.98
10.25" Ring Gear					
2004-05		R	.3	5L3Z 2267 E	\$69.31
	2006				
To 12-5-05		R	.3	5L3Z 2267 E	\$69.31
From 12-6-05		R	.3	6L3Z 2267 N	\$55.47
2007-08		R	.3	6L3Z 2267 N	\$55.47
		L	.3	6L3Z 2268 ML	\$58.47
10 Shaft Assy, Axle					
8.8" Ring Gear	04-0	R	#1.9	7L3Z 4234 A	\$328.32
		L	#1.9	7L3Z 4234 C	\$298.00
	07-0	R	#1.9	7L3Z 4234 A	\$328.32
		L	#1.9	7L3Z 4234 C	\$298.00
9.75" Ring Gear	04-0	R	#1.9	7L3Z 4234 B	\$338.32
		L	#1.9	7L3Z 4234 D	\$348.32
	07-0	R	#1.9	7L3Z 4234 B	\$338.32
		L	#1.9	7L3Z 4234 D	\$348.32
10.25" Ring Gear		R	#1.9	6L3Z 4234 F	\$373.95

2004 Ford New Pickup XLT Pickup F150

	L	#1.9	6L3Z 4234 G	\$399.27
11 Stud, Lug (a) (b)	R		YL3Z 1107 AB	\$2.85
	L		YL3Z 1107 AB	\$2.85

(a) Included w/Axle Shaft Assy

(b) As Required

12 Seal, Axle	R	#1.9	5L3Z 1S177 AB	\$10.53
	L	#1.9	5L3Z 1S177 AB	\$10.53
13 Bearing, Axle	R	#1.9	5L3Z 1225 AA	\$67.53
	L	#1.9	5L3Z 1225 AA	\$67.53

#R&R One Side Complete, R&R Both Sides 3.0

14 Housing Assy, Axle				
8.8" Ring Gear				
2004-05		#8.0	4L3Z 4010 AA	\$1,012.97
	2006			
To 12-5-05		#8.0	4L3Z 4010 AA	\$1,012.97
From 12-6-05		#8.0	6L3Z 4010 A	\$941.77
2007-08		#8.0	7L3Z 4010 AD	\$952.38
9.75" Ring Gear				
2004-05		#8.0	4L3Z 4010 BA	\$1,078.15
	2006			
To 12-5-05		#8.0	4L3Z 4010 BA	\$1,078.15
From 12-6-05		#8.0	6L3Z 4010 B	\$1,008.32
2007-08		#8.0	8L3Z 4010 A	\$1,640.85
10.25" Ring Gear				
2004-05		#8.0	7C3Z 4630 A	\$106.00
	2006			
To 12-5-05		#8.0	7C3Z 4630 A	\$106.00
From 12-6-05		#8.0	6L3Z 4010 C	\$1,081.80
	2007			
To 12-4-06		#8.0	6L3Z 4010 C	\$1,081.80
From 12-5-06		#8.0	7L3Z 4010 D	\$1,431.82
	2008	#8.0	7L3Z 4010 D	\$1,431.82

#Includes R&R Brake Rotors, Axle Shafts & Axle Bearings

15 Cover, Rear Axle (c)				
8.8" Ring Gear		#.8	F4TZ 4033 A	\$30.43
9.75" Ring Gear		#.8	F75Z 4033 AA	\$49.03
10.25" Ring Gear		#.8	E5TZ 4033 A	\$52.42

(c) Included w/Axle Housing Assy

#Included in R&R Axle Shaft Assy

2004 Ford New Pickup XLT Pickup F150

16 Sensor, Rear ABS-See ABS/Brakes Section

17 Absorber, Shock (b)

2WD

Base Payload	R	#.5	5L3Z 18125 BA	\$66.02
	L	#.5	5L3Z 18125 BA	\$66.02
Heavy Payload	R	#.5	5L3Z 18125 CA	\$57.75
	L	#.5	5L3Z 18125 CA	\$57.75

4WD

Base Payload	R	#.5	5L3Z 18125 EA	\$57.52
	L	#.5	5L3Z 18125 EA	\$57.52
Heavy Payload	R	#.5	5L3Z 18125 DA	\$58.25
	L	#.5	5L3Z 18125 DA	\$58.25

(b) Order by Application

#R&R Both .8

18 Bolt, Shock Mtg (2/Side)	R		* W706196 S439	\$5.50
	L		* W706196 S439	\$5.50
19 Spring, Rear (b)	R	#1.4	4L3Z 5560 PC	\$257.00
	L	#1.4	4L3Z 5560 PC	\$257.00

(b) Order by Application

#R&R Both 2.6, w/Axle Housing Removed Deduct .8

20 Brkt, Front Spring

2004-05	R		6L3Z 5775 A	\$136.25
	L		4L3Z 5775 BA	\$110.00

2006

To 8-8-05	R		6L3Z 5775 A	\$136.25
	L		4L3Z 5775 BA	\$110.00
From 8-9-05	R		6L3Z 5775 A	\$136.25
	L		6L3Z 5775 B	\$141.06
2007-08	R		6L3Z 5775 A	\$136.25
	L		6L3Z 5775 B	\$141.06

21 Bolt, Front Mtg	R		* W709627 S439	\$11.00
	L		* W709627 S439	\$11.00
22 Shackle, Rear	R	#.6	4L3Z 5776 AA	\$26.00
	L	#.6	4L3Z 5776 AA	\$26.00

#w/Spring Removed Deduct .3

23 Bracket, Shackle (b)	R		6L3Z 5775 AD	\$124.50
	L		6L3Z 5775 AD	\$124.50

(b) Order by Application

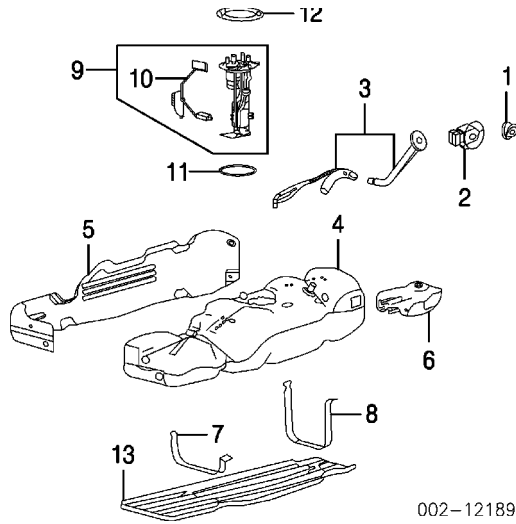
24 Bolt, Shackle (2/Side)	R		* W714299 S439	\$5.06
	L		* W714299 S439	\$5.06
25 Bumper, Rebound	R	.3	4L3Z 4730 AA	\$21.98

2004 Ford New Pickup XLT Pickup F150

	L	.3	4L3Z 4730 AA	\$21.98
26 U-Bolt, Spring (2/Side)				
Base Payload				
2WD				
2004-05	R	#.3	4L3Z 5705 FA	\$14.15
	L	#.3	4L3Z 5705 FA	\$14.15
2006				
To 8-8-05	R	#.3	4L3Z 5705 FA	\$14.15
	L	#.3	4L3Z 5705 FA	\$14.15
From 8-9-05				
17" Wheels, 18" Wheels	R	#.3	4L3Z 5705 FA	\$14.15
	L	#.3	4L3Z 5705 FA	\$14.15
20" Wheels, 22" Wheels	R	#.3	6L3Z 5705 K	\$16.37
	L	#.3	6L3Z 5705 K	\$16.37
2007-08				
17" Wheels, 18" Wheels	R	#.3	4L3Z 5705 FA	\$14.15
	L	#.3	4L3Z 5705 FA	\$14.15
20" Wheels, 22" Wheels	R	#.3	6L3Z 5705 K	\$16.37
	L	#.3	6L3Z 5705 K	\$16.37
4WD	R	#.3	4L3Z 5705 GA	\$15.58
	L	#.3	4L3Z 5705 GA	\$15.58
Heavy Payload				
2WD	R	#.3	4L3Z 5705 HA	\$16.42
	L	#.3	4L3Z 5705 HA	\$16.42
4WD	R	#.3	4L3Z 5705 JA	\$18.30
	L	#.3	4L3Z 5705 JA	\$18.30
#Included in R&R Spring				
27 Spacer, Upper	R		4L3Z 5708 CA	\$20.73
	L		4L3Z 5708 CA	\$20.73
28 Spacer, Lower				
2WD				
20" Wheels, 22" Wheels	06-0	R	6L3Z 5729 CA	\$45.20
		L	6L3Z 5729 CA	\$45.20
4WD		R	6L3Z 5729 A	\$43.08
		L	6L3Z 5729 A	\$43.08
29 Plate, U-Bolt				
Base Payload	R		7L3Z 5798 A	\$28.33
	L		7L3Z 5798 A	\$28.33
Heavy Payload	R		5L3Z 5798 EA	\$36.67
	L		5L3Z 5798 EA	\$36.67

2004 Ford New Pickup XLT Pickup F150

FUEL TANK



R&I Fuel Tank Assy

1.8

NOTE: R&I/R&R Does Not include drain and refill.

1 Cap, Fuel Filler			
Locking	04-06	7G1Z 9030 A	\$46.86
	07-08	8L3Z 9030 E	\$60.38
Non-Locking			
2004-06		6L3Z 9030 B	\$20.62
	2007		
To 12-4-06		6L3Z 9030 B	\$20.62
From 12-5-06		8L3Z 9030 D	\$29.28
	2008		
Unleaded Fuel		8L3Z 9030 D	\$29.28
Ethanol Fuel		8L3Z 9030 C	\$31.08
2 Housing, Fuel Filler-See Pickup Bed Section			
3 Neck, Fuel Filler			
Styleside			
2004-05		5L3Z 9034 A	\$219.91
	2006		
To 12-5-05		5L3Z 9034 A	\$219.91
From 12-6-05			
Unleaded Fuel		7L3Z 9034 C	\$190.72
Ethanol Fuel		7L3Z 9034 A	\$198.45
	2007		
Unleaded Fuel		7L3Z 9034 C	\$190.72
Ethanol Fuel		7L3Z 9034 A	\$198.45
	2008		

2004 Ford New Pickup XLT Pickup F150

Unleaded Fuel		7L3Z 9034 C	\$190.72
Ethanol Fuel			
To 10-22-07		7L3Z 9034 A	\$198.45
From 10-23-07		8L3Z 9034 F	\$155.98
Flareside			
	2004		
To 12-20-03		4L3Z 9034 CA	\$180.19
From 12-21-03		4L3Z 9034 CL	\$180.19
2005-06		4L3Z 9034 CL	\$180.19
2007-08		7L3Z 9034 D	\$190.81
4 Tank, Fuel			
2004-05			
126" WB, 133" WB		2.0 6L3Z 9002 J	\$1,040.40
139" WB		2.0 6L3Z 9002 K	\$1,146.25
w/Extended Range		2.0 6L3Z 9002 M	\$1,111.88
w/o Extended Range		2.0 6L3Z 9002 L	\$1,089.60
	2006		
To 8-8-05			
126" WB, 133" WB		2.0 6L3Z 9002 J	\$1,040.40
139" WB		2.0 6L3Z 9002 K	\$1,146.25
145" WB, 163" WB			
w/Extended Range		2.0 6L3Z 9002 M	\$1,111.88
w/o Extended Range		2.0 6L3Z 9002 L	\$1,089.60
From 8-8-05 to 12-5-05			
126" WB, 133" WB		2.0 6L3Z 9002 J	\$1,040.40
139" WB		2.0 6L3Z 9002 K	\$1,146.25
145" WB, 150" WB, 163" WB			
w/Extended Range		2.0 6L3Z 9002 M	\$1,111.88
w/o Extended Range		2.0 6L3Z 9002 L	\$1,089.60
From 12-6-05			
126" WB, 133" WB		2.0 6L3Z 9002 J	\$1,040.40
139" WB		2.0 6L3Z 9002 K	\$1,146.25
145" WB, 150" WB, 163" WB			
w/Extended Range		2.0 6L3Z 9002 M	\$1,111.88
w/o Extended Range		2.0 6L3Z 9002 L	\$1,089.60
	2007		
126" WB, 133" WB		2.0 6L3Z 9002 J	\$1,040.40
139" WB		2.0 6L3Z 9002 K	\$1,146.25
145" WB, 150" WB, 163" WB			
w/Extended Range			
To 2-26-07		2.0 6L3Z 9002 M	\$1,111.88
From 2-27-07		2.0 6L3Z 9002 M	\$1,111.88

2004 Ford New Pickup XLT Pickup F150

w/o Extended Range		2.0 6L3Z 9002 L	\$1,089.60
	2008		
126" WB, 133" WB		2.0 6L3Z 9002 J	\$1,040.40
139" WB		2.0 6L3Z 9002 K	\$1,146.25
145" WB, 150" WB, 163" WB			
w/Extended Range		2.0 6L3Z 9002 M	\$1,111.88
w/o Extended Range		2.0 6L3Z 9002 L	\$1,089.60
5 Shield, Side Heat¶		5L3Z 9A032 DA	\$144.68
6 Shield, Lower Heat			
2004-05¶		4L3Z 9A032 EA	\$52.98
	2006		
To 8-8-05¶		4L3Z 9A032 EA	\$52.98
From 8-9-05			
126" WB, 133" WB		4L3Z 9A032 EA	\$52.98
139" WB		4L3Z 9A032 FA	\$55.13
145" WB, 150" WB, 163" WB			
w/Extended Range		4L3Z 9A032 FA	\$55.13
w/o Extended Range		4L3Z 9A032 GA	\$52.45
2007-08¶			
126" WB, 133" WB		4L3Z 9A032 EA	\$52.98
139" WB		4L3Z 9A032 FA	\$55.13
145" WB, 150" WB, 163" WB			
w/Extended Range		4L3Z 9A032 FA	\$55.13
w/o Extended Range		4L3Z 9A032 GA	\$52.45
¶Order by Application			
7 Strap, Front Tank			
2004-05			
w/Skid Plate		5L3Z 9054 EA	\$43.09
w/o Skid Plate		5L3Z 9054 AA	\$27.00
	2006		
To 8-8-05			
w/Skid Plate		5L3Z 9054 EA	\$43.09
w/o Skid Plate		5L3Z 9054 AA	\$27.00
From 8-9-05		6L3Z 9054 EA	\$48.72
2007-08		6L3Z 9054 EA	\$48.72
8 Strap, Rear Tank			
2004-05			
w/Skid Plate		5L3Z 9054 FA	\$48.19
w/o Skid Plate		5L3Z 9054 CA	\$29.47
	2006		
To 8-8-05			
w/Skid Plate		5L3Z 9054 FA	\$48.19
w/o Skid Plate		5L3Z 9054 CA	\$29.47

2004 Ford New Pickup XLT Pickup F150

From 8-9-05		6L3Z 9054 FA	\$48.94
2007-08		6L3Z 9054 FA	\$48.94
9 Pump Assy, Fuel			
	2004		
126" WB, 133" WB	#1.8	4L3Z 9H307 AF	\$320.02
139" WB	#1.8	4L3Z 9H307 BF	\$376.23
145" WB, 163" WB			
w/Extended Range Tank	#1.8	4L3Z 9H307 DF	\$319.55
w/o Extended Range Tank	#1.8	4L3Z 9H307 CF	\$320.42
	2005		
126" WB, 133" WB	#1.8	8L3Z 9H307 A	\$328.88
139" WB	#1.8	8L3Z 9H307 B	\$328.85
145" WB, 163" WB			
w/Extended Range Tank	#1.8	8L3Z 9H307 D	\$385.32
w/o Extended Range Tank	#1.8	8L3Z 9H307 C	\$330.95
	2006-07		
Unleaded Fuel			
126" WB, 133" WB	#1.8	8L3Z 9H307 A	\$328.88
139" WB	#1.8	8L3Z 9H307 B	\$328.85
145" WB, 150" WB, 163" WB			
w/Extended Range Tank	#1.8	8L3Z 9H307 D	\$385.32
w/o Extended Range Tank	#1.8	8L3Z 9H307 C	\$330.95
Ethanol Fuel			
126" WB, 133" WB	#1.8	7L3Z 9H307 E	\$184.54
139" WB	#1.8	8L3Z 9H307 F	\$412.32
145" WB, 150" WB, 163" WB			
w/Extended Range Tank	#1.8	8L3Z 9H307 H	\$463.18
w/o Extended Range Tank	#1.8	8L3Z 9H307 G	\$513.83
	2008		
To 12-3-07			
Unleaded Fuel			
126" WB, 133" WB	#1.8	8L3Z 9H307 A	\$328.88
139" WB	#1.8	8L3Z 9H307 B	\$328.85
145" WB, 150" WB, 163" WB			

2004 Ford New Pickup XLT Pickup F150

w/Extended Range Tank	#1.8	8L3Z 9H307 D	\$385.32
w/o Extended Range Tank	#1.8	8L3Z 9H307 C	\$330.95
Ethanol Fuel			
126" WB, 133" WB	#1.8	7L3Z 9H307 E	\$184.54
139" WB	#1.8	8L3Z 9H307 F	\$412.32
145" WB, 150" WB, 163" WB			
w/Extended Range Tank	#1.8	8L3Z 9H307 H	\$463.18
w/o Extended Range Tank	#1.8	8L3Z 9H307 G	\$513.83

From 12-4-07

Unleaded Fuel

126" WB, 133" WB	#1.8	8L3Z 9H307 A	\$328.88
139" WB	#1.8	8L3Z 9H307 B	\$328.85
145" WB, 150" WB, 163" WB			
w/Extended Range Tank	#1.8	8L3Z 9H307 D	\$385.32
w/o Extended Range Tank	#1.8	8L3Z 9H307 C	\$330.95
Ethanol Fuel			
126" WB, 133" WB	#1.8	8L3Z 9H307 E	\$403.85
139" WB	#1.8	8L3Z 9H307 F	\$412.32
145" WB, 150" WB, 163" WB			
w/Extended Range Tank	#1.8	8L3Z 9H307 H	\$463.18
w/o Extended Range Tank	#1.8	8L3Z 9H307 G	\$513.83

10 Sender, Fuel (a)

2004-05

126" WB, 133" WB	#1.8	5L3Z 9A299 AA	\$99.91
139" WB	#1.8	8L3Z 9A213 B	\$84.58
145" WB, 163" WB			
w/Extended Range Tank	#1.8	8L3Z 9A213 D	\$84.58
w/o Extended Range Tank	#1.8	8L3Z 9A213 C	\$84.58

2006

Unleaded Fuel

To 8-8-05

126" WB, 133" WB	#1.8	5L3Z 9A299 AA	\$99.91
------------------	------	---------------	---------

2004 Ford New Pickup XLT Pickup F150

139" WB	#1.8	8L3Z 9A213 B	\$84.58
145" WB, 163" WB			
w/Extended Range Tank	#1.8	8L3Z 9A213 D	\$84.58
w/o Extended Range Tank	#1.8	8L3Z 9A213 C	\$84.58
From 8-9-05			
126" WB, 133" WB	#1.8	6L3Z 9A299 A	\$132.93
139" WB	#1.8	8L3Z 9A213 B	\$84.58
145" WB, 150" WB, 163" WB			
w/Extended Range Tank	#1.8	8L3Z 9A213 D	\$84.58
w/o Extended Range Tank	#1.8	8L3Z 9A213 C	\$84.58
Ethanol Fuel			
From 12-6-05			
126" WB, 133" WB	#1.8	6L3Z 9A299 F	\$55.44
139" WB	#1.8	8L3Z 9A213 F	\$84.58
145" WB, 150" WB, 163" WB			
w/Extended Range Tank	#1.8	6L3Z 9A299 K	\$66.56
w/o Extended Range Tank	#1.8	8L3Z 9A213 G	\$84.58

2007

Unleaded Fuel			
126" WB, 133" WB	#1.8	6L3Z 9A299 A	\$132.93
139" WB	#1.8	8L3Z 9A213 B	\$84.58
145" WB, 150" WB, 163" WB			
w/Extended Range Tank	#1.8	8L3Z 9A213 D	\$84.58
w/o Extended Range Tank	#1.8	8L3Z 9A213 C	\$84.58
Ethanol Fuel			
126" WB, 133" WB	#1.8	6L3Z 9A299 F	\$55.44
139" WB	#1.8	8L3Z 9A213 F	\$84.58
145" WB, 150" WB, 163" WB			
w/Extended Range Tank	#1.8	6L3Z 9A299 K	\$66.56
w/o Extended Range Tank	#1.8	8L3Z 9A213 G	\$84.58

2008

2004 Ford New Pickup XLT Pickup F150

To 12-3-07

Unleaded Fuel

126" WB, 133" WB	#1.8	6L3Z 9A299 A	\$132.93
139" WB	#1.8	8L3Z 9A213 B	\$84.58

145" WB, 150" WB, 163" WB

w/Extended Range Tank	#1.8	8L3Z 9A213 D	\$84.58
-----------------------	------	--------------	---------

w/o Extended Range Tank	#1.8	8L3Z 9A213 C	\$84.58
-------------------------	------	--------------	---------

Ethanol Fuel

126" WB, 133" WB	#1.8	6L3Z 9A299 F	\$55.44
139" WB	#1.8	8L3Z 9A213 F	\$84.58

145" WB, 150" WB, 163" WB

w/Extended Range Tank	#1.8	6L3Z 9A299 K	\$66.56
-----------------------	------	--------------	---------

w/o Extended Range Tank	#1.8	8L3Z 9A213 G	\$84.58
-------------------------	------	--------------	---------

From 12-4-07

Unleaded Fuel

126" WB, 133" WB	#1.8	8L3Z 9A299 E	\$42.78
139" WB	#1.8	8L3Z 9A299 F	\$42.27

145" WB, 150" WB, 163" WB

w/Extended Range Tank	#1.8	8L3Z 9A299 H	\$41.47
-----------------------	------	--------------	---------

w/o Extended Range Tank	#1.8	8L3Z 9A299 G	\$36.13
-------------------------	------	--------------	---------

Ethanol Fuel

126" WB, 133" WB	#1.8	8L3Z 9A299 A	\$25.24
139" WB	#1.8	8L3Z 9A299 B	\$36.13

145" WB, 150" WB, 163" WB

w/Extended Range Tank	#1.8	8L3Z 9A299 D	\$41.47
-----------------------	------	--------------	---------

w/o Extended Range Tank	#1.8	8L3Z 9A299 C	\$25.24
-------------------------	------	--------------	---------

(a) Included w/Fuel Pump Assy

#R&R Complete, Included in R&R Fuel Tank

11 O-Ring, Pump		4L3Z 9276 AA	\$15.11
12 Ring, Retainer		4L2Z 9C385 AA	\$11.00

2004 Ford New Pickup XLT Pickup F150

13 Plate, Skid

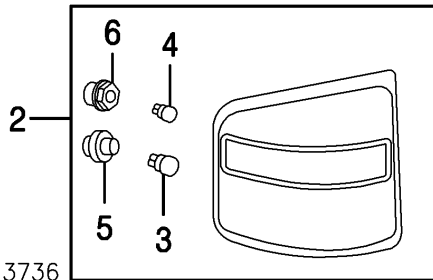
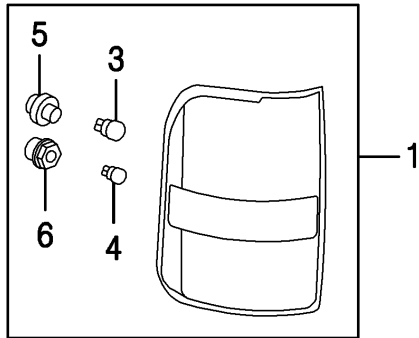
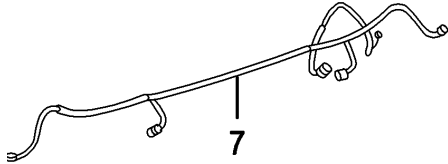
126" WB, 133" WB	04-0 #.6	7L3Z 9A147 A	\$216.77
	07-0 #.6	7L3Z 9A147 A	\$216.77
139" WB	#.6	7L3Z 9A147 B	\$287.40
145" WB, 150" WB, 163" WB			
w/Extended Range Tank	#.6	9L3Z 9A147 B	\$233.49
w/o Extended Range Tank	#.6	7L3Z 9A147 C	\$275.32

#Included in R&R Fuel Tank

2004 Ford New Pickup XLT Pickup F150

REAR LAMPS

COMBINATION LAMP



J02-13736

R&I Combination Lamp

Lamp Assy, Combination

1 Styleside

2004-05

2006

To 8-8-05

From 8-9-05

w/Harley-Davidson Model

w/o Harley-Davidson Model

2007-08

R	.2		
L	.2		
R	.2	5L3Z 13404 CA	\$46.00
L	.2	5L3Z 13405 CA	\$46.00
R	.2	5L3Z 13404 CA	\$46.00
L	.2	5L3Z 13405 CA	\$46.00
R	.2	6L3Z 13404 AA	\$69.45
L	.2	6L3Z 13405 AA	\$69.45
R	.2	6L3Z 13404 BA	\$59.53
L	.2	6L3Z 13405 BA	\$62.95

2004 Ford New Pickup XLT Pickup F150

w/Harley-Davidson Model	R	.2	N.A.	
	L	.2	N.A.	
w/o Harley-Davidson Model	R	.2	6L3Z 13404 BA	\$59.53
	L	.2	6L3Z 13405 BA	\$62.95
2 Flareside	R	.2	7L3Z 13404 BA	\$64.92
	L	.2	7L3Z 13405 BA	\$78.93
3 Bulb, Stop/Tail/Signal¶	R	#.2	F6DZ 13466 FA	\$2.97
	L	#.2	F6DZ 13466 FA	\$2.97
4 Bulb, Back-Up¶				
2004-05	R	#.2	F5DZ 13466 B	\$4.10
	L	#.2	F5DZ 13466 B	\$4.10
			2006	
To 8-8-05	R	#.2	F5DZ 13466 B	\$4.10
	L	#.2	F5DZ 13466 B	\$4.10
From 8-9-05				
w/Harley-Davidson Model	R	#.2	3W1Z 13466 AB	\$2.76
	L	#.2	3W1Z 13466 AB	\$2.76
w/o Harley-Davidson Model	R	#.2	F5DZ 13466 B	\$4.10
	L	#.2	F5DZ 13466 B	\$4.10
2007-08				
w/Harley-Davidson Model	R	#.2	3W1Z 13466 AB	\$2.76
	L	#.2	3W1Z 13466 AB	\$2.76
w/o Harley-Davidson Model	R	#.2	F5DZ 13466 B	\$4.10
	L	#.2	F5DZ 13466 B	\$4.10
5 Socket, Stop/Tail/Signal¶	R	#.2	2U5Z 13411 LA	\$10.78
	L	#.2	2U5Z 13411 LA	\$10.78
6 Socket, Back-Up¶	R	#.2	2U5Z 13411 RA	\$10.30
	L	#.2	2U5Z 13411 RA	\$10.30

¶Included w/Combination Lamp Assy

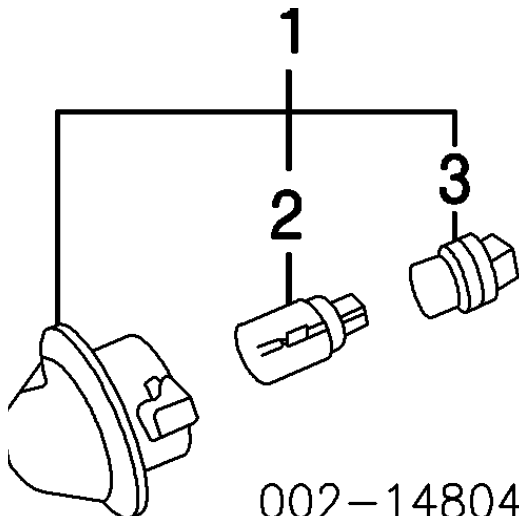
#R&R One Side Complete, Included in R&I/R&R Combination Lamp Assy

7 Harness, Rear Lamp (a)				
Styleside			4L3Z 13A409 AA	\$92.98
Flareside			4L3Z 13A409 BA	\$46.80

(a) Order by Application

LICENSE LAMP

2004 Ford New Pickup XLT Pickup F150



R&I License Plate Lamp

R #.1
L #.1

#Included in R&R or O/H Rear Bumper Assy

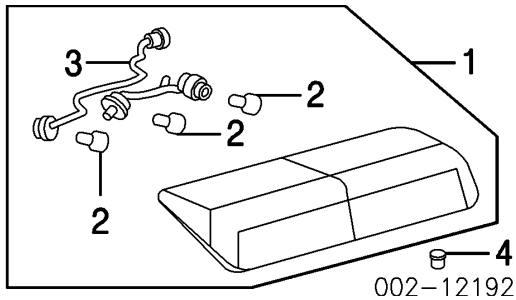
1 Lamp Assy, License	R	#.1	1L3Z 13550 BA	\$16.42
	L	#.1	1L3Z 13550 BA	\$16.42
2 Bulb, License Lamp¶	R	#.1	C2AZ 13466 C	\$0.80
	L	#.1	C2AZ 13466 C	\$0.80

#R&R One Side Complete, Included in R&R or O/H Rear Bumper Assy

3 Socket, License Lamp¶	R		F81Z 13411 AA	\$13.98
	L		F81Z 13411 AA	\$13.98

¶Included w/License Lamp Assy

HIGH MOUNT STOP LAMP



1 Lamp Assy, Stop	.2		7L3Z 13A613 B	\$65.63
2 Bulb, Stop Lamp (3)¶			E6DZ 13466 B	\$3.50
3 Harness, Lamp¶			4L3Z 13A625 AA	\$26.17

¶Included w/Stop Lamp Assy

2004 Ford New Pickup XLT Pickup F150

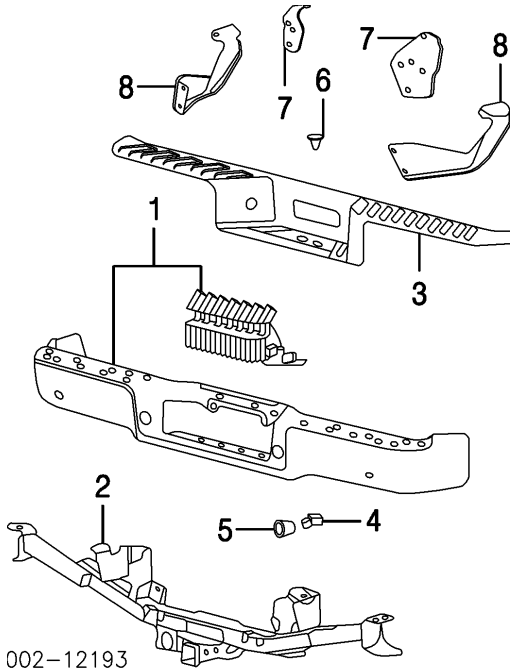
4 Clip, Mounting	R	* W704823 S439	\$1.50
	L	* W704823 S439	\$1.50

2004 Ford New Pickup XLT Pickup F150

REAR BUMPER

Procedures 27 and 28

STYLESIDE



002-12193

Refinish Rear Bumper 2.2

R&I Rear Bumper .4

O/H Rear Bumper Assy (Includes R&I) 1.2

Add to R&I/R&R or O/H Rear Bumper

w/Trailer Hitch #.8

#Includes R&I Trailer Hitch

Add to R&R or O/H Rear Bumper Assy

w/Rear Object Sensors .3

NOTE: All Parts in this section are included in overhaul unless noted otherwise.

1 Bumper, Rear

2004-05

Chrome

w/Rear Object Sensors 1.2 4L3Z 17906 BA \$782.78

w/o Rear Object Sensors 1.2 4L3Z 17906 AB \$451.00

Paint to Match

w/Rear Object Sensors 1.2 4L3Z 17906 HA \$444.63

2004 Ford New Pickup XLT Pickup F150

w/o Rear Object Sensors	1.2	4L3Z 17906 GA	\$575.00
		2006	
To 8-8-05			
Chrome			
w/Rear Object Sensors	1.2	4L3Z 17906 BA	\$782.78
w/o Rear Object Sensors	1.2	4L3Z 17906 AB	\$451.00
Paint to Match			
w/Rear Object Sensors	1.2	4L3Z 17906 HA	\$444.63
w/o Rear Object Sensors	1.2	4L3Z 17906 GA	\$575.00
From 8-9-05			
Chrome			
w/Rear Object Sensors	1.2	5L3Z 17906 CA	\$484.87
w/o Rear Object Sensors	1.2	8L3Z 17906 B	\$446.52
Paint to Match			
w/Rear Object Sensors	1.2	8L3Z 17906 EPTM	\$458.55
w/o Rear Object Sensors	1.2	8L3Z 17906 DPTM	\$456.37
		2007	
Chrome			
w/Rear Object Sensors	1.2	5L3Z 17906 CA	\$484.87
w/o Rear Object Sensors	1.2	8L3Z 17906 B	\$446.52
Paint to Match			
w/Rear Object Sensors	1.2	8L3Z 17906 EPTM	\$458.55
w/o Rear Object Sensors	1.2	8L3Z 17906 DPTM	\$456.37
		2008	
Chrome			
w/Rear Object Sensors	1.2	8L3Z 17906 C	\$438.80
w/o Rear Object Sensors	1.2	8L3Z 17906 B	\$446.52
Paint to Match			
w/Rear Object Sensors	1.2	8L3Z 17906 EPTM	\$458.55
w/o Rear Object Sensors	1.2	8L3Z 17906 DPTM	\$456.37
Nut, Mounting (a)¶		* W708634 S440	\$3.00
¶Non-Reusable Part			
(a) As Required			

2004 Ford New Pickup XLT Pickup F150

2 Hitch/Reinforcement-See Frame Section

3 Pad, Bumper

w/Towing Pkg

w/Rear Object Sensors

.2 7L3Z 17B807 D \$141.93

2007

w/o Rear Object Sensors

.2 7L3Z 17B807 B \$141.93

w/o Towing Pkg

.2 5L3Z 17B807 AA \$141.93

4 Sensor, Rear Object (4)

3F2Z 15K859 BA \$118.32

5 Bracket, Sensor

Inner

R

4L3Z 15A862 AA \$34.00

L

4L3Z 15A862 BA \$34.00

Outer

Monotone

R

4L3Z 15A862 CB \$34.00

L

4L3Z 15A862 DB \$34.00

Two Tone

R

4L3Z 15A862 DA \$34.00

L

4L3Z 15A862 CA \$34.00

2005

6 Insert, Bumper

5L3Z 17D754 AA \$16.88

7 Brkt, Inner Bumper-See Frame Section

8 Brkt, Outer Bumper

w/Towing Pkg

2004-05

R

4L3Z 17788 AA \$96.60

L

4L3Z 17787 AA \$96.60

2006

To 8-8-05

R

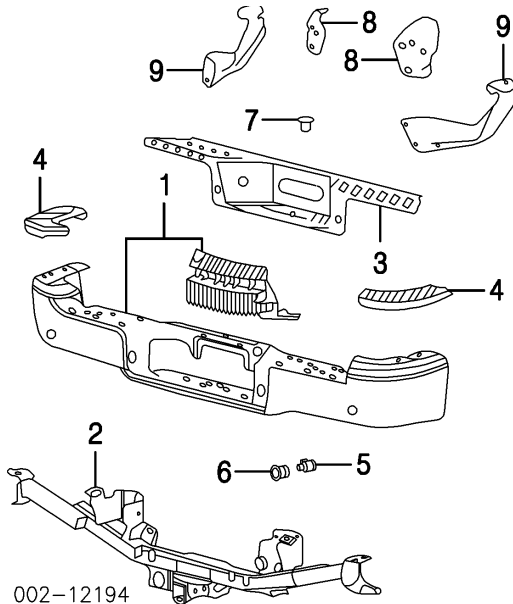
4L3Z 17788 AA \$96.60

L

4L3Z 17787 AA \$96.60

FLARESIDE

2004 Ford New Pickup XLT Pickup F150



002-12194

Refinish Rear Bumper	2.2
R&I Rear Bumper	.4
O/H Rear Bumper Assy (Includes R&I)	1.2

Add to R&I/R&R or O/H Rear Bumper

w/Trailer Hitch	#.8
#Includes R&I Trailer Hitch	

Add to R&R or O/H Rear Bumper Assy

w/Rear Object Sensors	.3
-----------------------	----

NOTE: All Parts in this section are included in overhaul unless noted otherwise.

1 Bumper, Rear			
Chrome			
w/Rear Object Sensors	1.2	4L3Z 17906 NA	\$679.50
w/o Rear Object Sensors	1.2	4L3Z 17906 MA	\$601.93
Paint to Match			
w/Rear Object Sensors	1.2	4L3Z 17906 KA	\$535.83
w/o Rear Object Sensors	1.2	4L3Z 17906 JA	\$752.63
Nut, Mounting (a)†		* W708634 S440	\$3.00
†Non-Reusable Part			
(a) As Required			

